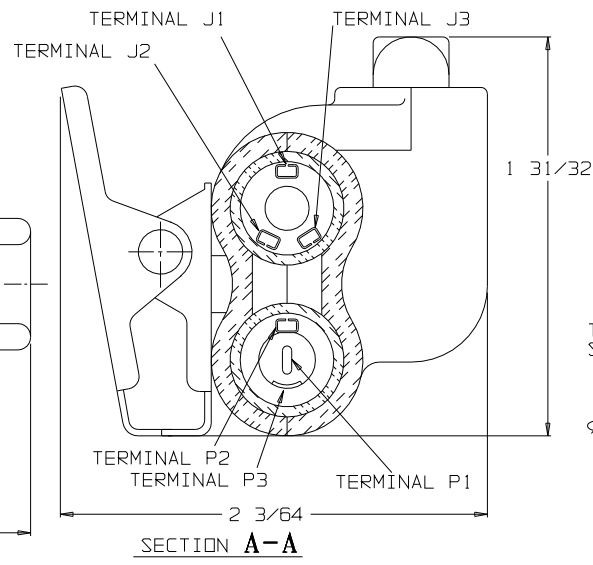
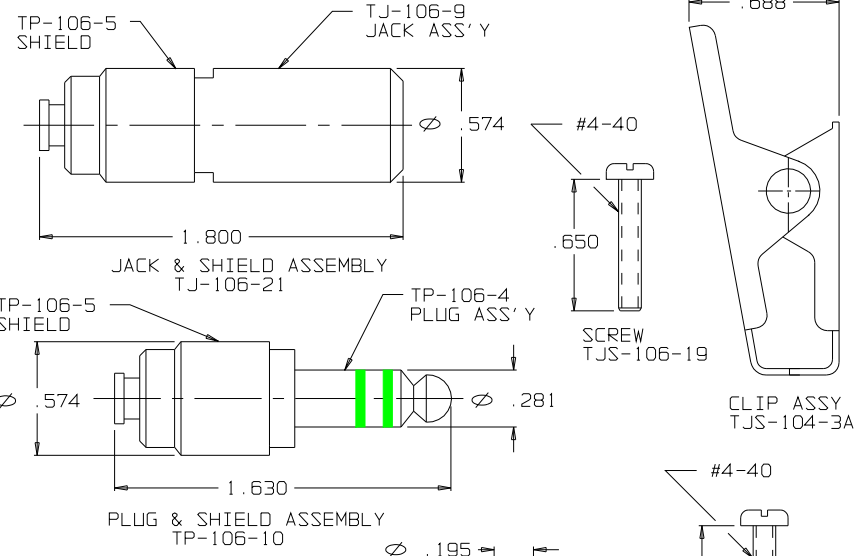


VIEW WITH HALF SHELL REMOVED

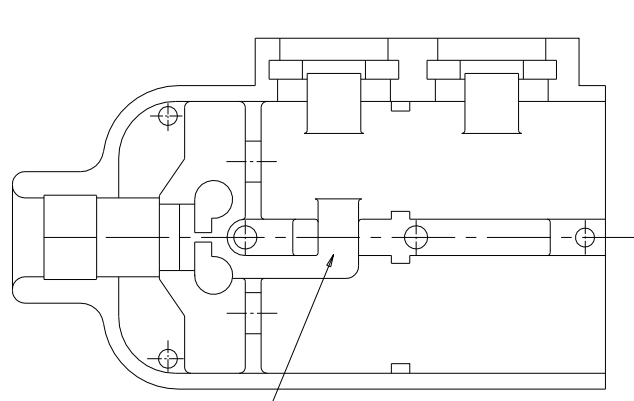


SECTION A-A

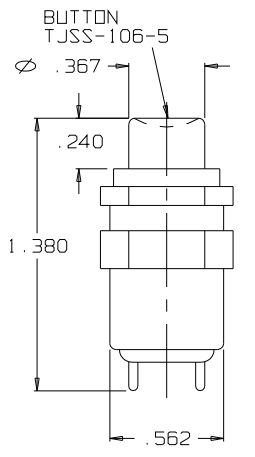
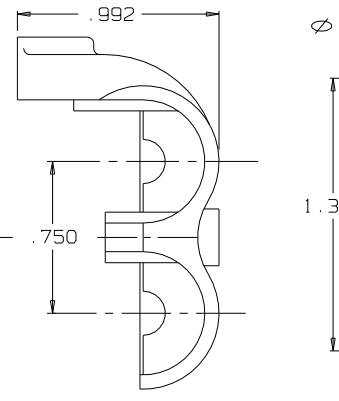
C TJSS-106HC



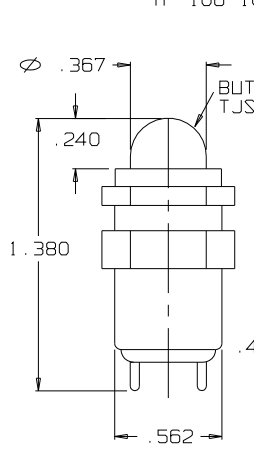
CLIP ASSY TJSS-104-3A



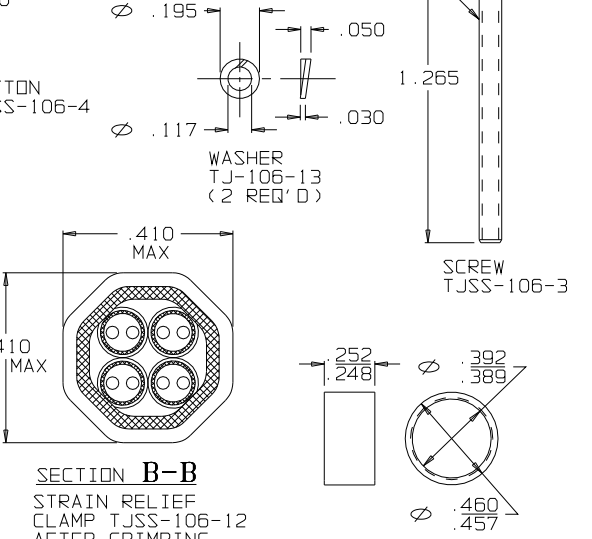
SHELL, HALF TJSS-106-2HC



SWITCH NX301LB1B



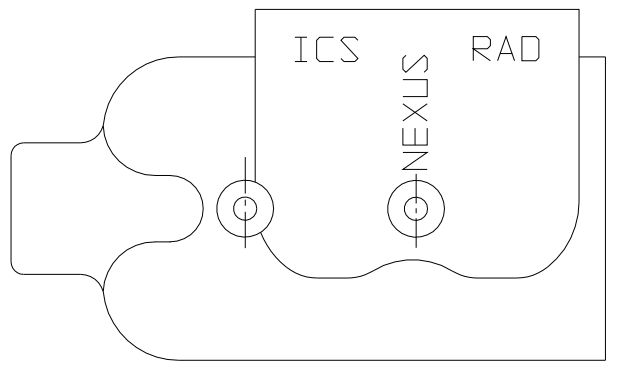
SWITCH SPND



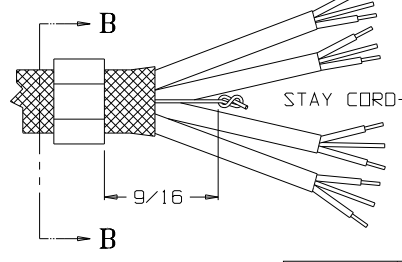
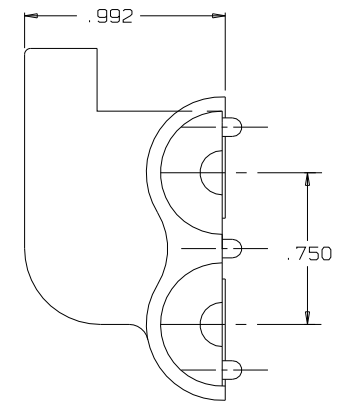
SECTION B-B

STRAIN RELIEF CLAMP TJSS-106-12 AFTER CRIMPING USE DANIELS HX4 CRIMP TOOL AND Y146 DIE SET SCALE 4:1

RING, STRAIN RELIEF TJSS-106-12



SHELL, HALF TJSS-106-1HC



STAY CORD-VARNISH KNOT

THIS DOCUMENT CONTAINS PROPRIETARY INFORMATION OF NEXUS, INCORPORATED AND SUCH INFORMATION MAY NOT BE DISCLOSED TO OTHERS FOR ANY PURPOSE OR USED FOR ANY PURPOSE WITHOUT THE WRITTEN CONSENT OF NEXUS.

DWN BY: EWT	DATE: 12/18/01	MATERIAL: _____
CHECKED BY:	DATE:	FINISH: _____
APPR. BY:	DATE:	WEIGHT: _____ SCALE: 2:1
TITLE: JACK-TELEPHONE-BIAXIAL SHIELDED (6) CONDUCTOR WITH TWO SWITCHES, HEX CRIMP		SIZE: _____
DO NOT SCALE DWG.		SHEET 1 OF 1

A	ADD DANIELS HX4 CRIMP TOOL AND Y146 DIE SET	026	9/18/09	GPH	UNLESS OTHERWISE SPECIFIED DIMENSIONS ARE IN INCHES TOLERANCES ON FRACTIONS DECIMALS ANGLES
-	PRELIMINARY		12/18/01	EWT	
LET.	REVISION	EN #	DATE	CHK	

NEXUS STAMFORD, CONN
 SIZE: _____
C TJSS-106HC