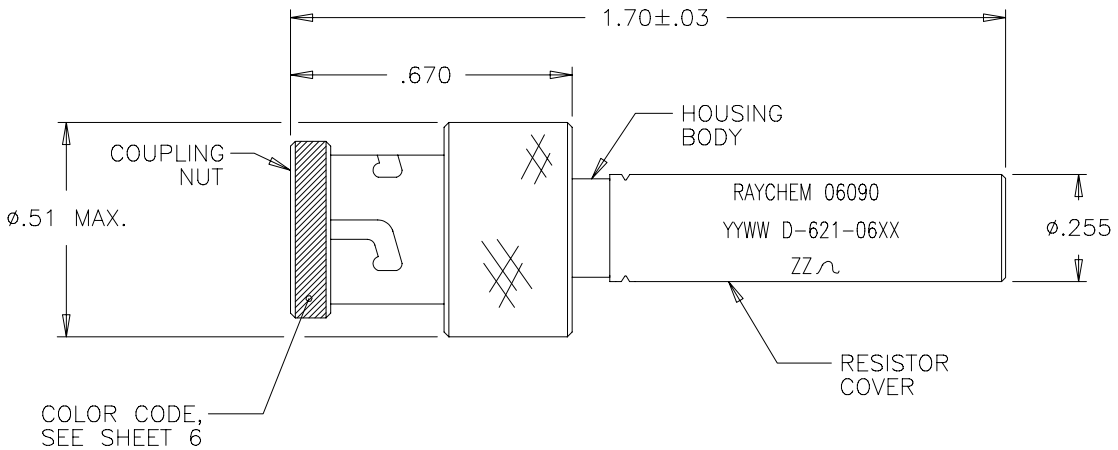


REVISIONS			
LTR	DESCRIPTION	DATE	APPROVED
F	REVISED PER ECN T-12846	89 SEPT 9	Z. TEMAN
G	REVISED PER ECN# T-14157	90 APR 10	Z. TEMAN
H	REVISED PER ECN# T-21490	6/10/97	Z. TEMAN

\* (-L) ADDED TO D-621-04XX NUMBER INDICATES LANYARD, SEE SHEETS 3 AND 4.

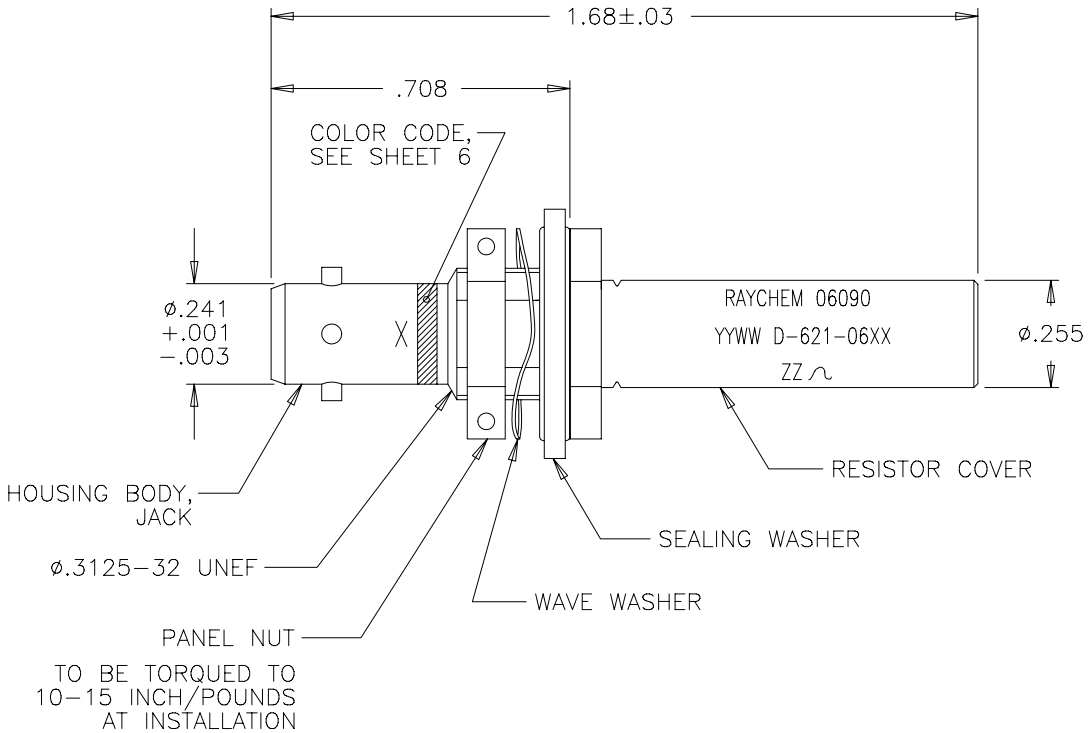


(TRIAxIAL CONNECTOR, PLUG WEIGHT: 16 GRAMS MAX.)

**If this document is printed it becomes uncontrolled.  
Check with the web for latest revision.**

## SPECIFICATION CONTROL DRAWING

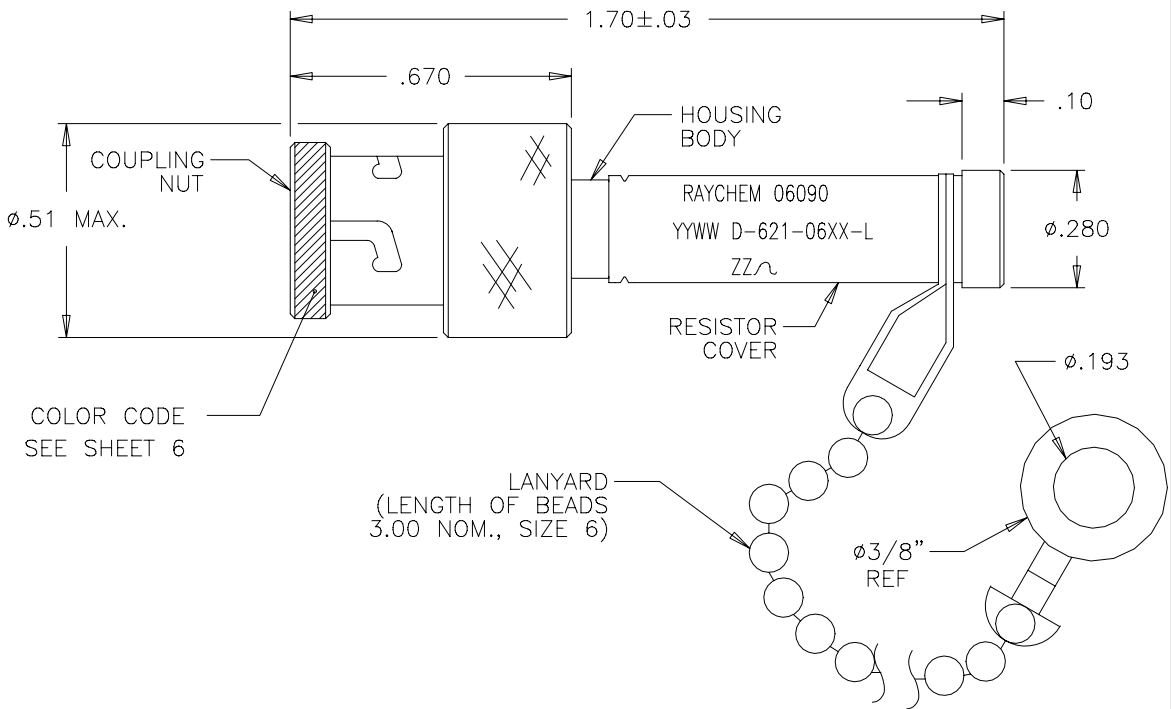
UNLESS OTHERWISE SPECIFIED DIMENSIONS ARE IN INCHES. METRIC DIMENSIONS ARE IN BRACKETS.	DRAWN	J.B.K.	89 JULY 21	<i>Raychem</i>	RAYCHEM CORPORATION 300 CONSTITUTION DRIVE MENLO PARK, CALIFORNIA 94025		
	CHECKED				TITLE	CORROSION RESISTANT CONNECTOR, TRIAxIAL, BAYONET COUPLED, RESISTOR TERMINATOR	
	APPROVED			APPROVED	Z.TEMAN		
	DECIMALS .XXX ± .005 { — mm } .XX ± .01 { — mm }	CAD NAME	T21490a		SIZE	CODE IDENT. NO.	DWG. NO.
ANGLES .X ± 1°	THIRD ANGLE PROJECTION			A	06090	D-621-0653/0684[-L]	H
WEIGHT — lbs { — g MAX. }	DO NOT SCALE THIS DRAWING			SHEET 1 OF 7			



(TRIAXIAL CONNECTOR, JACK WEIGHT: 14 GRAMS MAX.)

**If this document is printed it becomes uncontrolled.  
Check with the web for latest revision.**

CAD NAME: T21490b	DRAWN	J.B.K.	89 JULY 21	SIZE	CODE IDENT. NO.	DWG. NO.	REV
	ISSUED			A	06090	D-621-0653/0684[-L]	H
DO NOT SCALE THIS DRAWING						SHEET 2 OF 7	



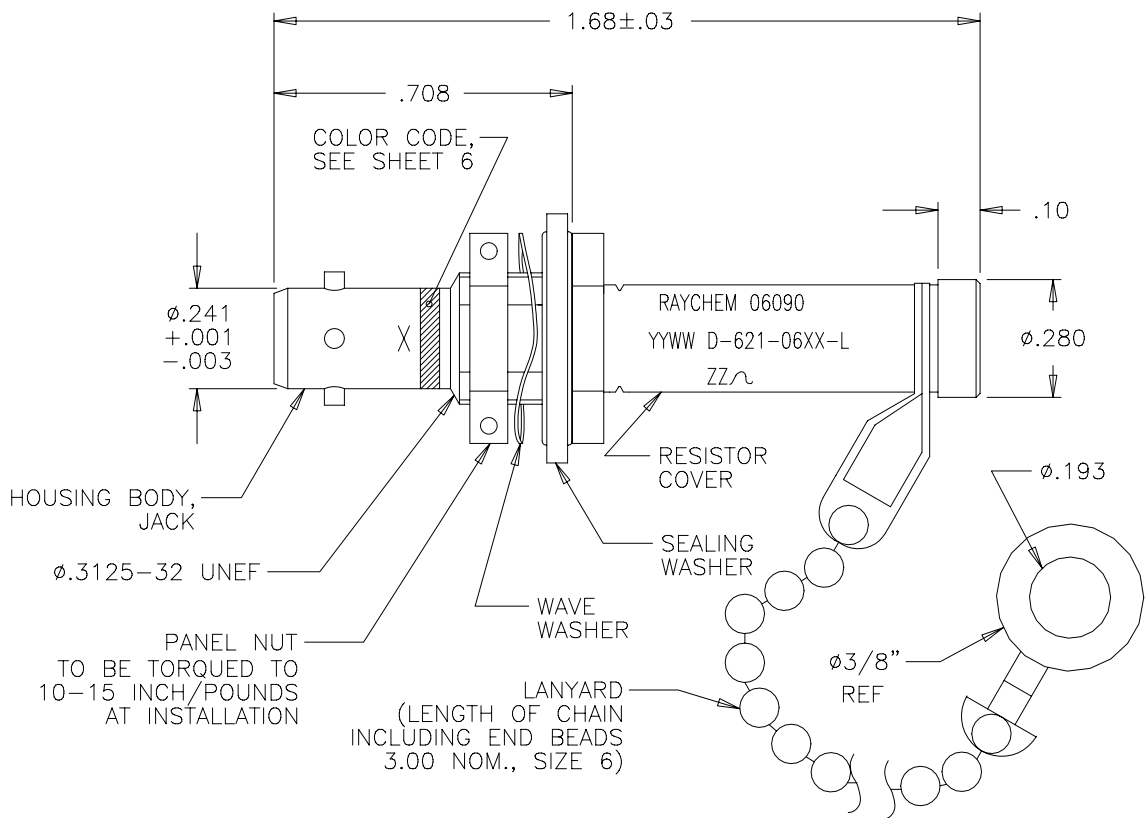
(TRIAxIAL CONNECTOR, WITH LANYARD, PLUG WEIGHT: 21 GRAMS MAX.)

If this document is printed it becomes uncontrolled.  
Check with the web for latest revision.

CAD NAME: T21490c

DRAWN	J.B.K.	89 AUG 25	SIZE	CODE IDENT. NO.	DWG. NO.	REV
ISSUED			A	06090	D-621-0653/0684(-L)	H
DO NOT SCALE THIS DRAWING					SHEET 3 OF 7	





TRIAxIAL CONNECTOR, WITH LANYARD, JACK WEIGHT: 19 GRAMS MAX.)

**If this document is printed it becomes uncontrolled.  
Check with the web for latest revision.**

CAD NAME: T21490d	DRAWN	J.B.K.	89 JULY 21	SIZE	CODE IDENT. NO.	DWG. NO.	REV
	ISSUED			A	06090	D-621-0653/0684[-L]	H
DO NOT SCALE THIS DRAWING						SHEET 4 OF 7	

1.0 MATERIALS AND FINISHES

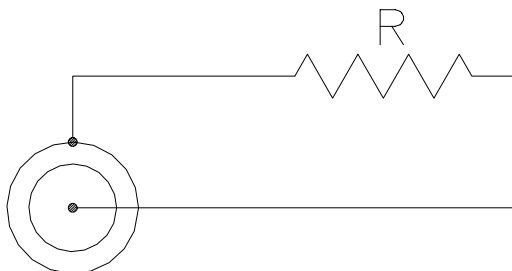
- 1.1 HOUSING BODY: BECU PER ASTM B 196, TIN PLATED PER MIL-T-10727, OVER NICKEL PER QQ-N-290
- 1.1.1 INSULATION: POLYETHERSULFONE
- 1.2 COUPLING NUT: (PLUG) BECU PER ASTM B 196, TIN PLATED PER MIL-T-10727, OVER NICKEL PER QQ-N-290
- 1.2.1 INTERFACIAL SEAL: SILICONE RUBBER
- 1.3 PANEL NUT: (JACK) BRASS ALLOY PER ASTM B16, TIN PLATED PER MIL-T-10727, OVER NICKEL PER QQ-N-290.
- 1.4 WAVE WASHER: (JACK) BECU PER ASTM B194, TIN PLATED PER MIL-T-10727 OVER NICKEL PER QQ-N-290
- 1.5 SEALING WASHER: (JACK) SILICONE RUBBER (AMS 3304), STAINLESS STEEL PER MIL-S-5059, PASSIVATED PER QQ-P-35.
- 1.6 RESISTOR COVER: 300 SERIES STAINLESS STEEL PER ASTM A582, TIN PLATED PER MIL-T-10727, OVER NICKEL PER MIL-C-26074
- 1.7 LANYARD: CORROSION RESISTANT STEEL, TIN PLATED PER MIL-T-10727, OVER NICKEL PER QQ-N-290

2.0 PERFORMANCE CAPABILITIES

2.1 REFER TO RAYCHEM SPECIFICATION D-6025 (SUPERSEDES D-6050) AND D-6020 FOR PERFORMANCE AND QUALIFICATION REQUIREMENTS.

2.2 GENERAL CHARACTERISTICS.

- 2.2.1 OPERATING TEMPERATURE: -65°C TO 125°C
- 2.2.2 INSULATION RESISTANCE: GREATER THEN 5K MEG \*
- 2.2.3 DIELECTRIC STRENGTH: 900 VAC AT 60 Hz \*
- 2.2.4 POWER RATING: 1 WATT MAX.
- 2.2.5 TERMINATOR RESISTANCE: SEE RESISTANCE VALUES, SHEET 7 OF 7
- 2.2.6 SALT SPRAY CORROSION RESISTANCE: 500 HOURS



\* BETWEEN INNER COAXIAL CONTACT AND OUTER HOUSING  
 R = SEE SHEET 7 OF 7 FOR RESISTANCE VALUE ±2%

**If this document is printed it becomes uncontrolled.  
 Check with the web for latest revision.**

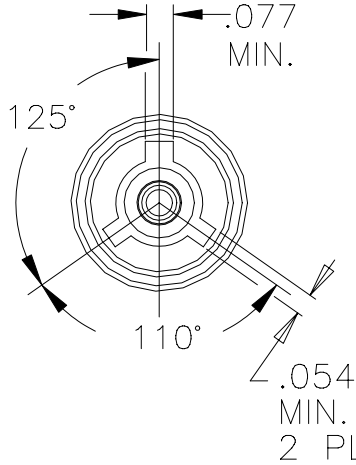
CAD NAME: T21490e	DRAWN	J.B.K.	89 JULY 21	SIZE	CODE IDENT. NO.	DWG. NO.	REV
	ISSUED			A	06090	D-621-0653/0684[-L]	H
DO NOT SCALE THIS DRAWING						SHEET 5 OF 7	

CAD NAME T21490F

ISSUED	DRAWN
	J.B.K.
	89 JULY 21

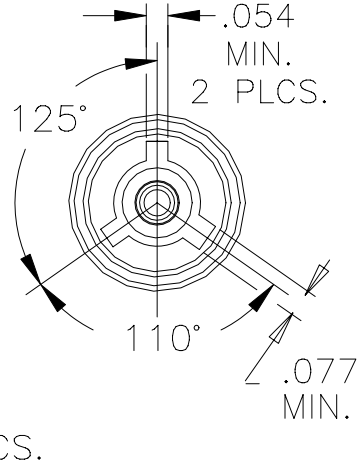
DO NOT SCALE THIS DRAWING	SIZE	CODE IDENT. NO.	DWG. NO.	REV
	A	06090	D-621-0653/0684[-]	H
				SHEET 6 OF 7

### INTERFACE "A" PLUG



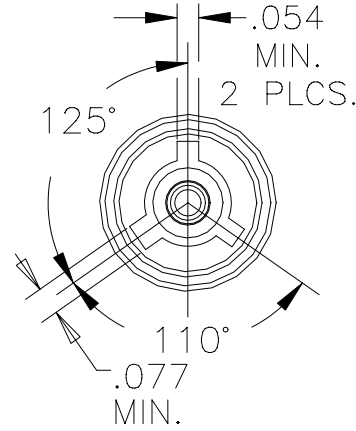
COLOR CODE: RED

### INTERFACE "B" PLUG



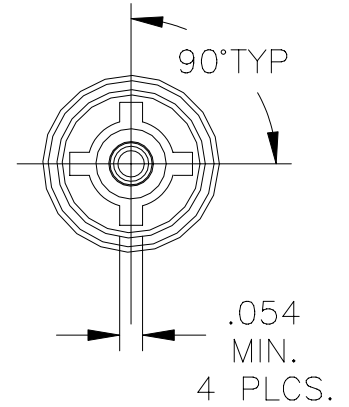
COLOR CODE: WHITE

### INTERFACE "C" PLUG



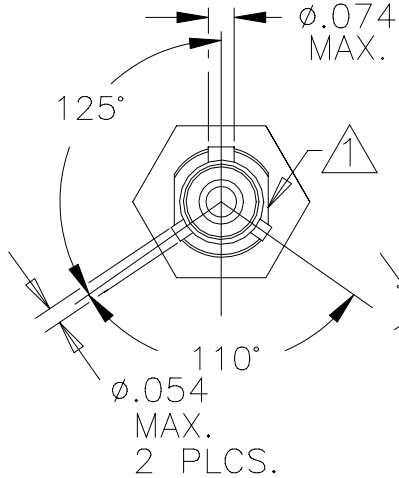
COLOR CODE: GREEN

### INTERFACE "D" PLUG

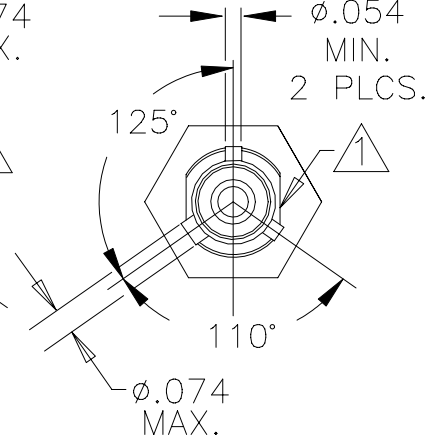


NO COLOR CODE

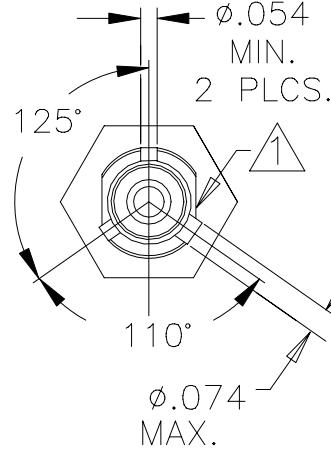
### JACK



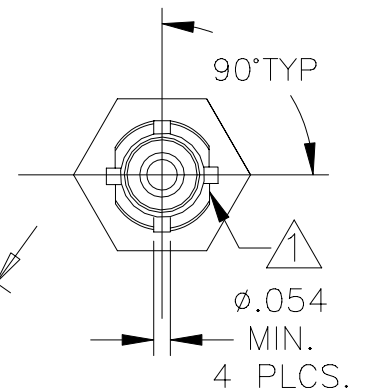
### JACK



### JACK



### JACK



**If this document is printed it becomes uncontrolled. Check with the web for latest revision.**

#### NOTES:

- ▲ MAJOR KEY ORIENTATION WITH RESPECT TO FLATS IS NOT CONTROLLED.

SEE SHEET 1 FOR REVISION

NOTES:

SEE SHEET 1 FOR REVISION

△ SUFFIX -L INDICATES PARTS WITH LANYARD, SEE SHEETS 3 AND 4.

DRAWING NO.	CONNECTOR	DESCRIPTION		RESISTANCE VALUE ±2%
		INTERFACE	INSTALLED CONTACT	
D-621-0653(-L)	PLUG	"A"	PIN	78 OHMS
D-621-0654(-L)	PLUG	"B"	PIN	78 OHMS
D-621-0655(-L)	PLUG	"C"	PIN	78 OHMS
D-621-0656(-L)	PLUG	"D"	PIN	78 OHMS
D-621-0657(-L)	PLUG	"A"	PIN	3000 OHMS
D-621-0658(-L)	PLUG	"B"	PIN	3000 OHMS
D-621-0659(-L)	PLUG	"C"	PIN	3000 OHMS
D-621-0660(-L)	PLUG	"D"	SOCKET	3000 OHMS
D-621-0661(-L)	JACK	"A"	SOCKET	78 OHMS
D-621-0662(-L)	JACK	"B"	SOCKET	78 OHMS
D-621-0663(-L)	JACK	"C"	SOCKET	78 OHMS
D-621-0664(-L)	JACK	"D"	SOCKET	78 OHMS
D-621-0665(-L)	JACK	"A"	SOCKET	3000 OHMS
D-621-0666(-L)	JACK	"B"	SOCKET	3000 OHMS
D-621-0667(-L)	JACK	"C"	SOCKET	3000 OHMS
D-621-0668(_L)	JACK	"D"	SOCKET	3000 OHMS
D-621-0669(-L)	PLUG	"A"	SOCKET	78 OHMS
D-621-0670(-L)	PLUG	"B"	SOCKET	78 OHMS
D-621-0671(-L)	PLUG	"C"	SOCKET	78 OHMS
D-621-0672(-L)	PLUG	"D"	SOCKET	78 OHMS
D-621-0673(-L)	PLUG	"A"	SOCKET	3000 OHMS
D-621-0674(-L)	PLUG	"B"	SOCKET	3000 OHMS
D-621-0675(-L)	PLUG	"C"	SOCKET	3000 OHMS
D-621-0676(-L)	PLUG	"D"	PIN	3000 OHMS
D-621-0677(-L)	JACK	"A"	PIN	78 OHMS
D-621-0678(-L)	JACK	"B"	PIN	78 OHMS
D-621-0679(-L)	JACK	"C"	PIN	78 OHMS
D-621-0680(-L)	JACK	"D"	PIN	78 OHMS
D-621-0681(-L)	JACK	"A"	PIN	3000 OHMS
D-621-0682(-L)	JACK	"B"	PIN	3000 OHMS
D-621-0683(-L)	JACK	"C"	PIN	3000 OHMS
D-621-0684(-L)	JACK	"D"	PIN	3000 OHMS

**If this document is printed it becomes uncontrolled.  
Check with the web for latest revision.**

CAD NAME: T21490g

DRAWN	J.B.K.	89 AUG 25	SIZE A	CODE IDENT. NO. 06090	DWG. NO. D-621-0653/0684(-L)	REV H
ISSUED			DO NOT SCALE THIS DRAWING		SHEET 7 OF 7	