

PART NAME: KNOB

SCALE: 1:1

DATE: 10/22/96 DR. BY HD

THIS DRAWING IS THE PROPERTY OF DAVIES MOLDING COMPANY, IS SUBMITTED SOLELY AS A DESIGN OR ENGINEERING PROJECT. WE ACCEPT NO RESPONSIBILITY WHATSOEVER FOR THE PRACTICAL APPLICATION OF THE PIECES MADE TO THIS DESIGN.

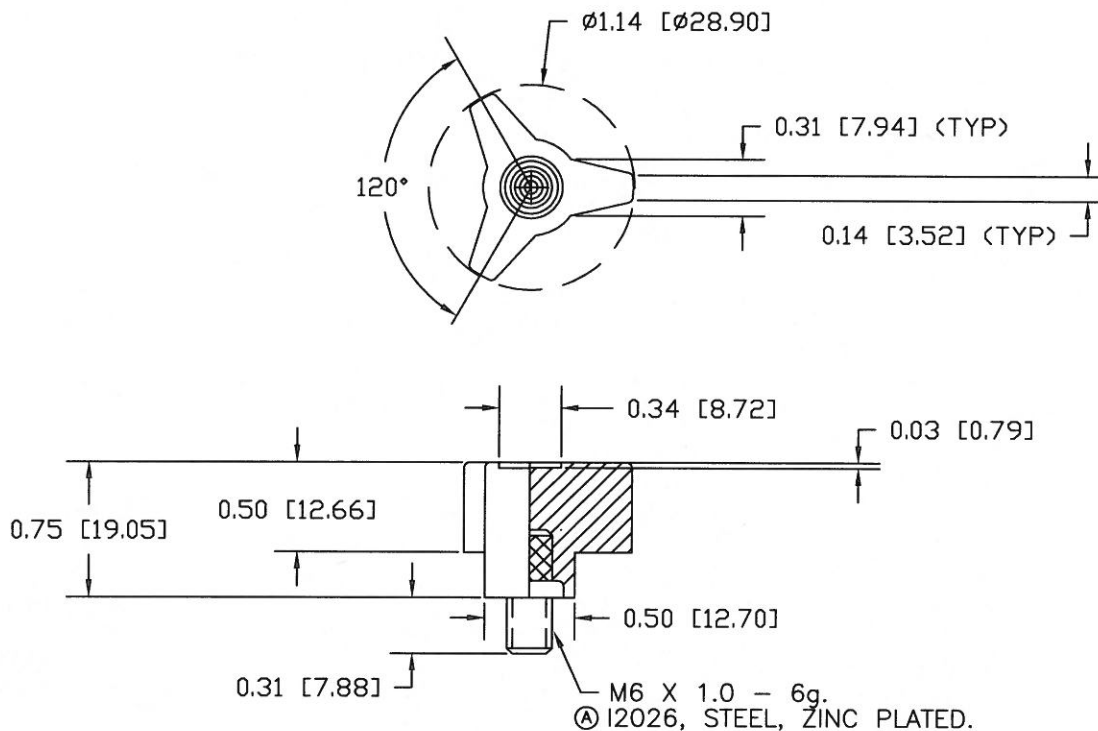


DESIGNERS & MANUFACTURERS OF KNOBS, HANDLES, CASES & CUSTOM PLASTIC COMPONENTS

P/N 3025GL

M NO. 3025

CAVITY	3025
PLUNGER	3025
SLEEVE	3025-2
SHIMS	1/4+1/8
① INSERT	I2026
PLUNGER PIN	3025-A



NOTE : ABOVE PART USING # 3025-2 SLEEVES ONLY.  
(TOOL ORDER # 5698)

MATERIAL: G.P. PHENOLIC (B11)  
COLOR: BLACK

TOLERANCES: UNLESS OTHERWISE SPECIFIED	DO NOT SCALE DRAWING			
DECIMALS: X.XXX ± .005 X.XX ± .015	MM: X.XX ± 0.15MM X.X ± 0.4MM	A	WAS I2033	JAM 6/26/01
FRACTIONS ± 1/64	ANG. ± 1°	CHANGES		