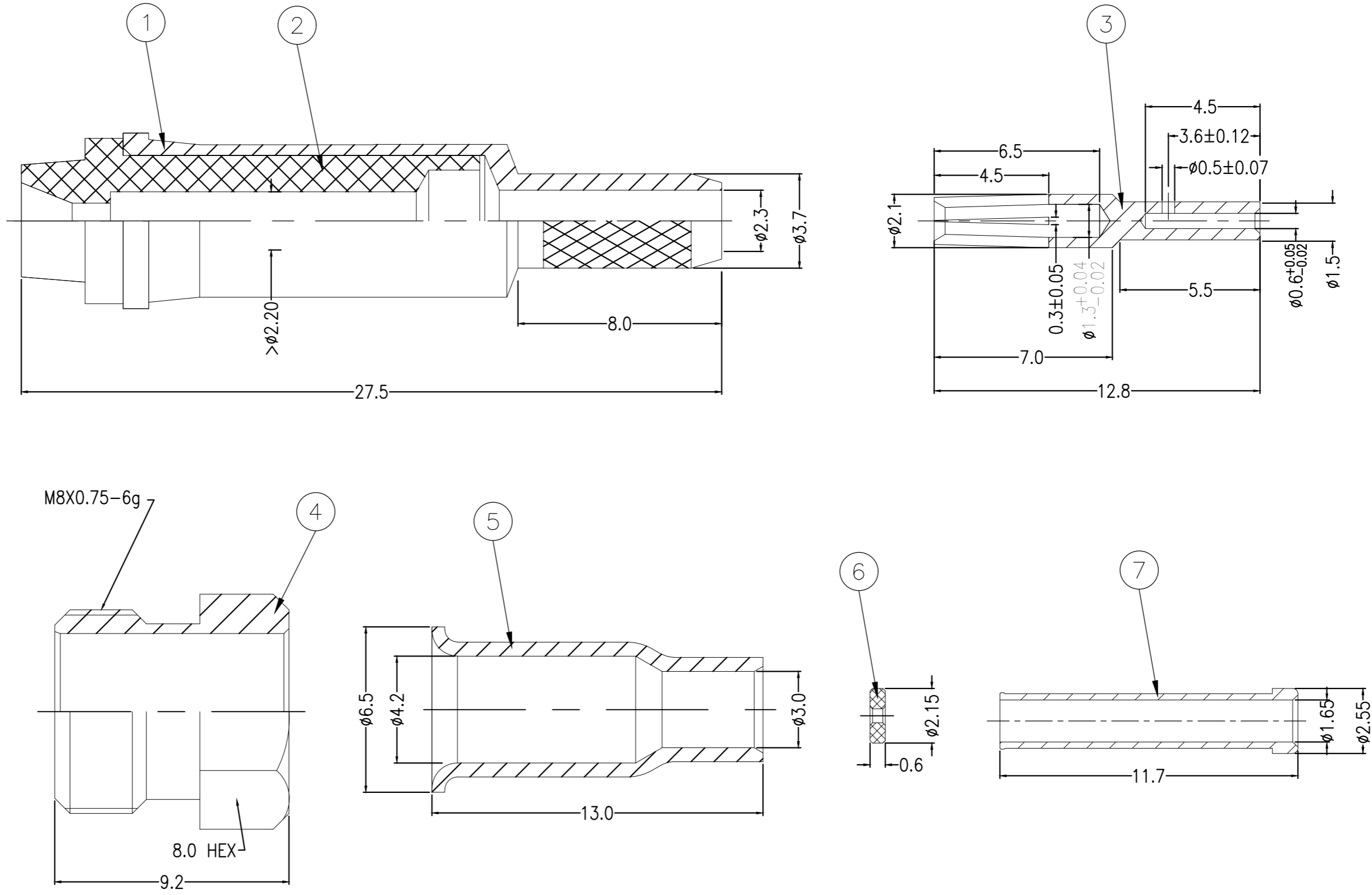


REVISIONS

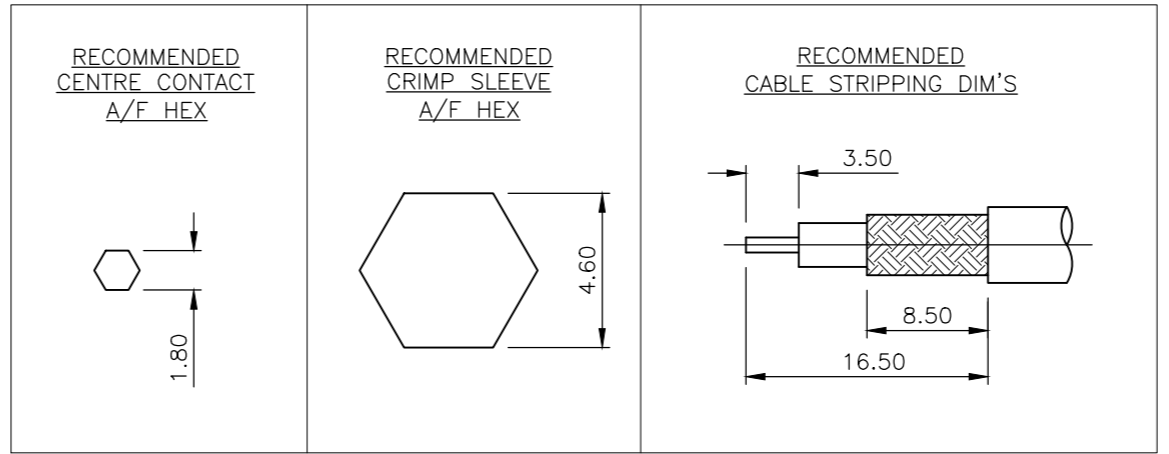
P	LTR	DESCRIPTION	DATE	DWN	APVD
D	ECO-18-009333		11MAY2018	RZ	RS

NOTES

- 1 SINGLE PACK IN ACCORDANCE WITH AMP SPEC 107-3275
- 2 50 TRAY PACK IN ACCORDANCE WITH AMP SPEC 107-3275
- 3 HAND TOOL: 9-1478240-0
- 4 DIE SET: 9-1478248-0
- 5 SUITABEL CABLE: RG174A/U, 188A/U, 316/U, URM95
- 6 FOR TECHNICAL DATA REFER TO YOUR LOCAL TE CONNECTIVITY SALES OFFICE
- 7 ALL DIMENSIONS ARE NOMINAL FOR REFERENCE ONLY UNLESS OTHERWISE STATED



ELECTRICAL	MECHANICAL	ENVIRONMENTAL
Impedance (Ohm) <u>50</u>	Interface Dimension Fig. <u>N/A</u>	TEMPERATURE RANGE <u>-55°C TO + 85°C</u>
Frequency Range (GHz) <u>DC to 2GHz</u>	Recommended Coupling Torque <u>N/A</u>	ROHS <u>COMPLIANT</u>
Voltage Rating (Peak) <u>@ Sea Level 100 V RMS</u>	Force to Engage and Disengage (In/lbs) <u>N/A MAX</u>	
Insulation Resistance (MIN.) <u>5000 M ohms</u>	Center Contact Captivation Axial (Lbs) <u>N/A</u> Radial (In/Oz) <u>N/A</u>	
Contact Resistance (Milliohms MAX) Center Contact <u>10.0</u> Outer Contact <u>5.0</u>	Cable Retention Axial (N) <u>85 MINI</u>	
Dielectric Withstand Voltage: <u>1000 V RMS Max</u>	Mating cycles <u>500</u> cycles	
Insertion Loss : <u>0.2 dB @1.8GHz</u>		
VSWR: <u>1.3 MAX</u>		
RF leakage: <u>N/A</u>		
3rd Intermodulation: <u>N/A</u>		



QTY	QTY PER ASSY	DESCRIPTION	MATERIAL	ITEM	
1	1	Ni 2.5um	BRASS	TUBE	7
1	1	-	PTFE	INSULATOR	6
1	1	Ni 2.5um	BRASS	FERRULE	5
1	1	Ni 2.5um	BRASS	NUT	4
1	1	Au 0.08um	TIN BRONZE	CONTACT PIN	3
1	1	-	DELTRIN	INSULATION	2
1	1	Ni 2.5um	BRASS	BODY	1
6--0	1--0	PLATING	MATERIAL	DESCRIPTION	ITEM

THIS DRAWING IS A CONTROLLED DOCUMENT.		DWN <u>J.SANDWELL</u> 25AUG06	
DIMENSIONS: mm		CHK <u>S.PARLOW</u> 25AUG06	
TOLERANCES UNLESS OTHERWISE SPECIFIED:		APVD <u>F.WHEELER-KING</u> 25AUG06	
0 PLC ± -		PRODUCT SPEC	
1 PLC ± 0.2		APPLICATION SPEC	
2 PLC ± 0.1		WEIGHT	
3 PLC ± 0.05		<u>0.000000</u>	
4 PLC ± -		CUSTOMER DRAWING	
ANGLES ± 3		FINISH	
SEE TABLE		SEE TABLE	

<b>STE</b> TE Connectivity Ltd.			
NAME <u>FME STRAIGHT JACK CRIMP 50 OHM</u>			
<u>RG174A/U, 188A/U, 316/U, URM95, KX3B, KX22A</u>			
SIZE	CAGE CODE	DRAWING NO	RESTRICTED TO
<u>A2</u>	<u>00779</u>	<u>C=1337551</u>	-
SCALE <u>NTS</u>		SHEET <u>1 of 1</u>	
REV <u>D</u>			