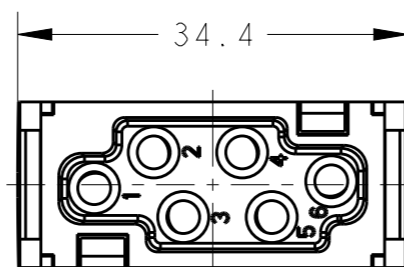
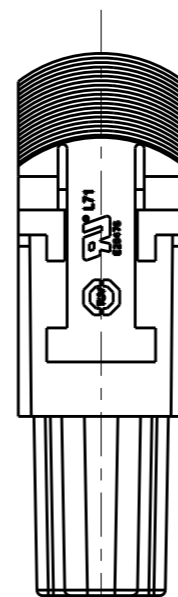
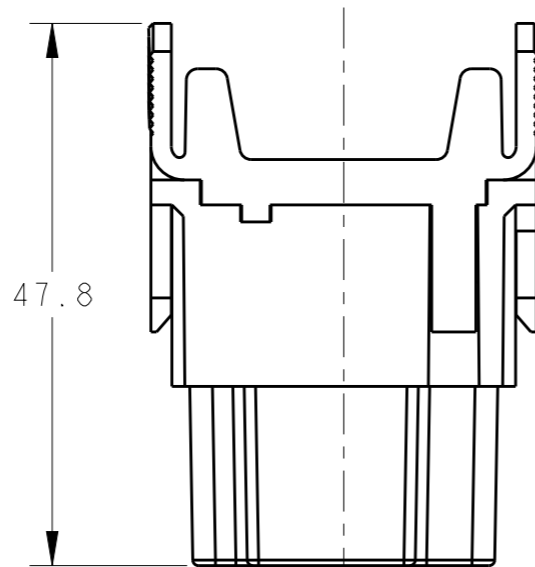
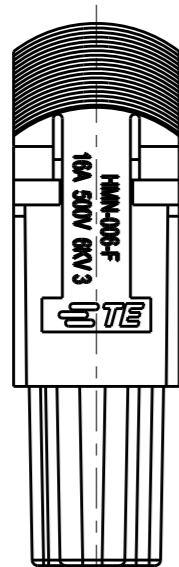
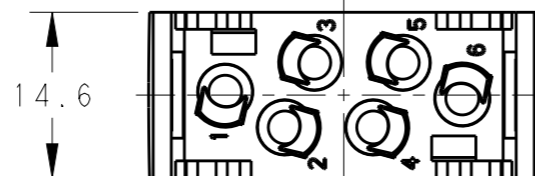
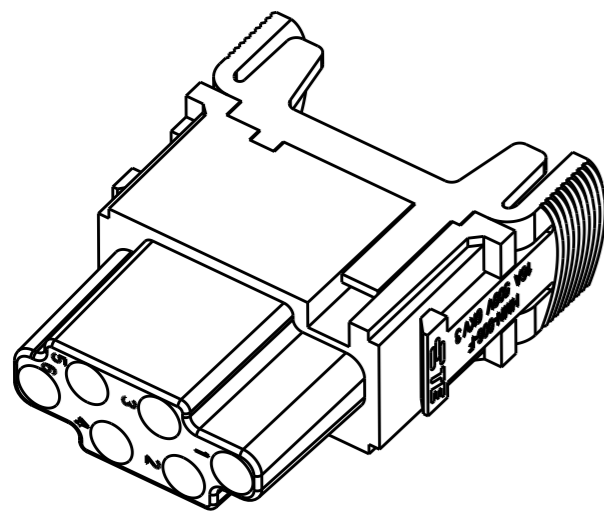


THIS DRAWING IS UNPUBLISHED. RELEASED FOR PUBLICATION 20  
 © COPYRIGHT 20 BY - ALL RIGHTS RESERVED.

REVISIONS

P	LTR	DESCRIPTION	DATE	DWN	APVD
	A	INITIAL	15APR2015	DW	CW
	B	ECR-15-018270	09DEC2015	DW	CW
	B1	ECR-16-018198	28DEC2016	QY	CW



TYPE-1:T2111062201-000 TE LOGO  
 类型-1:T2111062201-000 TE LOGO

NOTES:

- TECHNICAL CHARACTERISTICS:  
 INSULATION MATERIAL: PC  
 RATED VOLTAGE: 500V  
 RATED CURRENT: 16A  
 INSULATION RESISTANCE:  $\geq 400M\Omega$   
 RATED IMPULSE VOLTAGE: 6KV  
 POLLUTION DEGREE: 3  
 FLAMMABILITY: UL94V-0  
 MATING CYCLES: 500 CYCLES  
 WIRE RANGE: 0.14~4 mm<sup>2</sup> (26~12 AWG)  
 CONTACT TYPE: CRIMP CONTACT
- CONTACT NEED TO BE ORDERED SEPARATELY.  
 (ORDER No. REFER TO DRAWING:T20300X20XX000)

注释:

- 技术参数:  
 绝缘材料: PC  
 额定电压: 500V  
 额定电流: 16A  
 绝缘电阻:  $\geq 400M\Omega$   
 额定脉冲电压: 6KV  
 污染等级: 3  
 阻燃等级: UL94V-0  
 插拔次数: 500次  
 接线范围: 0.14~4 mm<sup>2</sup> (26~12 AWG)  
 接线类型: 冷压接
- 端子需要单独订购.  
 (订货号参考图面: T20300X20XX000)

THIS DRAWING IS A CONTROLLED DOCUMENT.

DIMENSIONS:	TOLERANCES UNLESS OTHERWISE SPECIFIED:
mm	
	0 PLC $\pm$
	1 PLC $\pm$
	2 PLC $\pm$
	3 PLC $\pm$
	4 PLC $\pm$
	ANGLES $\pm$
MATERIAL	FINISH
-	-
-	-

DWN	15APR2015
David Wang	
CHK	15APR2015
Chris Wang	
APVD	15APR2015
Xiang Xu	
PRODUCT SPEC	108-137120
APPLICATION SPEC	114-137120
WEIGHT	-
Customer Drawing	

TE Connectivity		NAME		RESTRICTED TO
		HMN-006-F		
SIZE	CAGE CODE	DRAWING NO		
A3	00779	T2111062201000		
SCALE		SHEET	OF	REV
3:2		1	2	B1

4

3

2

1

THIS DRAWING IS UNPUBLISHED.

RELEASED FOR PUBLICATION

20

© COPYRIGHT 20

BY -

ALL RIGHTS RESERVED.

REVISIONS

P	LTR	DESCRIPTION	DATE	DWN	APVD
	-	SEE SHEET 1	-	-	-

NOTES:

SEE SHEET 1

注释:

见页 1

TYPE-2: T2111062201-001 NO LOGO  
类型-2: T2111062201-001 无LOGO

ALL DIMENSIONS ARE SAME AS TYPE 1,  
EXCEPT THOSE DEFINED IN THIS TYPE.  
除了在本类型中定义的尺寸外, 其它尺寸同类型 1

T2111062201-001	HMN-006-F	HMN-006 FEMALE MODULE INSERT, NO LOGO HMN-006 模块母插, 无LOGO	TYPE-2 类型-2
T2111062201-000	HMN-006-F	HMN-006 FEMALE MODULE INSERT HMN-006 模块母插	TYPE-1 类型-1
PART NUMBER 料号	PART DESCRIPTION 描述		TYPE 类型

THIS DRAWING IS A CONTROLLED DOCUMENT.		DWN 15APR2015 David Wang		
DIMENSIONS: mm		CHK 15APR2015 Chris Wang		
TOLERANCES UNLESS OTHERWISE SPECIFIED:		APVD 15APR2015 Xiang Xu	NAME HMN-006-F	
0 PLC ±-		PRODUCT SPEC 108-137120	SIZE CAGE CODE DRAWING NO RESTRICTED TO	
1 PLC ±-		APPLICATION SPEC 114-137120	A3 00779 © T2111062201000 -	
2 PLC ±-		WEIGHT -	SCALE 3:2 SHEET 2 OF 2 REV B1	
3 PLC ±-		Customer Drawing		
4 PLC ±-				
ANGLES ±-				
FINISH -				
MATERIAL -				

1470-19 (3/13)