

UBBL19

Technical Datasheet



| Technical Specifications | |
|--|--|
| Part No. | UBBL19-FL or UBBL19-C1 |
| Voltage Range | 3.0 to 4.2V |
| Average Voltage | 3.6V |
| Capacity | 2.4Ah @ C/5 Rate @ 23°C±2°C |
| Max. Discharge | 2.5A continuous |
| PTC | Rated for 2.6A hold current @ 20°C |
| Energy | 8.6Wh |
| Energy Density | 172Wh/kg, 430Wh/l |
| Weight | ~52g |
| Cycle Life | > 300 cycles @ C/5 to 80% of initial capacity |
| Memory | No Memory Effect |
| Operating Temperature | -20°C to 60°C |
| Storage Temperature | -20°C to 50°C |
| Self-Discharge | < 10% per month |
| Exterior/Housing | PVC Shrink Wrap |
| Terminals/Connector | FL: 22 AWG wire leads Red (+), Black (-) C1: JST Connector VHR-2N |
| Safety | Material Safety Datasheet - MSDS041 Safety Guide UBI-5112 |
| Transportation | Exempted from regulations for packages with gross mass of 10kg or less (see note) |
| Protection Circuit Module and Fuses | Over Voltage Limit: 4.35±0.025V (per cell) Under Voltage Limit: 2.50±0.1V (per cell) Over Discharge Current Limit: 3.4 - 4.5A |
| Charging | Recommended charge rate is 466mA to 4.2V in a temperature range of 0°C to 45°C. Hold at 4.2V until current declines to 50mA. Maximum charge rate is 1.63A @ 23°±2°C. |
| Note | A complete description of transportation regulations, lithium weights and transportation classifications is available on the Ultralife website. |

Features

- Off-the-shelf convenience
- Wire or connector terminals
- Full circuit protection
- Meets all UN transportation testing
- Long cycle life
- High energy density
- Wide operating temperature range
- Lightweight
- No memory effect

Applications

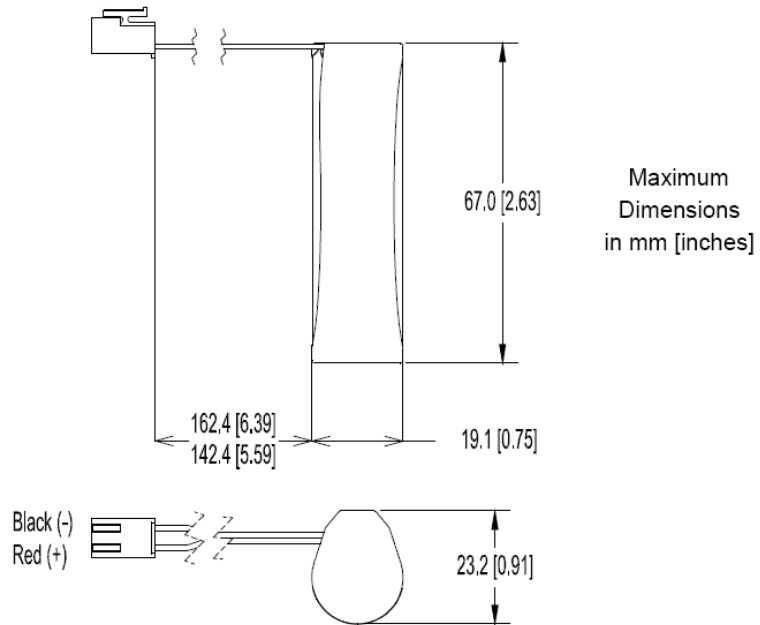
- Portable electronics
- Hand-held devices
- Medical equipment
- Back-up power

Accessories Optional

- UCH0036-S: Wall Wart charger (U.S.)
- UCH0036-I: Wall Wart charger (International)
- UCA0102-01: Interface cable for UBBL19-FL
- UCA0102-02: Interface cable for UBBL19-C1

Dimensions

UBBL19-FL: Wire Leads
 UBBL19-C1: Connector



Performance Graphs

