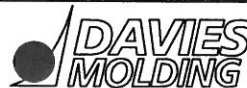


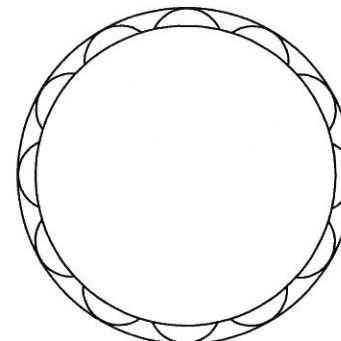
PART NAME: KNOB SCALE: 1:1 DATE: 11/1/16 DR. BY JAM

THIS DRAWING IS THE PROPERTY OF DAVIES MOLDING COMPANY, IS SUBMITTED SOLELY AS A DESIGN OR ENGINEERING PROJECT. WE ACCEPT NO RESPONSIBILITY WHATSOEVER FOR THE PRACTICAL APPLICATION OF THE PIECES MADE TO THIS DESIGN.

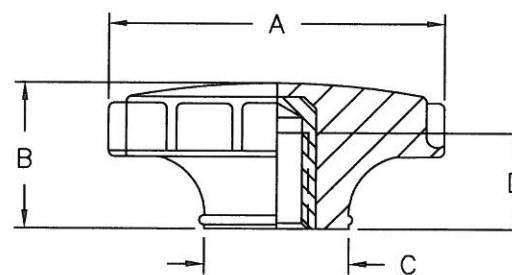


DESIGNERS & MANUFACTURERS OF KNOBS, HANDLES, CASES & CUSTOM PLASTIC COMPONENTS

P/N 3000QJ-QN

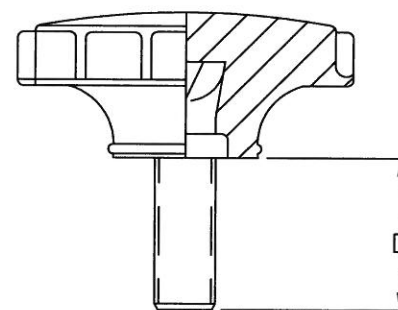


| | THREAD | A | B | C | D |
|--------|-----------|----|----|----|----|
| 3000QJ | M8 X 1.25 | 45 | 20 | 19 | 12 |
| 3000QK | M10 X 1.5 | 45 | 20 | 19 | 15 |



THREADED INTERNAL INSERT

| | THREAD | A | B | C | D |
|--------|-----------|----|----|----|----|
| 3000QL | M8 X 1.25 | 45 | 20 | 19 | 20 |
| 3000QM | M8 X 1.25 | 45 | 20 | 19 | 30 |
| 3000QN | M10 X 1.5 | 45 | 20 | 19 | 20 |
| 3000QP | M10 X 1.5 | 45 | 20 | 19 | 30 |



THREADED STUD

KNOB MATERIAL: PHENOLIC
COLOR: BLACK

INSERT MATERIAL: INTERNAL INSERTS ARE BRASS,
PROJECTING STUDS ARE ZINC PLATED STEEL

| | | | | |
|---|----------------------------------|---------|--|--|
| TOLERANCES: UNLESS OTHERWISE SPECIFIED | DO NOT SCALE DRAWING | | | |
| | MM: X.XX ± 0.15MM X.X ± 0.4MM | | | |
| | ANG. ± 1' | CHANGES | | |