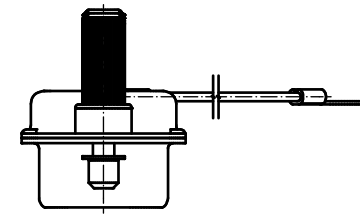
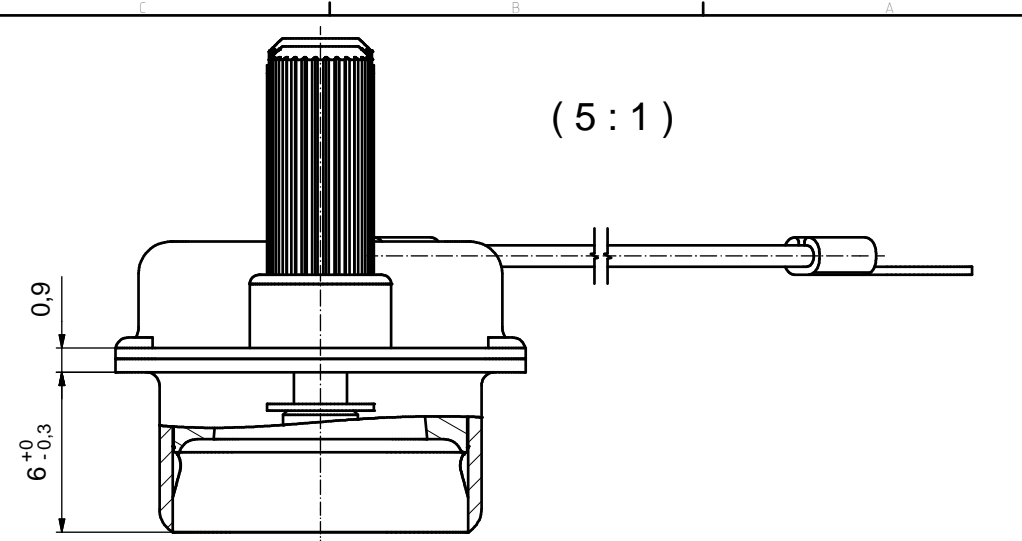


Part. No. for socket connector	
UNC 4-40	M3
15-000050	15-000100



NOTES:

- METALSHELLS: COPPER ALLOY; min. 315µin TIN over 40-80µin NICKEL
- TPE ETHYLENE PROPYLENE THERMOPLASTIC RUBBER SEAL
- IP RATING: THE WATER RESISTANT CAP MUST BE MOUNTED PROPERLY TO THE MATING CONNECTOR FOR IP 67
- THREADED INSERT: COPPER ALLOY; min. 200µin TIN over 80µin NICKEL
- COLLAR: COPPER ALLOY; min. 200µin TIN over 80µin NICKEL
- JACKSCREW: STAINLESS STEEL 1.4305
- WIRE ROPE: STAINLESS STEEL 1.4401
- RETAINING WASHER: STAINLESS STEEL 1.4122
- TERMINAL RING: UNINSULATED, COPPER ALLOY; min. 200µinTIN over 80µin NICKEL
- MAXIMUM TORQUE VALUE FOR THREAD: 6in.LB
- CONNECTOR IS PART MARKED: [PART NO. CONEC ABC]

Directive 2002/95/EC
"RoHS"
Compliant

THIS DRAWING MAY NOT BE COPIED OR REPRODUCED IN ANY WAY, AND MAY NOT BE PASSED ON TO A THIRD PARTY WITHOUT WRITTEN PERMISSION. OWNERSHIP AND COPYRIGHT OF CONEC GmbH DO NOT ALTER CAD DRAWING BY HAND	tolerance		ISO 2768-m		dim. in mm	scale:	2:1 (5:1)
	material:		SEE NOTES			title:	WATER RESISTANT SCREEN CAP
	date	name	drawn	23.05.08	Petker	50pos. FOR SOCKET CONNECTOR	
	appd.	26.05.08	Fischer	with threaded insert, jackscrew and wire rope		dwg no:	Inventor 10
	norm		d-old				DIN-A3
rev.	a	Origin				15K1A224	sh: 1
description	date	name	CONEC ®		part no:	see table	