

REVISIONS				
REV	DATE	DESCRIPTION	BY	APP'D
0	04/04	CONVERTED RADIAL DWG TO TYCO ACAD DWG	RF	JM
1	25FEB10	REVISED	RF	JM
2	08APR10	REVISED	RF	JM

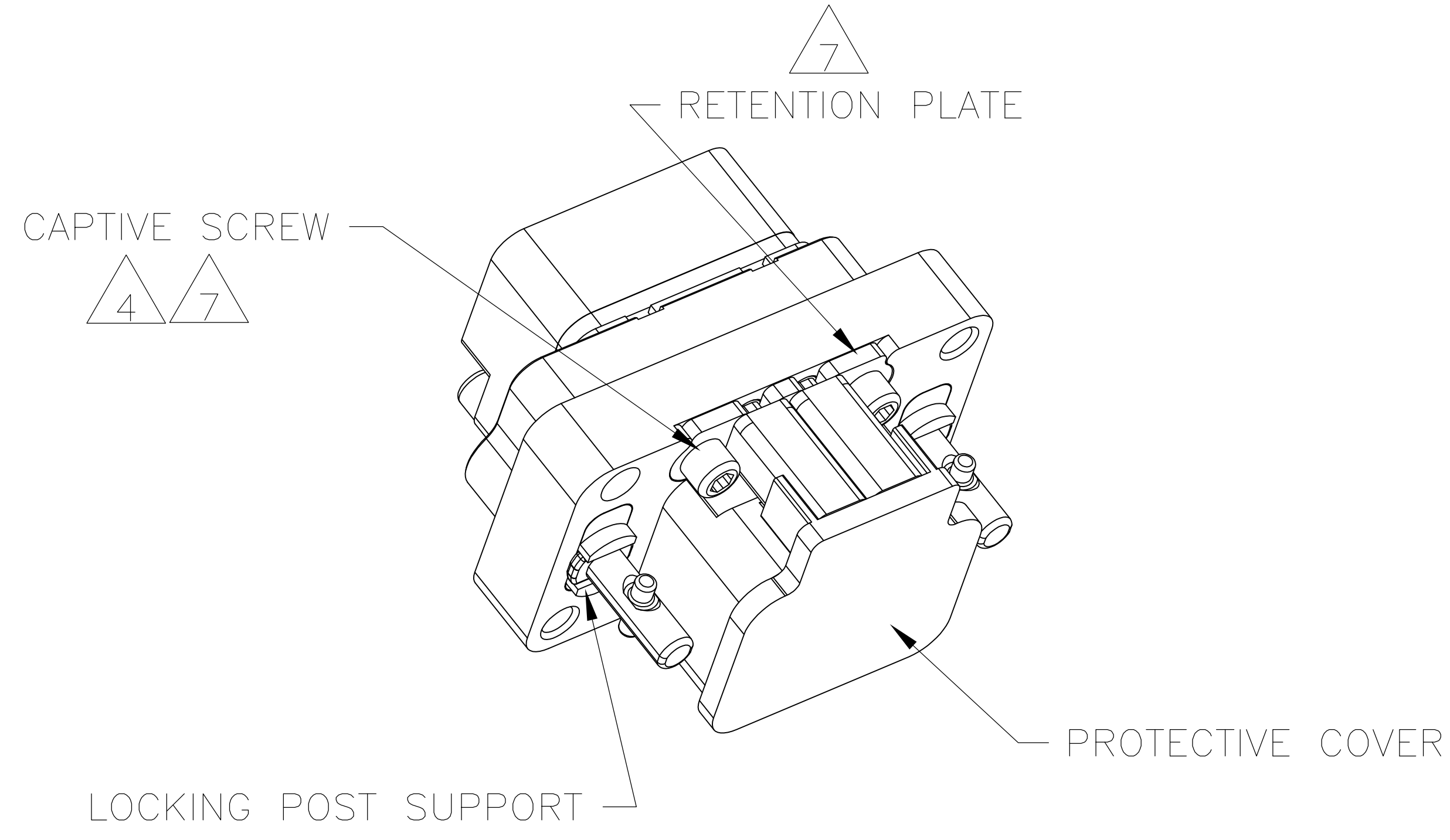
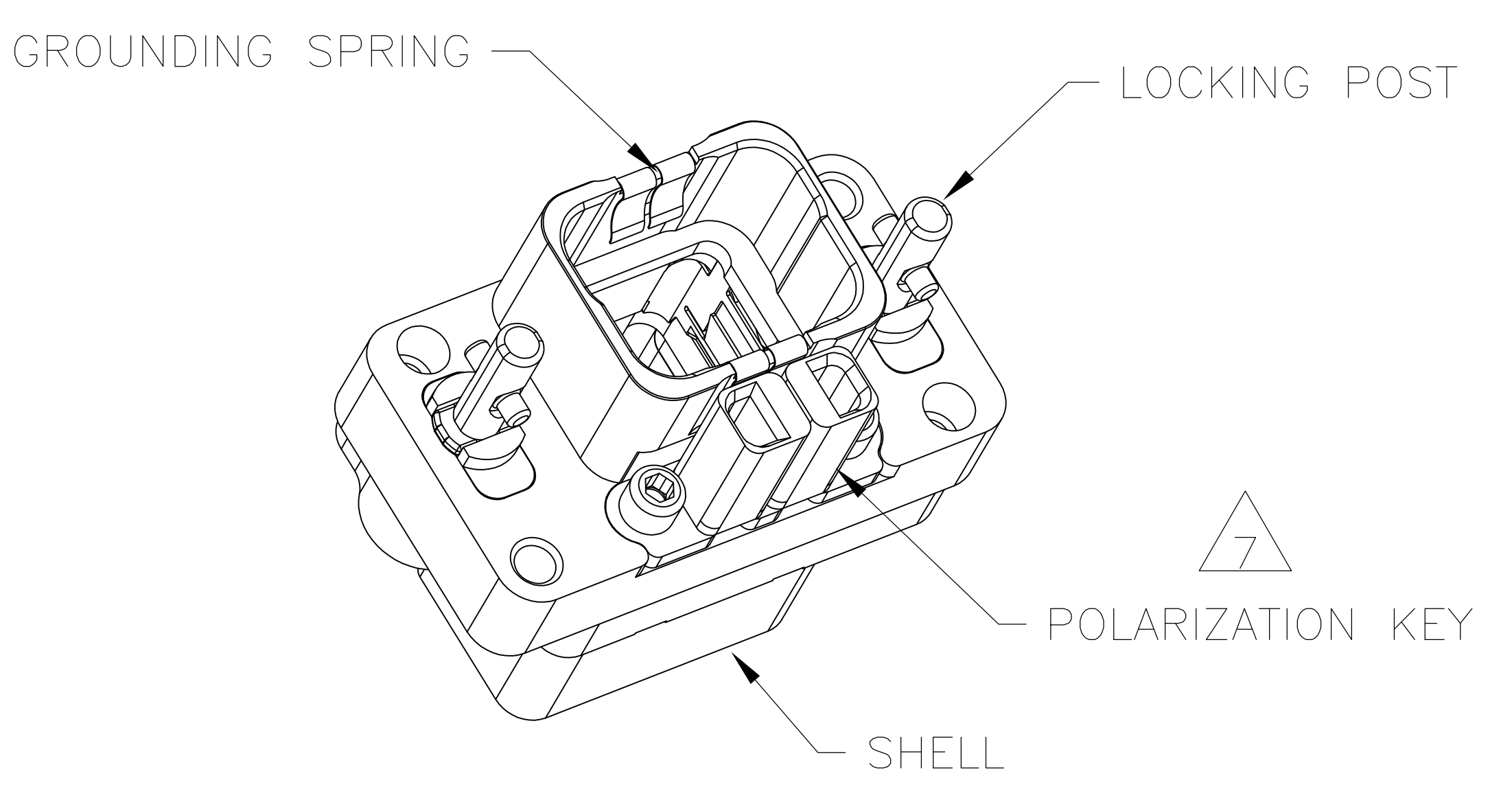
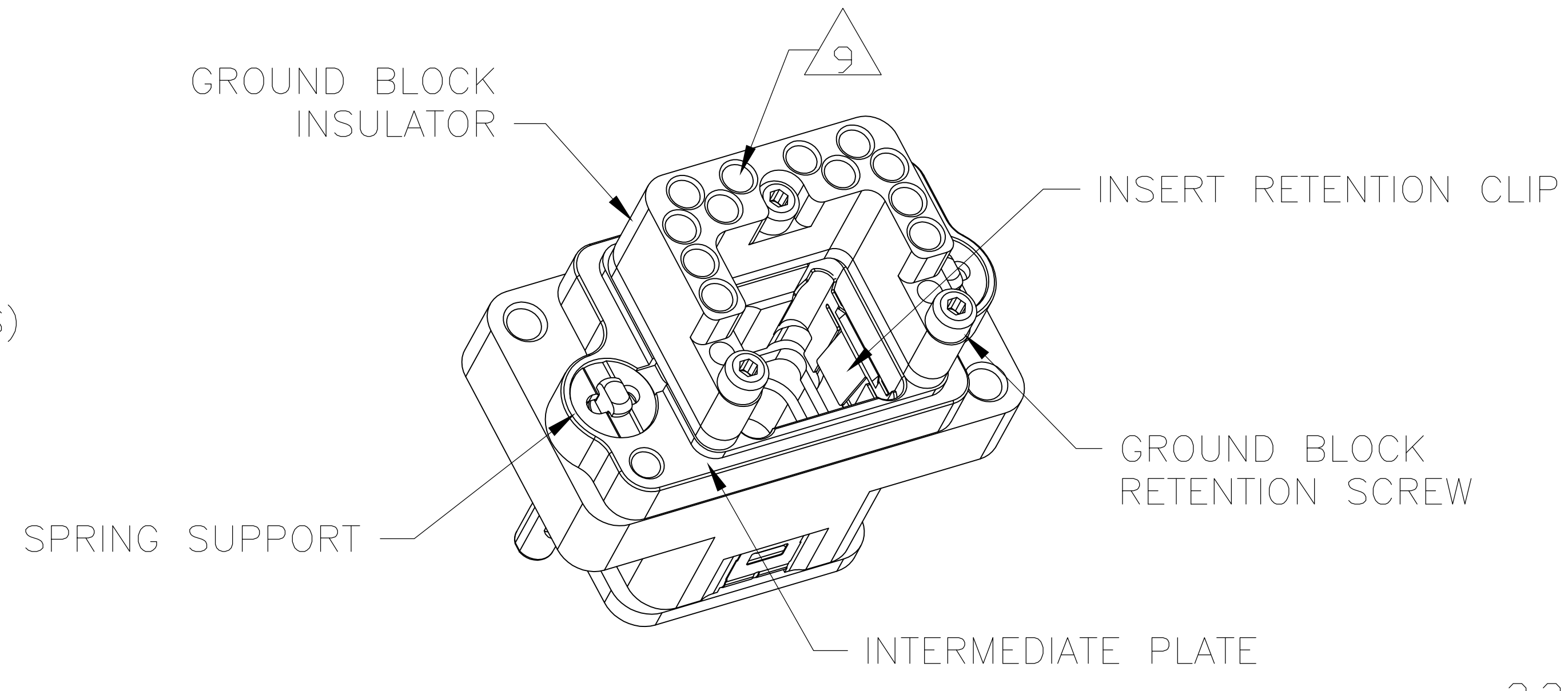
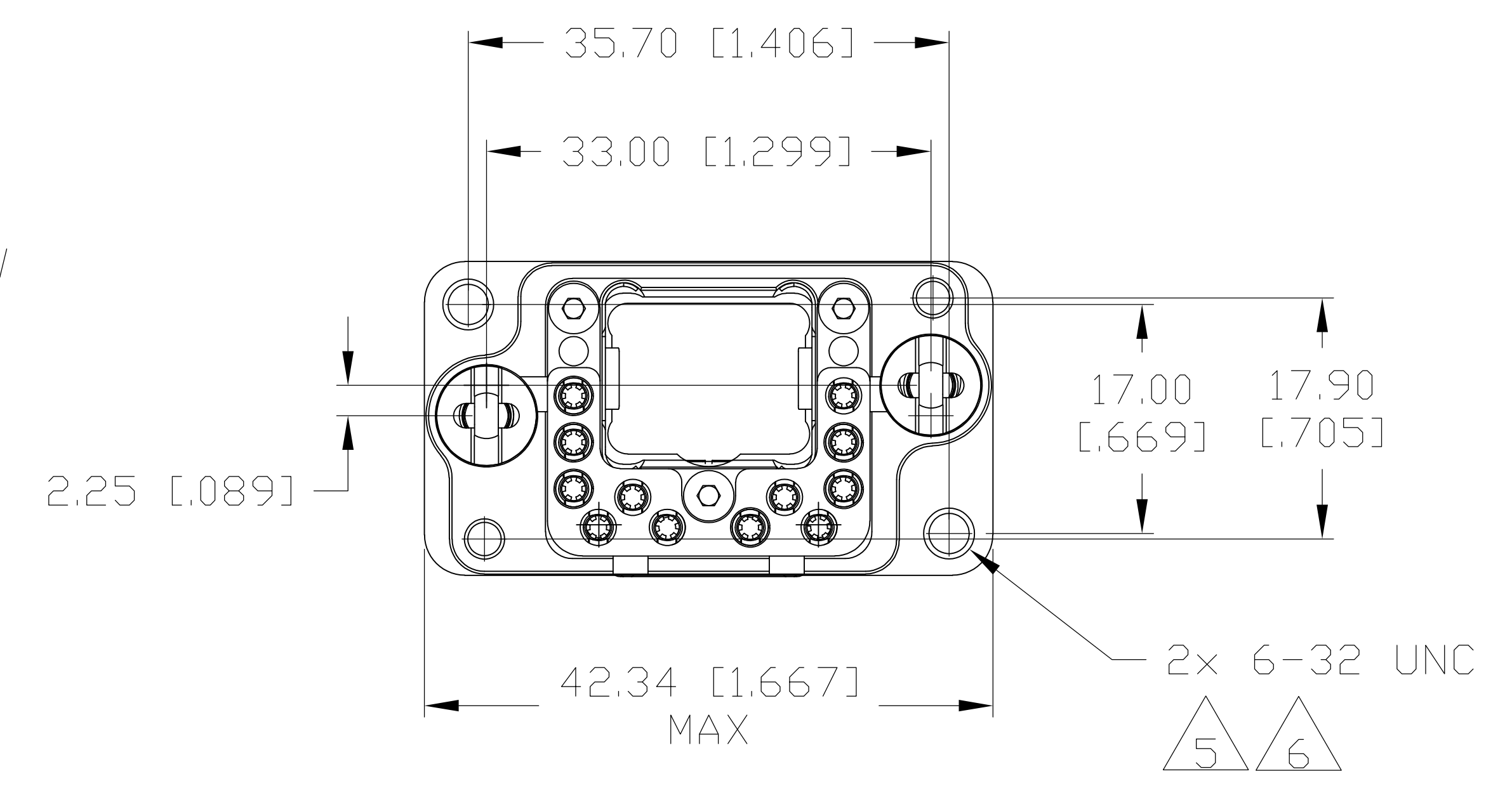
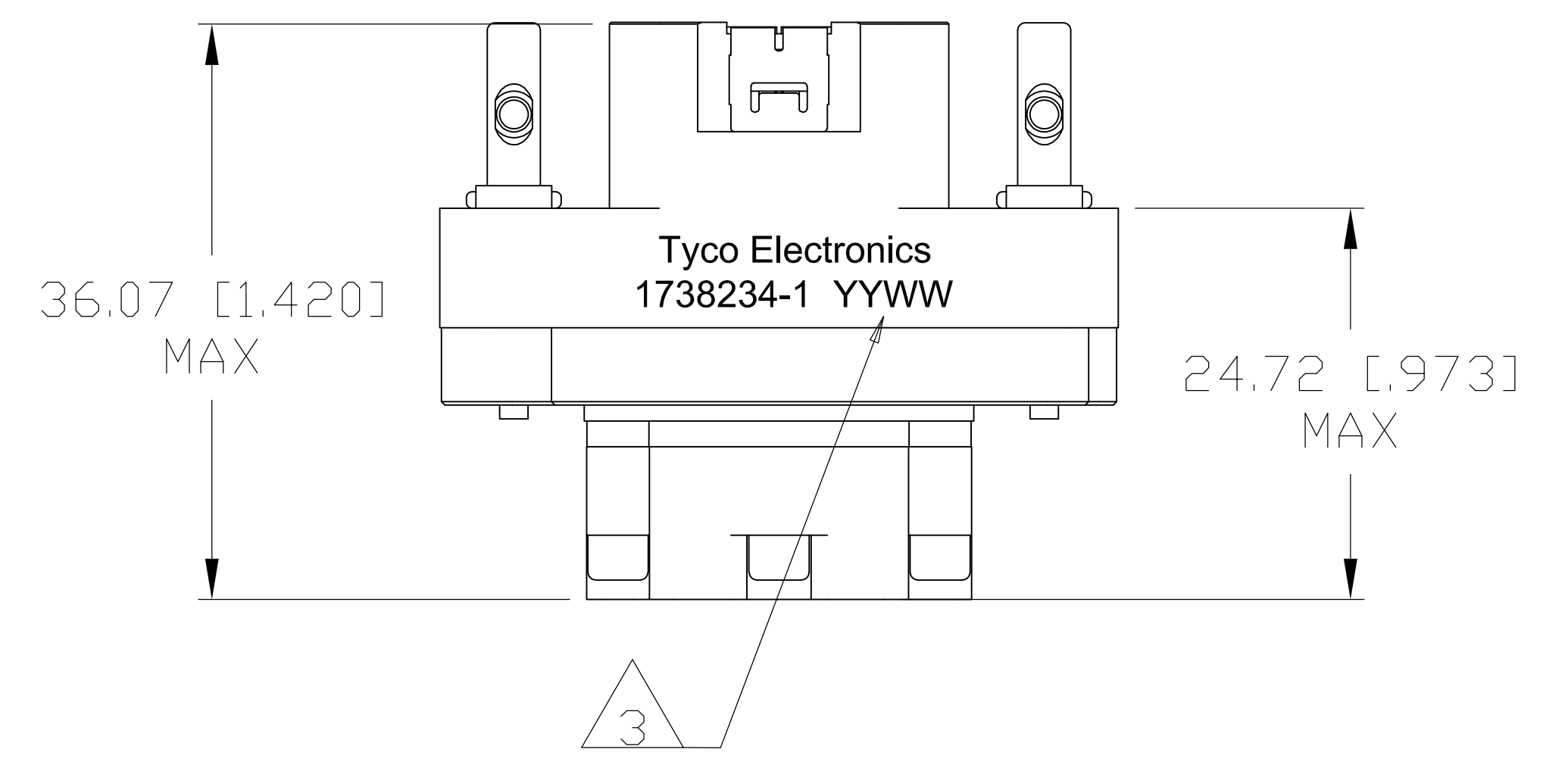
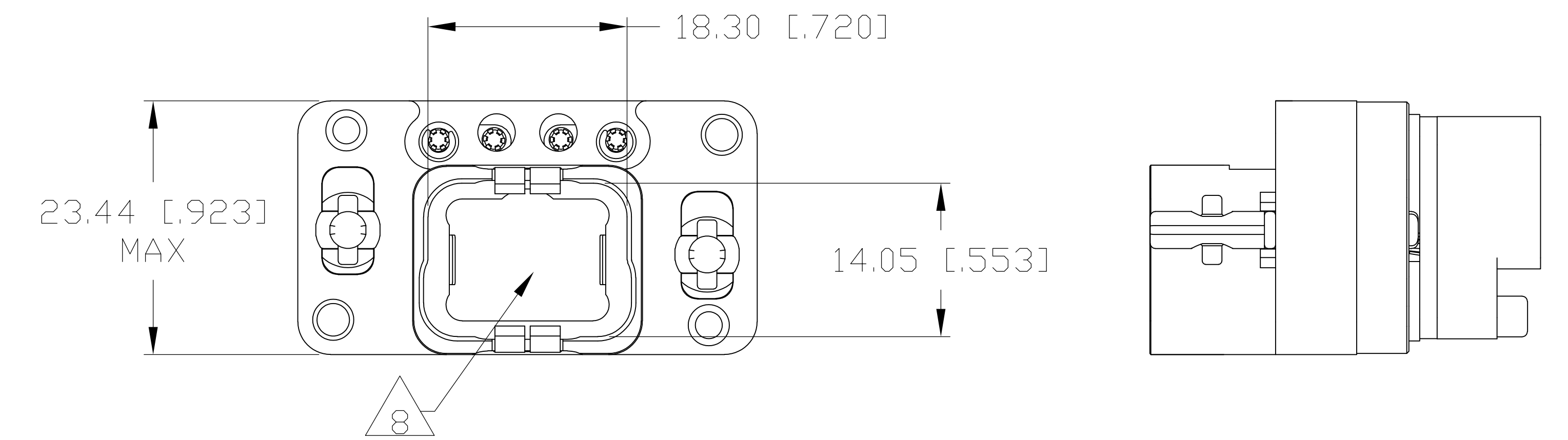
1 SHELL & KEY RETENTION PLATE: ALUMINUM ALLOY
 LOCKING POST: STAINLESS STEEL PER ASTM B883
 SPRING: STAINLESS STEEL PER AISI 301
 SPRING SUPPORT, LOCKING POST SUPPORT, GROUND BLOCK RETENTION SCREW & CAPTIVE SCREW: STAINLESS STEEL PER AISI 303
 INSERT RETENTION CLIP, GROUND CONTACT RETENTION CLIP, GROUNDING CLIP, & GROUNDING SPRING: COPPER ALLOY PER ASTM B194
 SCREW RETENTION CLIPS: STAINLESS STEEL PER AISI 304
 INTERMEDIATE PLATE: COPPER ALLOY PER ASTM B103
 GROUND BLOCK INSULATOR & POLARIZATION KEY: PEI THERMOPLASTIC PER ASTM D5205
 PROTECTIVE COVER: THERMOPLASTIC ELASTOMER

2 SHELL: ELECTROLESS NICKEL PER SAE AMS-C-26074, CLASS 1.
 INTERMEDIATE PLATE: ELECTROLYTIC NICKEL PER SAE AMS-QQ-N-290
 KEY RETENTION PLATE: ANODIZED, CLEAR
 GROUNDING CLIP: 1.27µm [50 µin] MIN GOLD PER ASTM B488 OVER 1.25 µm [50 µin] MIN NICKEL PER SAE AMS-QQ-N-290
 GROUNDING SPRING: ELECTROLYTIC NICKEL PER SAE AMS-QQ-N-290

- 3 DATE CODE - YEAR & WEEK (YY WW)
- 4 4-40 CAPTIVE SCREWS ON KEY RETENTION PLATE
RECOMMENDED LOCKING TORQUE: 0.8 N.m [7in-lb]
- 5 6-32 SCREWS ARE REQUIRED FOR PANEL MOUNTING (NOT INCLUDED)
RECOMMENDED LOCKING TORQUE: 1.6 N.m [14 in-lb]
- 6 THREADED HOLES ARE SELF-LOCKING, HAVING THE SPIRALOCK® THREAD FORM.
SPIRALOCK® IS A REGISTERED TRADEMARK OF SPIRALOCK CORPORATION.
- 7 THE POLARIZATION KEYS & RETENTION PLATE ARE SHIPPED UNASSEMBLED.
- 8 SHELL CAVITY FOR GPRA SERIES INSERTS WITH KEYING CODE A.
- 9 CAVITIES FOR GROUNDING CONTACTS PER M39029/1-101, QTY: 18
- 10 DATUMS ESTABLISHED BY CUSTOMER.
- 11 BASIC DIMENSIONS ESTABLISHED BY CUSTOMER.

12. DESCRIPTIVE PART NUMBER: GPRA1ZM04N
 SERIES: GPRA
 SHELL SIZE: 1 (SINGLE-CAVITY SHELL)
 SHELL STYLE: Z (RECEPTACLE WITH GROUND BLOCK AND GROUNDING SPRINGS)
 MODIFICATION CODE: M (TWO 6-32 UNC MOUNTING HOLES)
 LOCKING DEVICE: 0 (QUARTER-TURN FASTENER)
 POLARIZATION CODE: 4 (KIT, WITH POLARIZING HARDWARE UNASSEMBLED)
 SHELL PLATING: N (NICKEL PLATING)

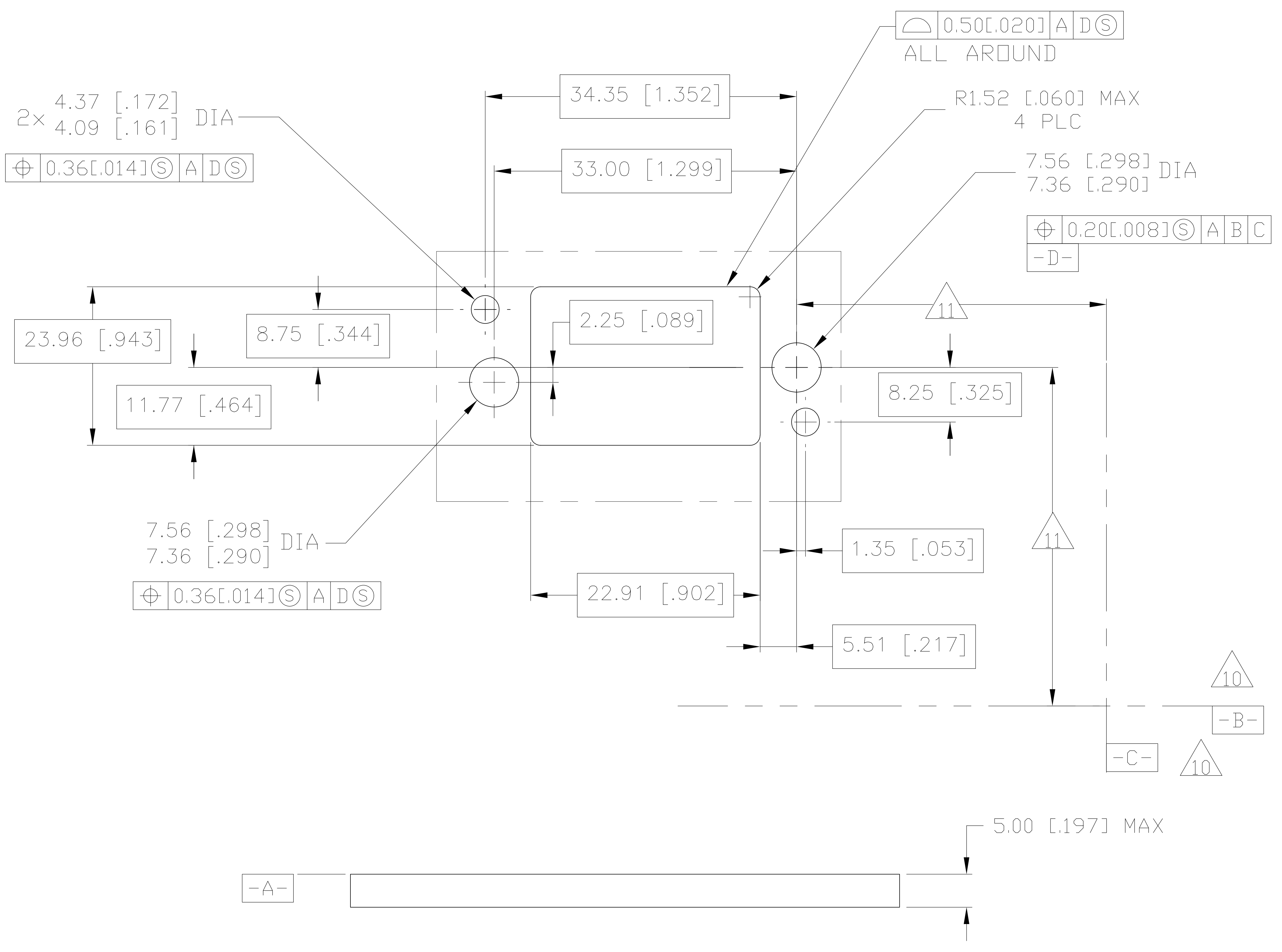
13. THIS PRODUCT IS SOLD BY TYCO ELECTRONICS UNDER A LICENSE FROM RADIAL SA.



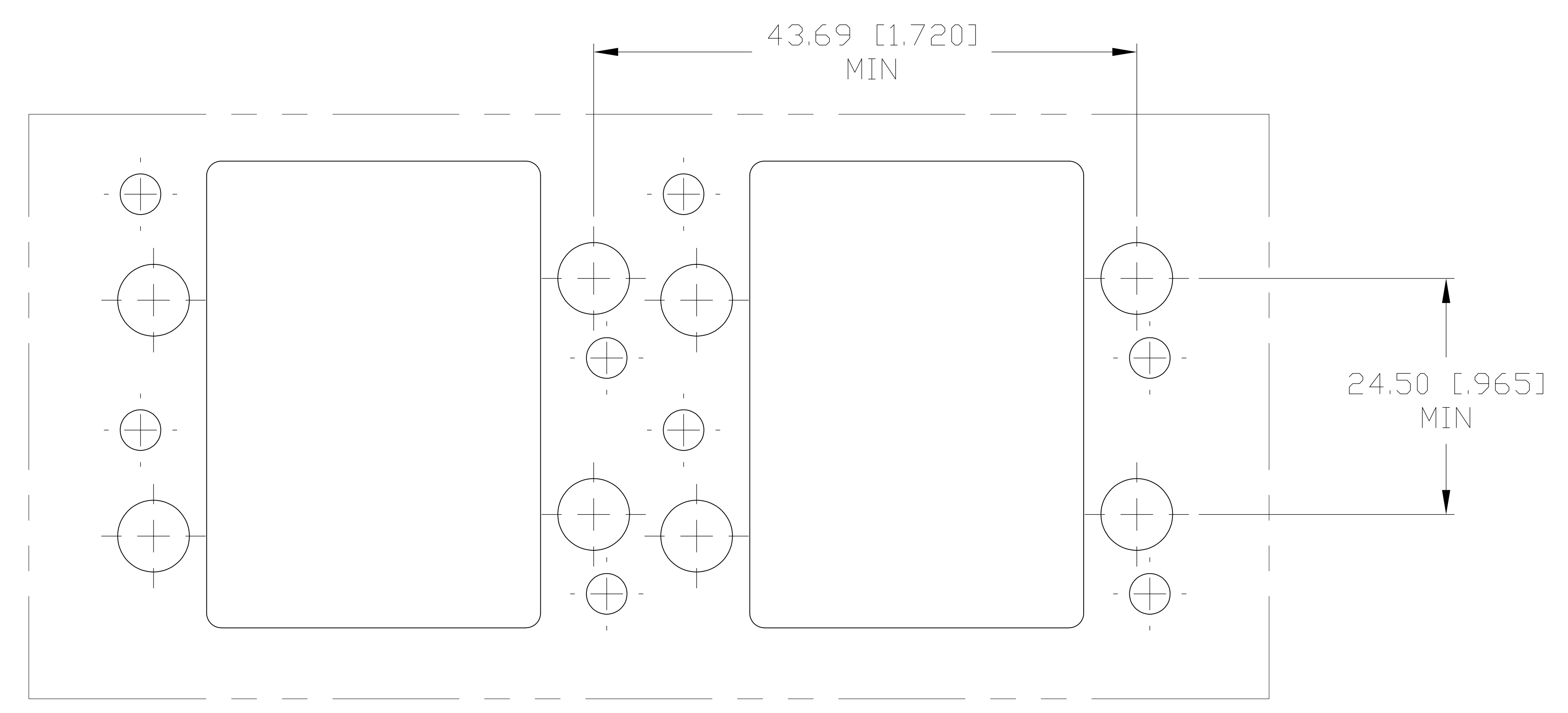
THIS PRINT IS
PRELIMINARY
 UNQUALIFIED PRODUCT
 CONTACT PRODUCT ENGINEERING
 BEFORE USING THIS PRINT

1738234-1
 PART NUMBER

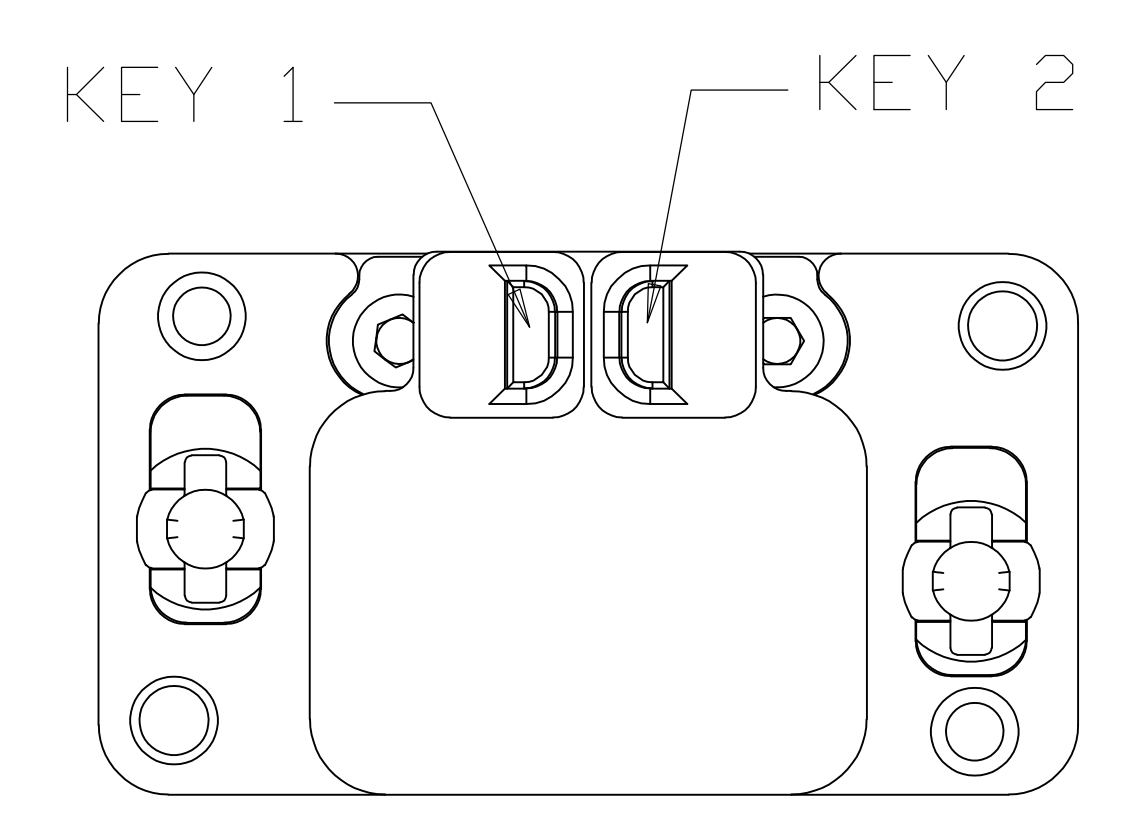
THIS DRAWING IS A CONTROLLED DOCUMENT.		REV. FLAG	APPROVAL	Tyco Electronics Corporation
DIMENSIONS: (UNLESS OTHERWISE SPECIFIED):		REV. NO.	DATE	1738234-1
mm (INCHES)		DESCRIPTION	BY	RF
1.0 (0.039)		PRODUCT SPEC	DATE	04/04
0.5 (0.019)		APPLICATION SPEC	BY	RF
0.25 (0.009)		WEIGHT	DATE	04/04
0.125 (0.0045)		CUSTOMER DRAWING	BY	RF
0.075 (0.0028)		SCALE	DATE	04/04
0.0375 (0.0014)		SHEET	DATE	04/04
0.01875 (0.0007)		REV	DATE	04/04
0.009375 (0.00035)		2	DATE	04/04



RECOMMENDED PANEL CUTOUT - COMPONENT SIDE



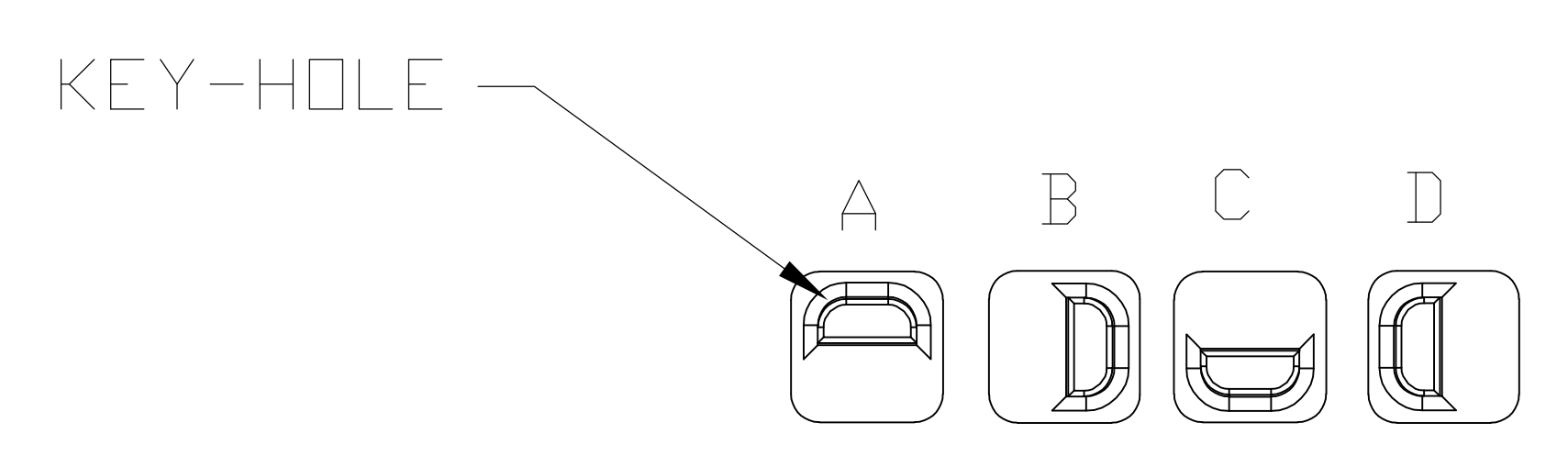
MULTIPLE PANEL CUT-OUT



CODE NUMBER 08 SHOWN: B-D

POLARIZATION KEY 1 POLARIZATION KEY 2

RECEPTACLE CONNECTOR POLARIZATION



CODE NUMBER	KEY 1	KEY 2
01	A	A
02	D	A
03	C	A
04	B	A
05	A	D
06	D	D
07	C	D
08	B	D
09	A	C
10	D	C
11	C	C
12	B	C
13	A	B
14	D	B
15	C	B
16	B	B

KEY-HOLE ORIENTATION

THIS PRINT IS
PRELIMINARY
UNQUALIFIED PRODUCT
CONTACT PRODUCT ENGINEERING
BEFORE USING THIS PRINT

1738234-1
PART NUMBER

THIS DRAWING IS A CONTROLLED DOCUMENT.		REV. FLAG	APPROX.	Tyco Electronics Corporation Harrisburg, Pa 17105-3608
DIMENSIONS: mm (INCHES)		DATE	APPROX.	
FORMER USES: UNLESS OTHERWISE SPECIFIED:		APPROX.	APPROX.	RECEPTACLE SHELL KIT, WITH GROUND BLOCK, WITH GROUNDING SPRINGS, WITH POLARIZING HARDWARE GPRA
0. PLG	± .01	APPROX.	APPROX.	SIZE
1. PLG	± .015	APPROX.	APPROX.	SCALE
2. PLG	± 0.13 [.005]	APPROX.	APPROX.	DRAWING NO.
3. PLG	± .01	APPROX.	APPROX.	REV.
4. PLG	± .01	APPROX.	APPROX.	
APPROX.	± .01	APPROX.	APPROX.	
MATERIAL	FINISH	WEIGHT	APPROX.	CUSTOMER DRAWING