

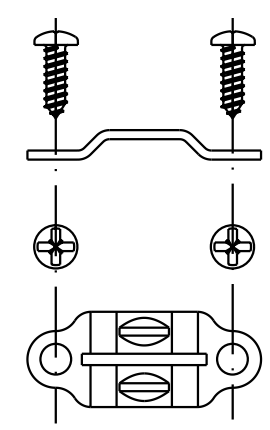
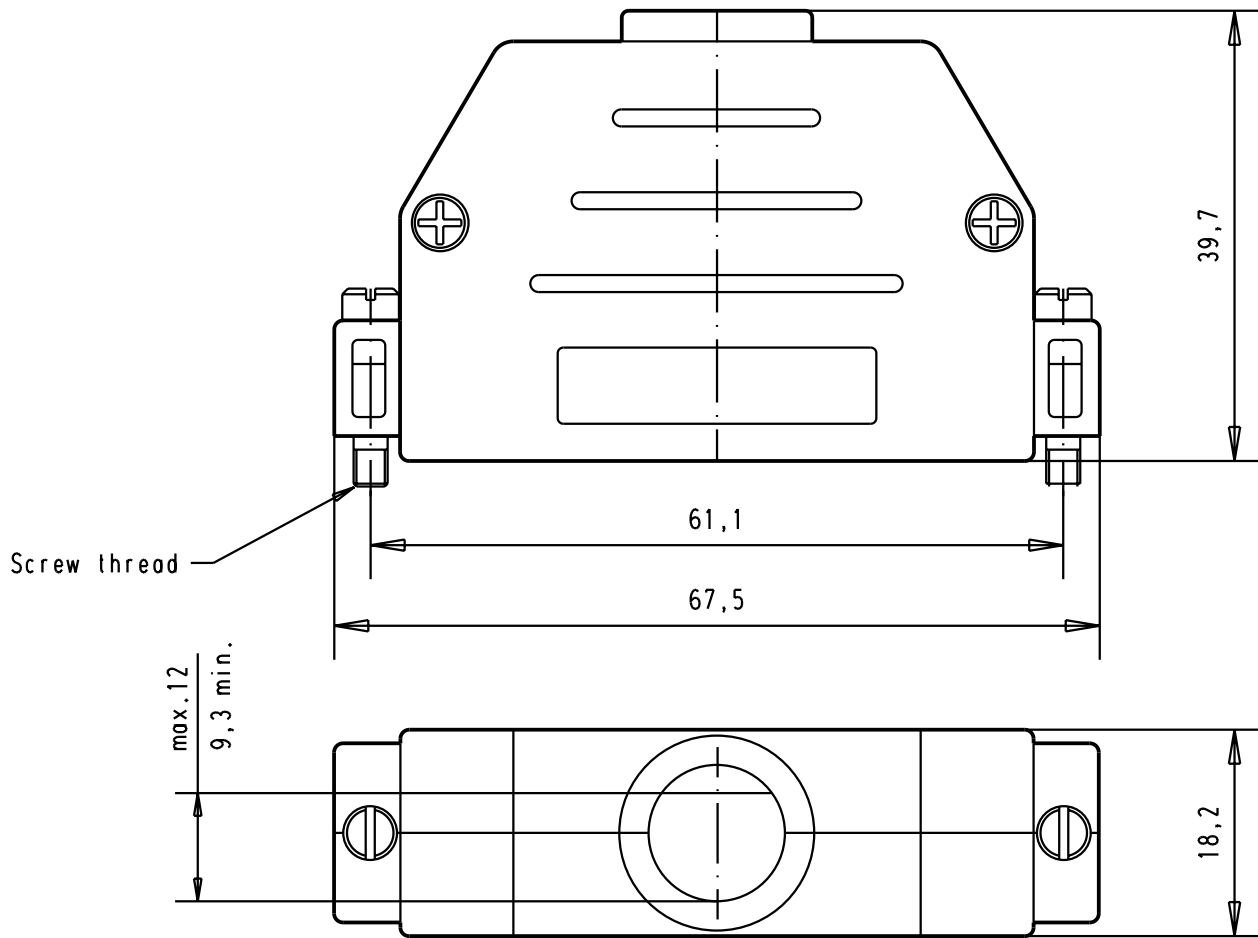
5

4

3

2

1




D

C

B

A

					Det. 28-MAR-02 Insp. Stand.		Name CV All Dim. in mm Orig. Size DIN A 4		D-Sub, thermoplastic black hood, 50 poles with short locking screws.	Maßstab/ Scale 1.5:1
					HARTING EURL F-95972 Paris					
09 67 050 0442	4-40 UNC	31085	4-SEP-02	CV						
Part number	Screw thread	Mod.	Dat.	Name						