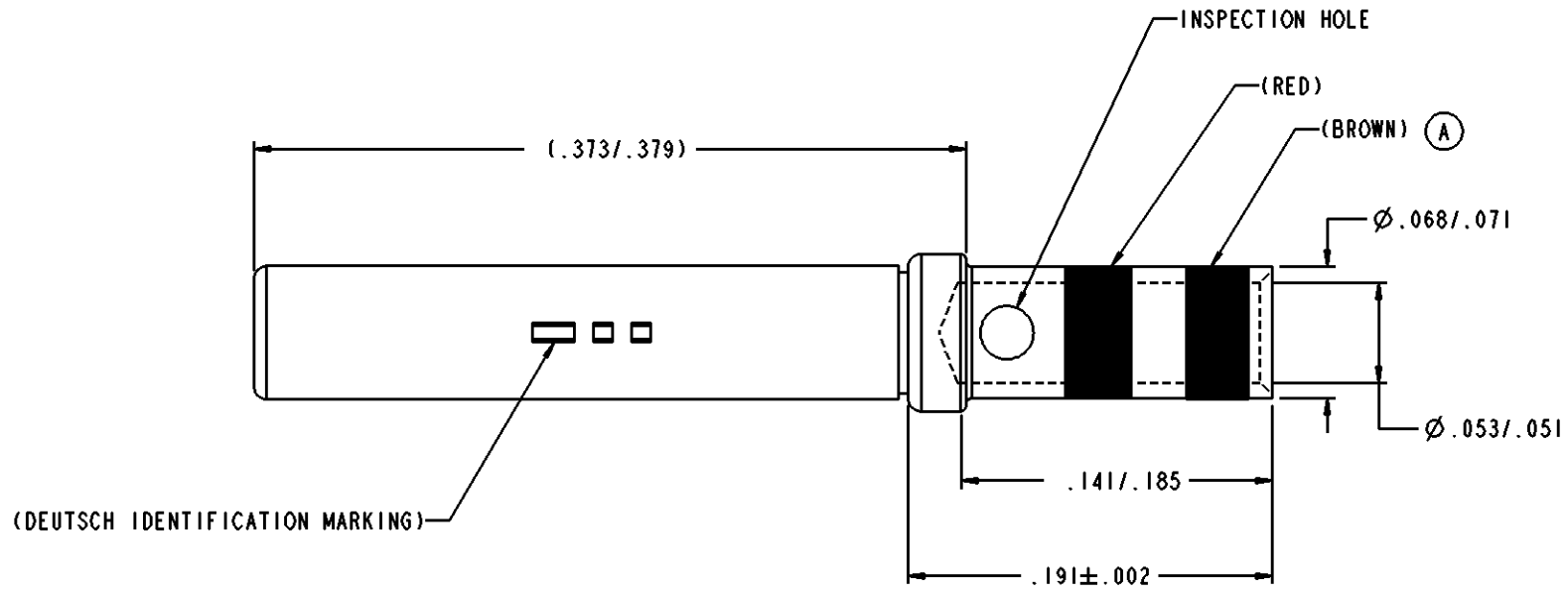


PROPERTY OF DEUTSCH E.C.D.

This drawing contains proprietary information that shall not be disclosed, duplicated, nor used in whole or in part for any purpose other than to evaluate this drawing.

A 2562-203-2031

REVISIONS			
REV	DESCRIPTION	DATE	APPROVED
-	NEW RELEASE PER E.O. A11669	901219	JP
A	REVISED AND REDRAWN PER E.O. C7234	080630	A.R.



- 4. ALL DIMENSIONS CONFORM TO ASE-AS39029/63 EXCEPT AS SPECIFIED
- 3. FINISH: SOCKET BODY-.000050 GOLD PER MIL-G-45208 OVER NICKEL SLEEVE-PASSIVATED
- 2. MATERIAL: SOCKET BODY-COPPER ALLOY SLEEVE-STAINLESS STEEL

1. ALL DIMENSIONS ARE IN INCHES

NOTES:

SIGNATURE & DATE	
DR	HARRINGTON 901129
CHK	JO POWELL 901219
PE	HARRINGTON 901219
APPD	BJH
SCALE	NONE WT

CONTACT, SOCKET
 SIZE 20
 SAE-AS39029/63 TYPE
 WITH MODIFIED CRIMP BARREL

ENVELOPE

CP	MATL CODE
DEUTSCH	
ENGINEERED CONNECTING DEVICES	
250 EDDIE JONES WAY OCEANSIDE, CA 92058	
A	2562-203-2031
DRG SIZE	CODE 11139 SHEET OF