

REVISIONS				
NO.	DESCRIPTION	DATE	DWN	APVD
A2	DESCRIPTION CORRECTED FROM SOLDER TO SCREW TERMINAL IN TITLE BLOCK	13NOV2014	CR	JK

TECHNICAL DATA	2-2271122-1	2-2271122-2	3-2271122-1	3-2271122-2	4-2271122-1	4-2271122-2	5-2271122-2	6-2271122-2
RATED VOLTAGE	250V	250V	250V	250V	125V	125V	-	30V
RATED IMPULSE VOLTAGE	2500V	2500V	2500V	2500V	1500V	1500V	-	500V
POLLUTION DEGREE	3	3	3	3	3	3	-	3
OVERVOLTAGE CATEGORY	II	II	II	II	II	II	-	II
MATERIAL GROUP	II	II	II	II	II	II	-	II
RATED CURRENT	4A	4A	4A	4A	4A	4A	-	2A
VOLUME RESISTIVITY	≤ 8mΩ	≤ 8mΩ	≤ 8mΩ	≤ 8mΩ	≤ 8mΩ	≤ 8mΩ	-	≤ 3mΩ
DEGREE OF PROTECTION	IP67	IP67	IP67	IP67	IP67	IP67	IP67	IP67
UPPER TEMPERATURE	+85 °C	+85 °C	+85 °C	+85 °C	+85 °C	+85 °C	+85 °C	+85 °C
LOWER TEMPERATURE	-40 °C	-40 °C	-40 °C	-40 °C	-40 °C	-40 °C	-40 °C	-40 °C

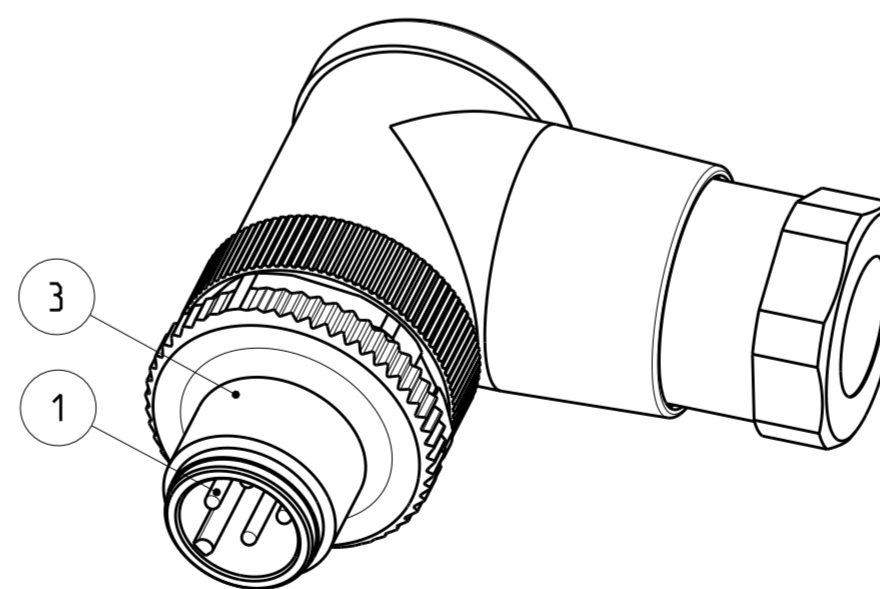
- 1 MATERIAL: ITEM NO. 1: HOUSING - PBT  
ITEM NO. 2: CONTACT BODY - PA  
ITEM NO. 3: CONTACT - CuZn (brass)
- 2 CONTACT FINISH - CuSnZn (Optalloy)
- 3 CONTACT FINISH - Au (gold)
- 4 ALL DIMENSIONS ARE FOR NOMINAL REFERENCE ONLY UNLESS OTHERWISE STATED
- 5 MEASUREMENT REFERENCE ONLY
- 6 PACKAGING: 1 PIECE IN A BAG



PIN ARRANGEMENT A-CODING (SCALE 2:1)

2-2271122-1	2-2271122-2	3-2271122-1	3-2271122-2
4-2271122-1	4-2271122-2	5-2271122-2	6-2271122-2

3-2 AS SHOWN WIE GEZEICHNET



CABLE FEED-THROUGH	WIRES	MATERIAL	NUMBER OF POLES	TE-PART-NO.
6-8	24 / 0.25mm <sup>2</sup>	1 3	12	6-2271122-2
6-8	-	-	8	5-2271122-2
6-8	18 / 0.75mm <sup>2</sup>	1 2	5	4-2271122-2
4-6	18 / 0.75mm <sup>2</sup>	1 2	5	4-2271122-1
6-8	18 / 0.75mm <sup>2</sup>	1 2	4	3-2271122-2
4-6	18 / 0.75mm <sup>2</sup>	1 2	4	3-2271122-1
6-8	18 / 0.75mm <sup>2</sup>	1 2	3	2-2271122-2
4-6	18 / 0.75mm <sup>2</sup>	1 2	3	2-2271122-1

DIESE ZEICHNUNG IST EIN KONTROLLIERTES DOKUMENT. BEMASSUNGEN UND TOLERANZEN GEMAESS GPS (ISO STANDARDS).

THIS DRAWING IS A CONTROLLED DOCUMENT. DIMENSIONING AND TOLERANCING PER GPS (ISO STANDARDS).

APVD: YASHKUMAR 15APR2014  
CHK: M.STRELOW 15APR2014  
C.SCHREITLINGER 15APR2014

NAME: M12 MALE 90 DEG ANGLED FIELD INSTALLABLE, UNSHIELDED CONNECTOR, SCREW TERMINALS, A-CODING

PRODUCT SPEC: 108-19483  
APPLICATION SPEC: 114-32127

SCALE: 2:1

Customer Drawing / KUNDENZEICHNUNG

RESTRICTED TO NUR FÜR: -

REV: A2

SIZE ISO 14405 (E)