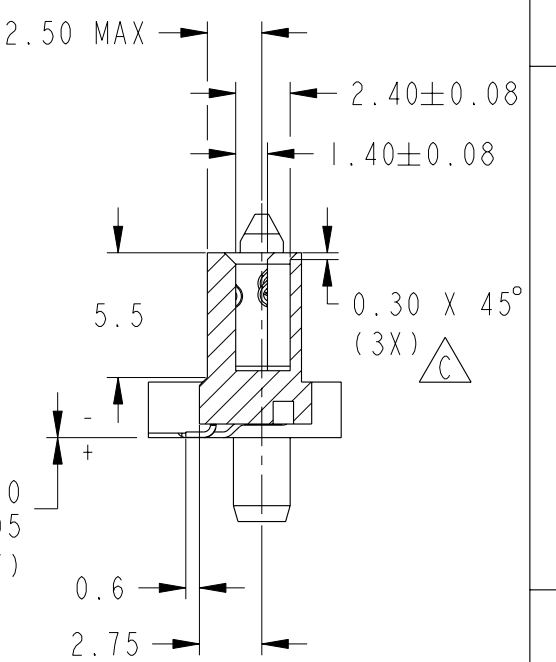
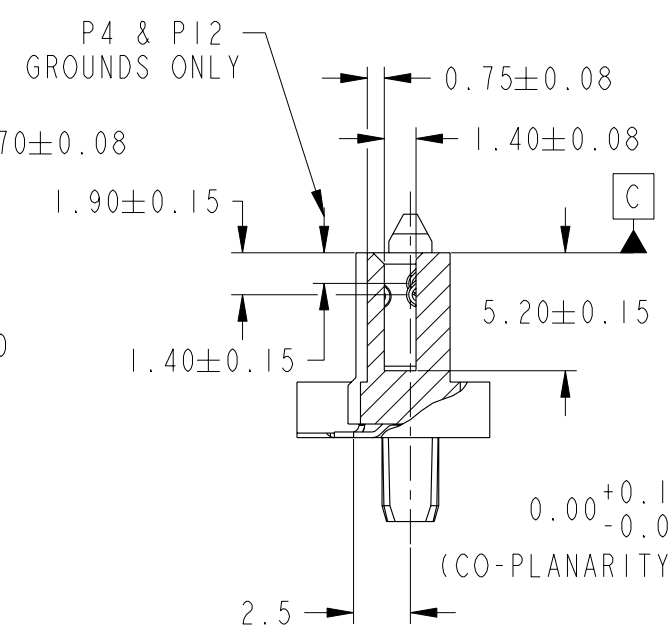
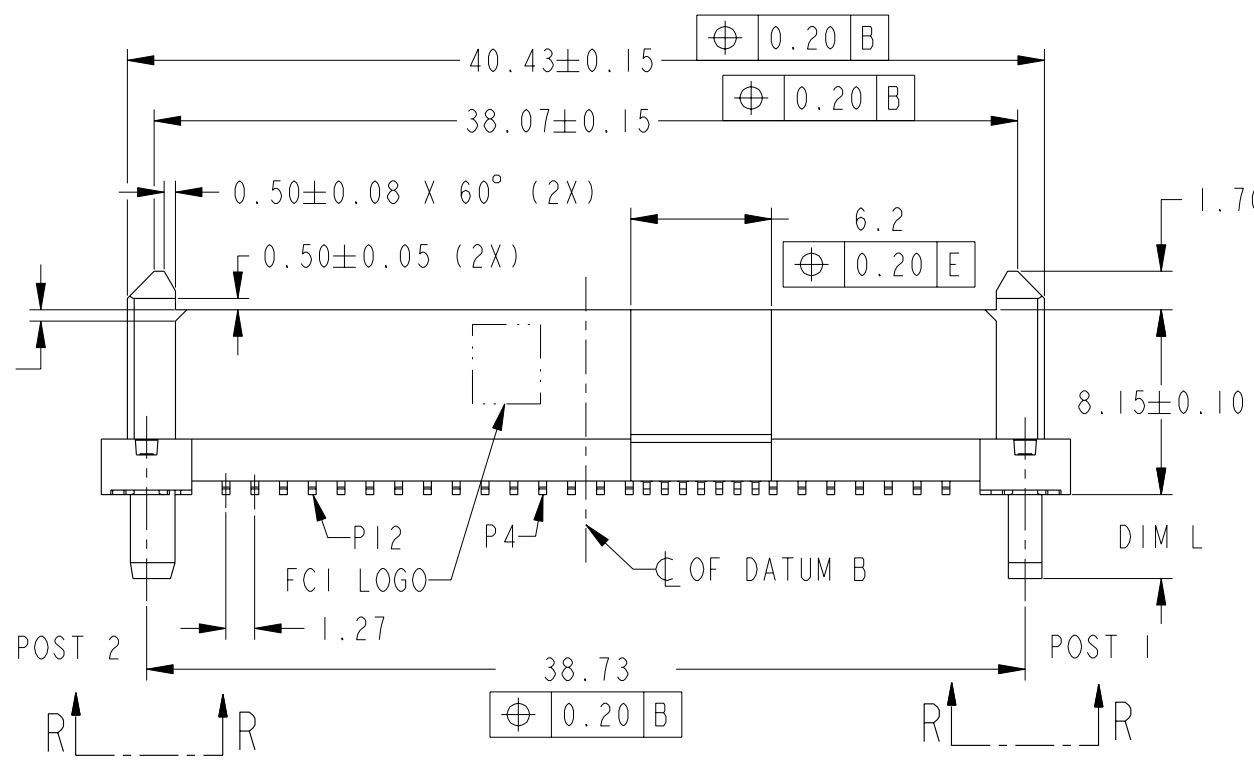
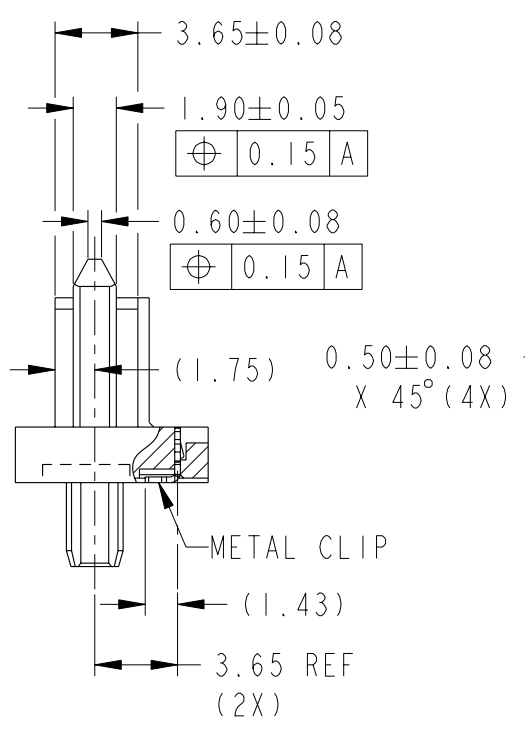
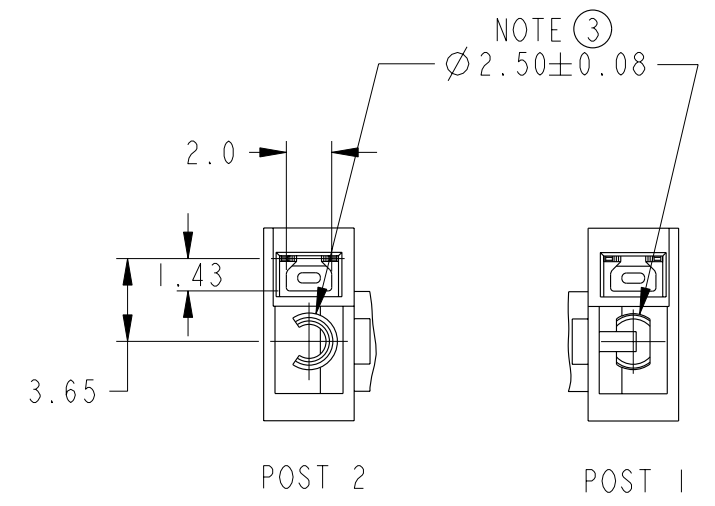
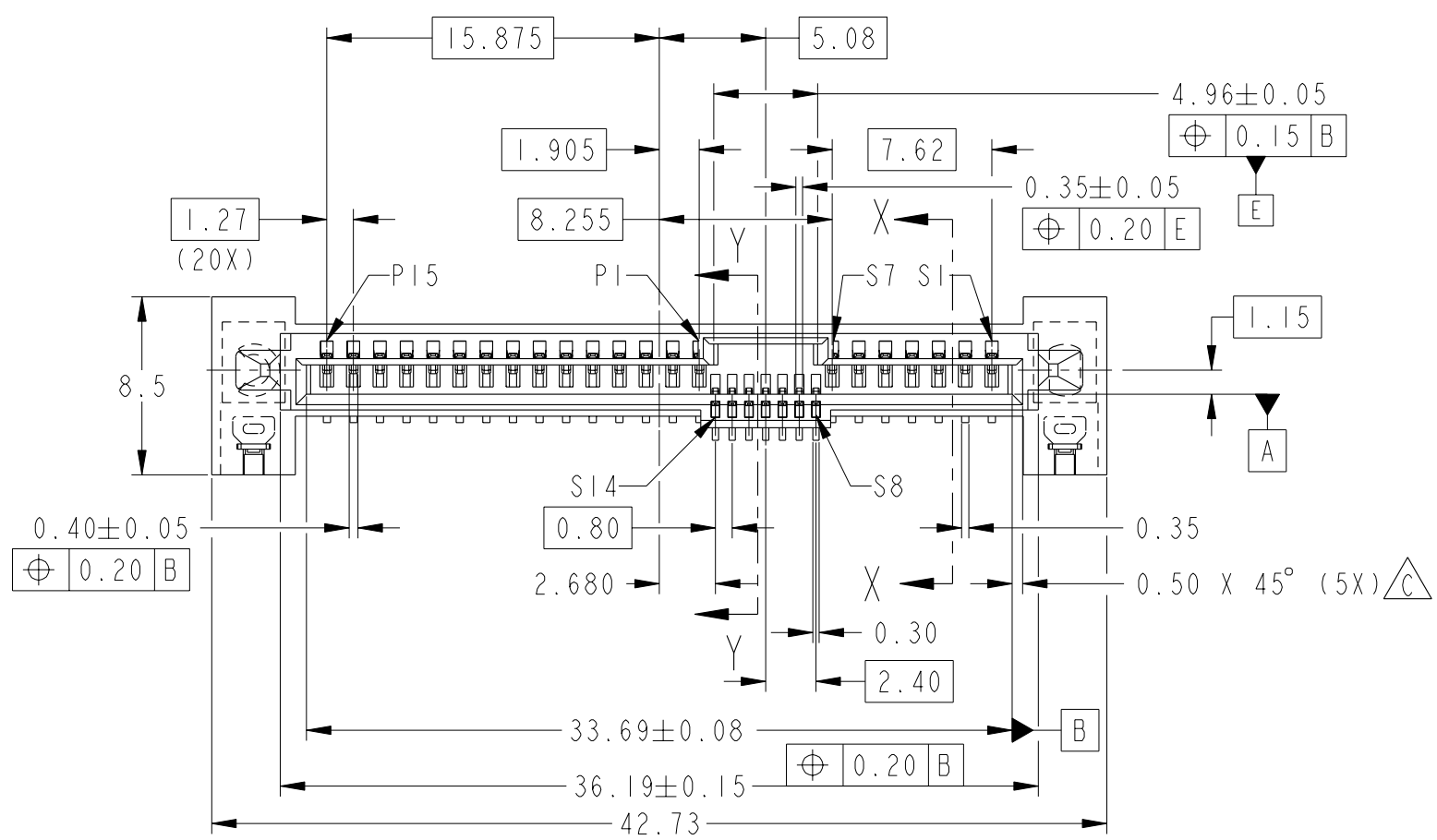


PRODUCT NO  
SEE TABLE



Copyright FCI.

SECTION Z-Z

SECTION X-X

SECTION Y-Y

|                                       |                     |       |         |            |            |    |           |          |           |     |
|---------------------------------------|---------------------|-------|---------|------------|------------|----|-----------|----------|-----------|-----|
| spec ref                              | -                   | dr    | GL LOO  | 2007-02-12 | projection | MM | size      | A3       | scale     | 3:1 |
| tolerance std                         | ISO 406<br>ISO 1101 | eng   | GL LOO  | 2007-02-12 |            |    | ecn no    | S10-0228 | rel level | -   |
| TOLERANCES UNLESS OTHERWISE SPECIFIED |                     | chr   | GL LOO  | 2010-10-28 |            |    |           |          |           |     |
| surface                               | ISO 1302            | appr  | JOEY NG | 2010-10-28 |            |    | rel level | -        |           |     |
|                                       | linear              | 0.X   | ±-      |            |            |    |           |          |           |     |
|                                       |                     | 0.XX  | ±0.20   |            |            |    |           |          |           |     |
|                                       |                     | 0.XXX | ±-      |            |            |    |           |          |           |     |
|                                       | angular             | 0°    | ±2°     |            |            |    |           |          |           |     |



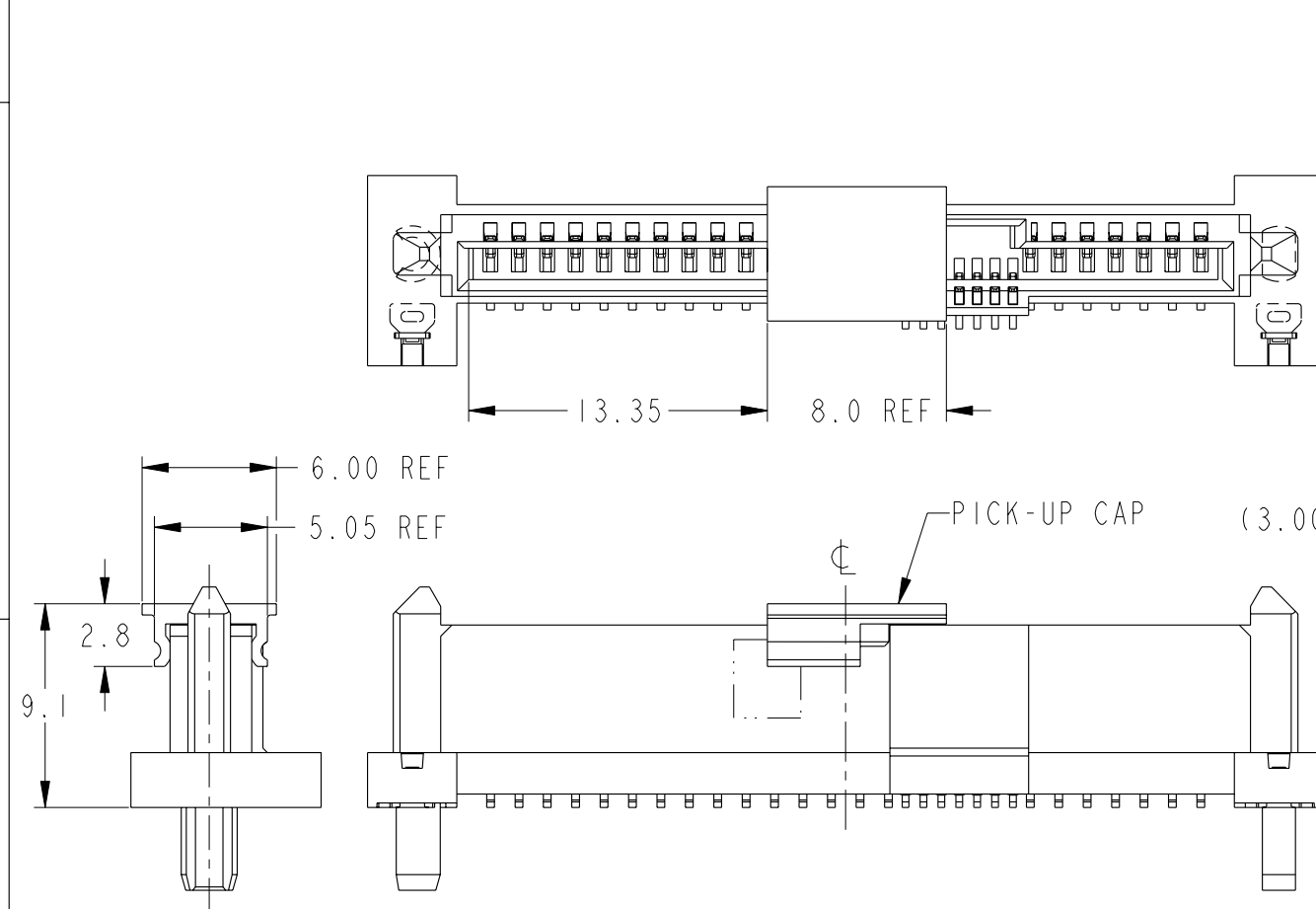
SAS RECEPTACLE  
WIDE BASE SMT

dwg no 10076579

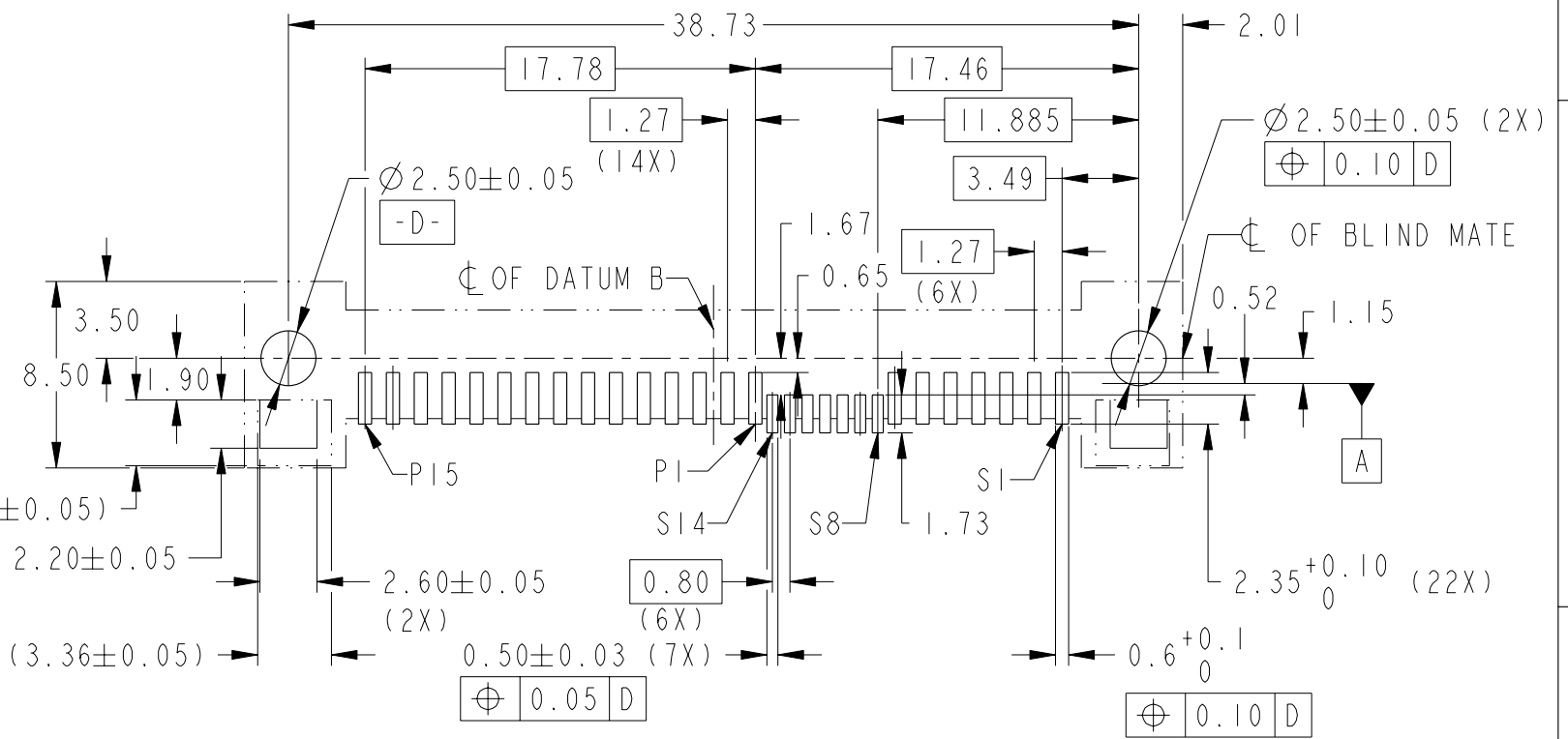
rev C

www.fci.com cat. no. - Product - Customer Drw sheet 1 of 3

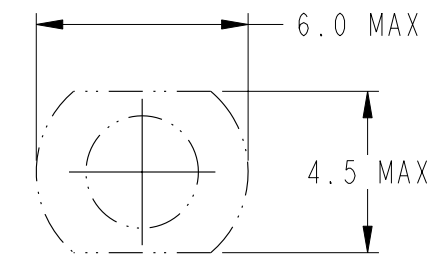
| PRODUCT NO         | DIM L | RECOMMENDED P.C. BOARD THICKNESS | PICK-UP CAP | PACKAGING   | REMARK |
|--------------------|-------|----------------------------------|-------------|-------------|--------|
| 10076579-001LF     | 3.7   | 4.57mm (0.018")                  | NO          | TRAY        | --     |
| 10076579-001CLF    | 3.7   |                                  | YES         |             |        |
| 10076579-001C-TRLF | 3.7   |                                  | YES         | TAPE & REEL |        |
| 10076579-002LF     | 2.0   | 2.54mm (0.100")                  | NO          | TRAY        | --     |
| 10076579-002CLF    | 2.0   |                                  | YES         |             |        |
| 10076579-002C-TRLF | 2.0   |                                  | YES         | TAPE & REEL |        |



PART WITH PICK-UP CAP, SEE NOTE ⑤



RECOMMENDED PCB LAYOUT




RECOMMENDED SUCTION HEAD SIZE

|                                       |                                    |             |          |                                 |             |                 |                       |                        |           |              |
|---------------------------------------|------------------------------------|-------------|----------|---------------------------------|-------------|-----------------|-----------------------|------------------------|-----------|--------------|
| spec ref                              | -                                  | dr          | GL LOO   | 2007-02-12                      | projection  | MM              | size                  | A3                     | scale     | 3:1          |
| tolerance std                         | ISO 406<br>ISO 1101                | eng         | GL LOO   | 2007-02-12                      |             |                 | ecn no                | S10-0228               | rel level | -            |
| TOLERANCES UNLESS OTHERWISE SPECIFIED |                                    | chr         | GL LOO   | 2010-10-28                      |             |                 |                       |                        |           |              |
| surface                               | ISO 1302                           | appr        | JOEY NG  | 2010-10-28                      |             |                 | rel level             | -                      | dwg no    | 10076579     |
| linear                                | 0.X ± -<br>0.XX ±0.20<br>0.XXX ± - |             |          | SAS RECEPTACLE<br>WIDE BASE SMT |             | rev             | C                     | Product - Customer Drw |           | sheet 2 of 3 |
| angular                               | 0° ±2°                             | www.fci.com | cat. no. | -                               | PDS: Rev :C | STATUS:Released | Printed: Nov 01, 2011 |                        |           |              |

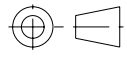
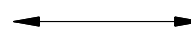


Copyright FCI. FCI

NOTES:

1. MATERIAL:
  - 1) HOUSING : HIGH TEMP TERMOPLASTIC, UL 94V-0
  - COLOUR : BLACK
  - 2) TERMINAL : COPPER ALLOY
  - 3) HOLD DOWN : COPPER ALLOY
2. FINISH :
  - 1) TERMINAL : 30µ" Au PLATING (CONTACT POINT) OVER 50µ" NICKEL
  - 2) SOLDER TAIL : 50µ" MIN Sn OVER 50µ" NICKEL
  - 3) HOLD DOWN : 50µ" MIN Sn OVER 50µ" NICKEL
- ③ THE DIM. IS MEASURED AT P.C. BOARD SITTING PLANE
- ④ PER SFF REV 1.3
- ⑤ PART WITH PICK-UP CAP, P/N XXXXXXXX-XXXC LF
- ⑥ THE STD PACKAGING IS IN TRAY
7. FOR TAPE & REEL PACKAGING, SUFFIX "-TR" ADDED.  
P/N XXXXXXXX-XXXC-TR LF
8. THE HOUSING WILL WITHSTAND EXPOSURE TO 260°C PEAK TEMPERATURE FOR 10 SECONDS IN A CONVECTION, INFRA-RED OR VAPOR PHASE REFLOW OVEN
- ⑨ THIS PRODUCT MEETS EUROPEAN UNION DIRECTIVES AND OTHER COUNTRY REGULATIONS AS DESCRIBED IN GS-22-008
- ⑩ PART NUMBERS ENDING IN "LF" MEANS FOR NOTE 8 LEAD FREE IDENTIFICATION
- ⑪ A  SYMBOL WILL BE NEXT TO ANY DIMENSION, VIEW, OR NOTE WHICH HAS BEEN MODIFIED WITH THE CURRENT DRAWING REVISION.



Copyright FCI.

|   |        |      |             |   |   |   |           |          |       |          |
|---|--------|------|-------------|---|---|---|-----------|----------|-------|----------|
| spec ref -  |        | dr   | GL LOO      | 2007-02-12  | projection<br> | MM<br> | size      | A3       | scale | 3:1      |
| tolerance std<br>ISO 406<br>ISO 1101  |        | eng  | GL LOO      | 2007-02-12  |   |   | ecn no    | S10-0228 |       |          |
| TOLERANCES UNLESS OTHERWISE SPECIFIED   |        | chr  | GL LOO      | 2010-10-28  |   |   | rel level | -        |       |          |
| surface  |        | appr | JOEY NG     | 2010-10-28  | product family  |   | SAS       |          |       |          |
| ISO 1302  | linear | 0.X  | ± -         |  | SAS RECEPTACLE  |   | dwg no    | 10076579 |       |          |
|   |        | 0.XX | ±0.20       |   |   |   |           |          |       |          |
|   | 0.XXX  | ± -  | www.fci.com |   |   |   |           |          |       | cat. no. |
| angular   | 0°     | ±2°  |             |   |   |   |           |          |       |          |