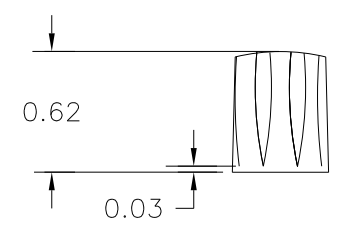
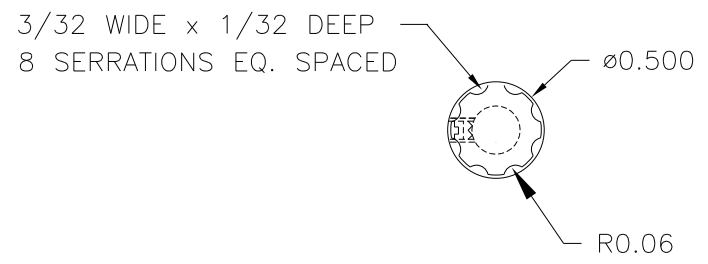


PART NAME: KNOB SCALE: FULL DATE: 3/20/96 DR. BY TD

THIS DRAWING IS THE PROPERTY OF DAVIES MOLDING COMPANY, IS SUBMITTED SOLELY AS A DESIGN OR ENGINEERING PROJECT. WE ACCEPT NO RESPONSIBILITY WHATSOEVER FOR THE PRACTICAL APPLICATION OF THE PIECES MADE TO THIS DESIGN.

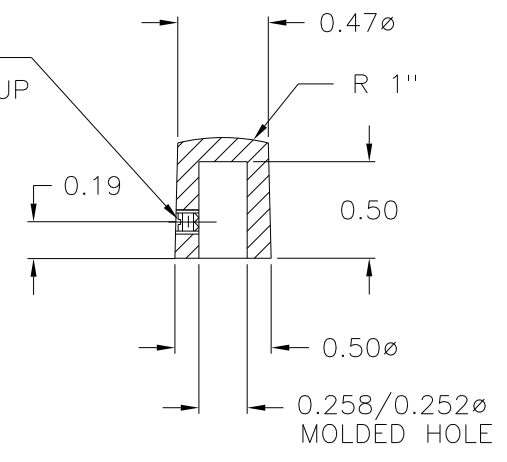
DAVIES MOLDING COMPANY
CAROL STREAM, ILLINOIS 60188

P/N 1900-L
BASE PART 1900-03
SET SCREW I0487



6-32 TAP.
6-32 THREAD. X 1/8 LG. CUP
POINTED, SOCKET TYPE,
SET SCREW I0487, (1)

(A)



MATERIAL: G.P. PHENOLIC (B11)
COLOR: BLACK

TOLERANCES: UNLESS OTHERWISE SPECIFIED	DO NOT SCALE DRAWING				
DECIMALS: X.XXX ± .005 X.XX ± .015	MM: X.XX ± 0.15MM X.X ± 0.4MM	-	UPDATED/HAD TOOLBOX	EV.	8/12/02
FRACTIONS ± 1/64	ANG. ± 1°	A	CORRECTED DWG. WAS SLOTTED S.S.	HD	9/23/97
CHANGES					