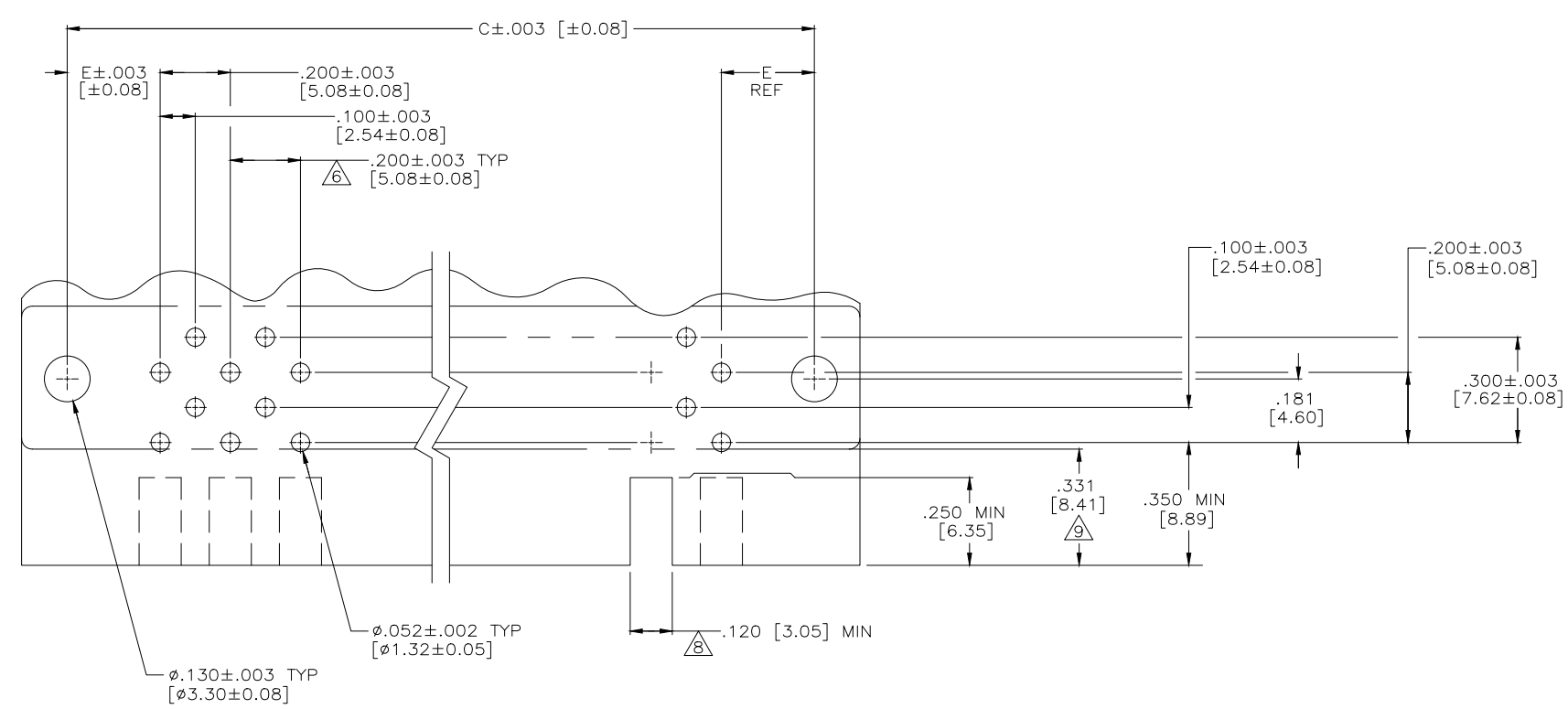
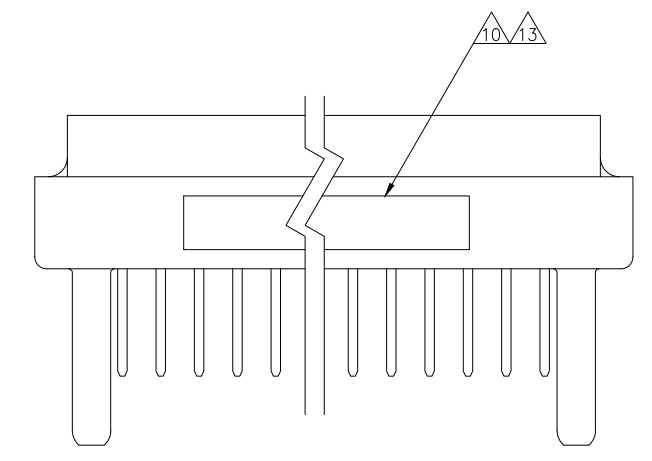
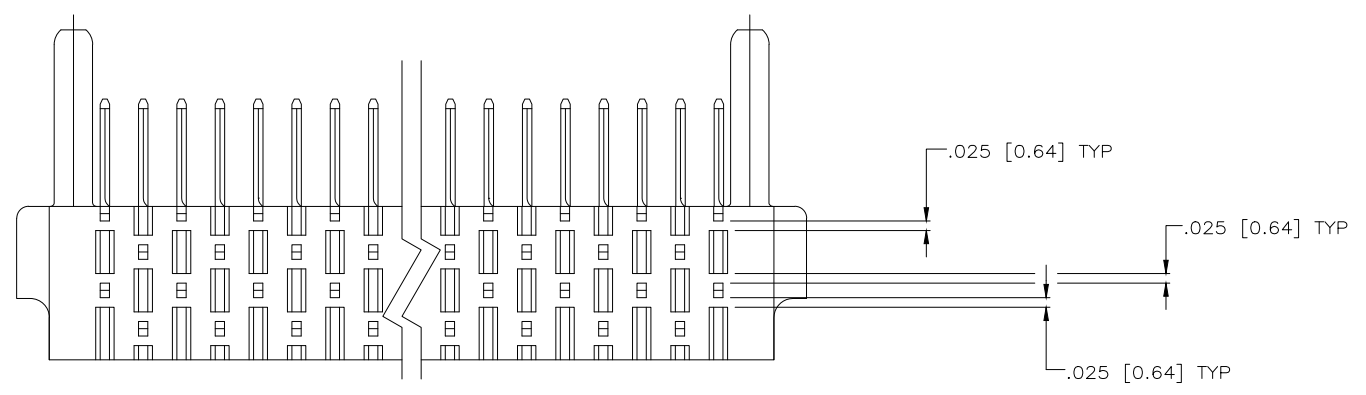
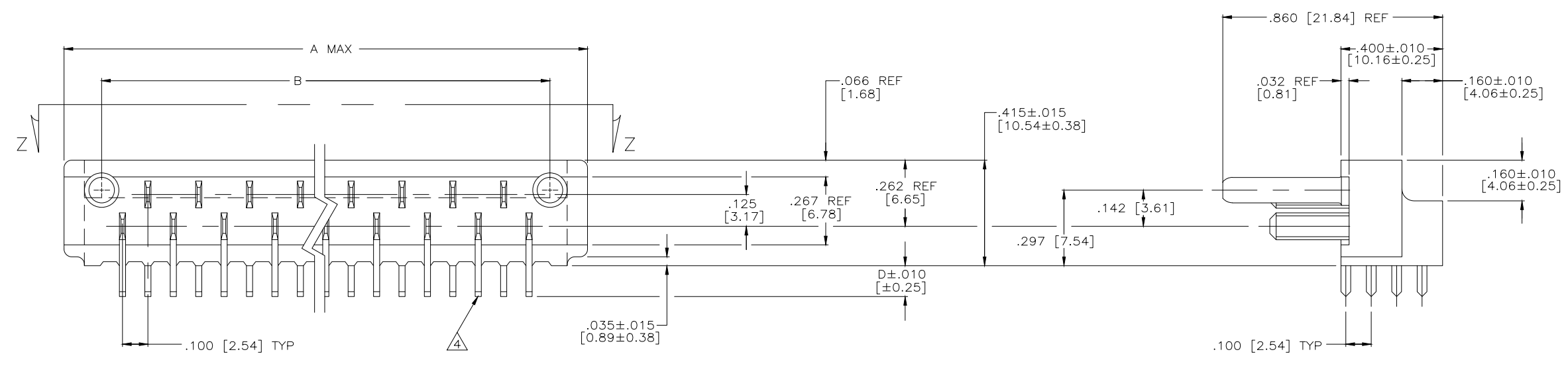


VIEW Z-Z

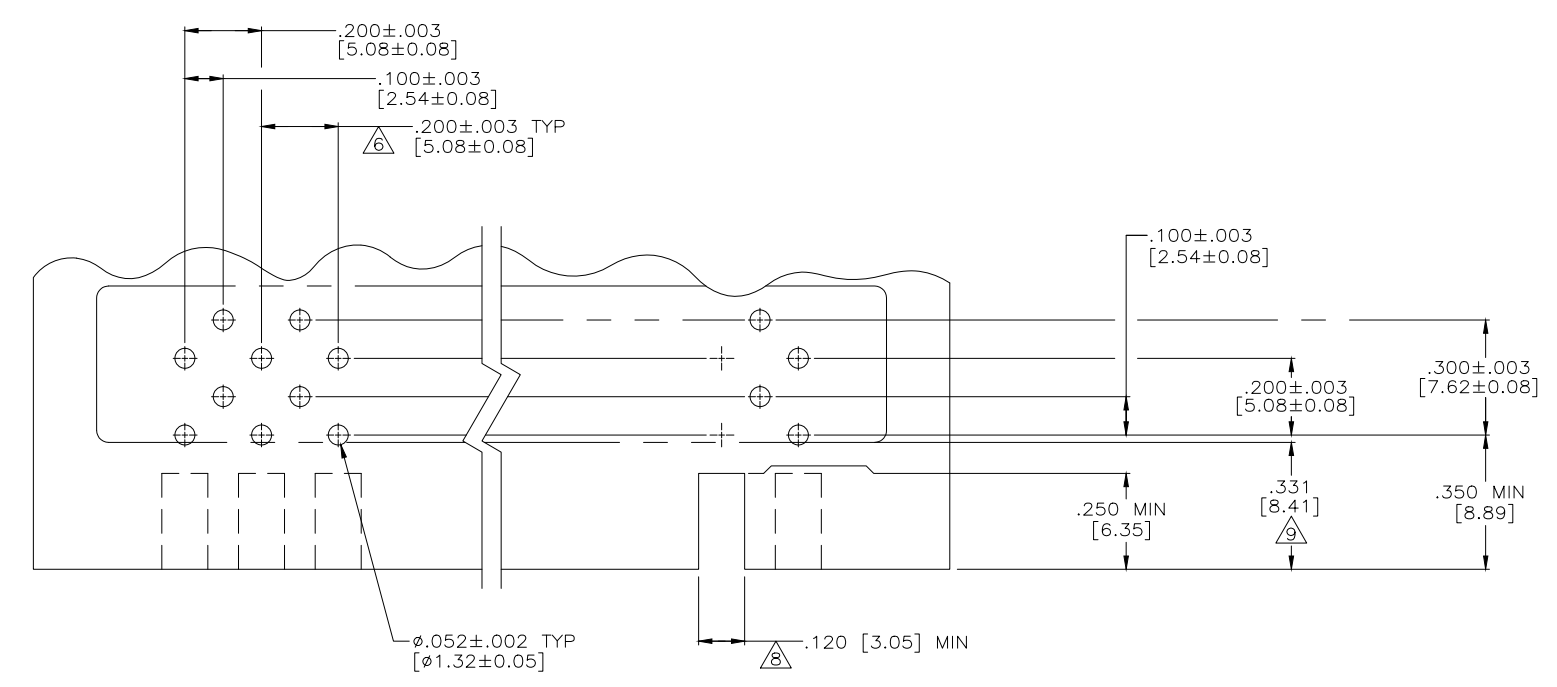


RECOMMENDED P.C. BOARD LAYOUT

THIS DRAWING IS A CONTROLLED DOCUMENT.		DWN RAGHAV SATISH 30JUN2015		
DIMENSIONS: INCHES		CHK CHARLES THOMAS 30JUN2015		
TOLERANCES UNLESS OTHERWISE SPECIFIED:		APVD CHARLES THOMAS 30JUN2015	NAME ASSEMBLY, AMP BLADE TAB HOUSING	
0 PLC ± - 1 PLC ± - 2 PLC ± - 3 PLC ± .005 [0.13] 4 PLC ± - ANGLES ± -		PRODUCT SPEC	RESTRICTED TO	
MATERIAL FINISH		APPLICATION SPEC	SIZE A1	CAGE CODE 00779
		WEIGHT	DRAWING NO 582152	SCALE 4:1
		CUSTOMER DRAWING	SHEET 1 OF 3	REV AW



VIEW Z-Z



RECOMMENDED P.C. BOARD LAYOUT

THIS DRAWING IS A CONTROLLED DOCUMENT.		DWN RAGHAV SATISH 30JUN2015		
DIMENSIONS: INCHES		CHK CHARLES THOMAS 30JUN2015		
TOLERANCES UNLESS OTHERWISE SPECIFIED:		APPD CHARLES THOMAS 30JUN2015	NAME ASSEMBLY, AMP BLADE TAB HOUSING	
0 PLC ± - 1 PLC ± - 2 PLC ± - 3 PLC ± .005 [0.13] 4 PLC ± - ANGLES ± -		PRODUCT SPEC	RESTRICTED TO	
MATERIAL SEE SHEET 1		FINISH SEE SHEET 1	WEIGHT	SIZE A1
CUSTOMER DRAWING		SCALE 4:1	DRAWING NO 00779	SHEET 2 OF 3
			REV 582152	REV AW

WITH MOUNTING HOLES

WITHOUT MOUNTING HOLES

PART NO.	NO OF CONT.	A	B	C	D	E	.PC. BD. THICKNESS	NOTE	MARKING
3-582152-1	17	2.390	1.764	2.130	.120	.265	.0625		-
3-582152-2	23	2.990	2.364	2.730	.120	.265	.0625		-
3-582152-3	29	3.590	2.964	3.330	.120	.265	.0625		-
3-582152-4	35	4.190	3.564	3.930	.120	.265	.0625		-
3-582152-5	41	4.790	4.164	4.530	.120	.265	.0625		-
3-582308-1	47	5.623	4.764	5.363	.120	.381	.0625		-
582852-4	41	4.790	4.164	4.530	.120	.265	.0625	△	-
4-582308-1	47	5.623	4.764	5.363	.120	.381	.0625	△	OBSOLETE-
4-582152-1	17	2.390	1.764	2.130	.120	.265	.0625	△	OBSOLETE-
4-582152-3	29	3.590	2.964	3.330	.120	.265	.0625	△	OBSOLETE-
5-582843-0	23	2.990	2.364	2.730	.120	.265	.0625	△	-
5-582843-1	47	5.623	4.764	5.363	.120	.381	.0625	△	-
582843-2	17	2.390	1.764	2.130	.120	.265	.0625		M 21097/ 14-01
582843-3	23	2.990	2.364	2.730	.120	.265	.0625		M 21097/ 14-04
582843-4	29	3.590	2.964	3.330	.120	.265	.0625		M 21097/ 14-07
582843-5	35	4.190	3.564	3.930	.120	.265	.0625		M 21097/ 14-10
582843-6	41	4.790	4.164	4.530	.120	.265	.0625		M 21097/ 14-13
582843-7	47	5.623	4.764	5.363	.120	.381	.0625		M 21097/ 14-16
582907-1	29	3.590	2.964	3.330	.120	.265	.0625	△	OBSOLETE-
6-582152-1	17	2.390	1.764	2.130	.152	.265	.0937		OBSOLETE-
6-582152-2	23	2.990	2.364	2.730	.152	.265	.0937		OBSOLETE-
6-582152-3	29	3.590	2.964	3.330	.152	.265	.0937		OBSOLETE-
6-582152-4	35	4.190	3.564	3.930	.152	.265	.0937		-
6-582152-5	41	4.790	4.164	4.530	.152	.265	.0937		-
6-582308-1	47	5.623	4.764	5.363	.152	.381	.0937		-
7-582308-1	47	5.623	4.764	5.363	.152	.381	.0937	△	OBSOLETE-
1-582843-4	17	2.390	1.764	2.130	.152	.265	.0937		M 21097/ 14-02
582843-1	23	2.990	2.364	2.730	.152	.265	.0937		M 21097/ 14-05
1-582843-5	29	3.590	2.964	3.330	.152	.265	.0937		M 21097/ 14-08
1-582843-6	35	4.190	3.564	3.930	.152	.265	.0937		M 21097/ 14-11
1-582843-7	41	4.790	4.164	4.530	.152	.265	.0937		M 21097/ 14-14
1-582843-8	47	5.623	4.764	5.363	.152	.381	.0937		M 21097/ 14-17
9-582152-1	17	2.390	1.764	2.130	.183	.265	.125		OBSOLETE-
9-582152-2	23	2.990	2.364	2.730	.183	.265	.125		OBSOLETE-
9-582152-3	29	3.590	2.964	3.330	.183	.265	.125		OBSOLETE-
9-582152-4	35	4.190	3.564	3.930	.183	.265	.125		OBSOLETE-
9-582152-5	41	4.790	4.164	4.530	.183	.265	.125		-
9-582308-1	47	5.623	4.764	5.363	.183	.381	.125		OBSOLETE-
2-582843-5	17	2.390	1.764	2.130	.183	.265	.125		M 21097/ 14-03
2-582843-6	23	2.990	2.364	2.730	.183	.265	.125		M 21097/ 14-06
2-582843-7	29	3.590	2.964	3.330	.183	.265	.125		M 21097/ 14-09
2-582843-8	35	4.190	3.564	3.930	.183	.265	.125		M 21097/ 14-12
2-982843-9	41	4.790	4.164	4.530	.183	.265	.125		M 21097/ 14-15
3-582843-0	47	5.623	4.764	5.363	.183	.381	.125		M 21097/ 14-18

PART NO.	NO OF CONT.	A	B	C	D	E	.PC. BD. THICKNESS	NOTE	MARKING
3-582152-6	17	2.070	1.764	-	.120	-	.0625		OBSOLETE-
3-582152-7	23	2.670	2.364	-	.120	-	.0625		-
3-582152-8	29	3.270	2.964	-	.120	-	.0625		-
3-582152-9	35	3.870	3.564	-	.120	-	.0625		-
3-582152-0	41	4.470	4.164	-	.120	-	.0625		-
3-582308-2	47	5.070	4.764	-	.120	-	.0625		-
2-582152-9	35	3.870	3.564	-	.120	-	.0625	△	-
582152-1	23	2.670	2.364	-	.120	-	.0625		-
582152-2	47	5.070	4.764	-	.120	-	.0625		-
582152-3	35	3.870	3.564	-	.120	-	.0625	△	-
582843-8	17	2.070	1.764	-	.120	-	.0625		M 21097/15-01
582843-9	23	2.670	2.364	-	.120	-	.0625		M 21097/15-04
1-582843-0	29	3.270	2.964	-	.120	-	.0625		M 21097/15-07
1-582843-1	35	3.870	3.564	-	.120	-	.0625		M 21097/15-10
1-582843-2	41	4.470	4.164	-	.120	-	.0625		M 21097/15-13
1-582843-3	47	5.070	4.764	-	.120	-	.0625		M 21097/15-16
6-582152-6	17	2.070	1.764	-	.152	-	.0937		OBSOLETE-
6-582152-7	23	2.670	2.364	-	.152	-	.0937		-
6-582152-8	29	3.270	2.964	-	.152	-	.0937		OBSOLETE-
6-582152-9	35	3.870	3.564	-	.152	-	.0937		OBSOLETE-
6-582152-0	41	4.470	4.164	-	.152	-	.0937		-
6-582308-2	47	5.070	4.764	-	.152	-	.0937		-
1-582843-9	17	2.070	1.764	-	.152	-	.0937		M 21097/15-02
2-582843-0	23	2.670	2.364	-	.152	-	.0937		M 21097/15-05
2-582843-1	29	3.270	2.964	-	.152	-	.0937		M 21097/15-08
2-582843-2	35	3.870	3.564	-	.152	-	.0937		M 21097/15-11
2-582843-3	41	4.470	4.164	-	.152	-	.0937		M 21097/15-14
2-582843-4	47	5.070	4.764	-	.152	-	.0937		M 21097/15-17
9-582152-6	17	2.070	1.764	-	.183	-	.125		OBSOLETE-
9-582152-7	23	2.670	2.364	-	.183	-	.125		OBSOLETE-
9-582152-8	29	3.270	2.964	-	.183	-	.125		OBSOLETE-
9-582152-9	35	3.870	3.564	-	.183	-	.125		OBSOLETE-
9-582152-0	41	4.470	4.164	-	.183	-	.125		OBSOLETE-
9-582308-2	47	5.070	4.764	-	.183	-	.125		OBSOLETE-
3-582843-1	17	2.070	1.764	-	.183	-	.125		M 21097/15-03
3-582843-2	23	2.670	2.364	-	.183	-	.125		M 21097/15-06
3-582843-3	29	3.270	2.964	-	.183	-	.125		M 21097/15-09
3-582843-4	35	3.870	3.564	-	.183	-	.125		M 21097/15-12
3-582843-5	41	4.470	4.164	-	.183	-	.125		M 21097/15-15
3-582843-6	47	5.070	4.764	-	.183	-	.125		M 21097/15-18

- TAB-HOUSING ASSEMBLY MATES WITH AMP P/N 3-582151 SERIES.
 - BLADE CENTER LINE TO BE MEASURED FROM THE CENTER LINE FORMED BY THE ALIGNMENT PINS & AS LONG AS THE BLADES FALL WITHIN TOLERANCES INDICATED, THE ALLOWABLE WARPAGE IS INDEPENDENT OF THE BLADES & BECOMES A MEASUREMENT OF THE OUTSIDE SURFACE OF THE TAB-HOUSING & DOES NOT EFFECT THE MATING OF THIS TAB-HOUSING WITH 582151.
- △3 MOUNTING HOLES.
 - △4 POST TO BE SOLDER DIPPED. CONN. MUST MEET REQUIREMENTS OF AMP SPEC 109-11-1.
 - △5 CONTACT MATL.; GILDING METAL. GOLD OVER NICKEL.
 - △6 TOLERANCE NON CUMULATIVE.
 - △7 TAB-HOUSING MATL.; DIALYL PHTHALATE, GLASS FILLED PER MIL-M-14, TYPE S.D.G.-F. COLOR; GREEN.
 - △8 CUT OUT FOR KEYING BOSS, LOCATED WHERE REQD. (OPTIONAL)
 - △9 FROM EDGE OF P.C. BOARD TO FACE OF TAB-HOUSING.
 - △10 TYCO ELECTRONICS P/N NOT TO BE MARKED ON PART. AMP, DATE CODE, AND CUSTOMER PART NO. MARKED PER TABLE.
 - △11 CONTACT FINISH; .0001 THK. GOLD, OVER NICKEL.
 - △12 TAB-HOUSING MATL.; COLOR, GREY.
 - △13 AMP, TYCO ELECTRONICS PART NO. AND DATE CODE MARKED PER TABLE IN THIS APPROX AREA.
 - △14 CUSTOMER PART NO. MARKED PER TABLE IN THIS APPROX AREA.

THIS DRAWING IS A CONTROLLED DOCUMENT.		DWN RAGHAV SATISH 30JUN2015		
DIMENSIONS: INCHES		CHK CHARLES THOMAS 30JUN2015		
TOLERANCES UNLESS OTHERWISE SPECIFIED:		APPD CHARLES THOMAS 30JUN2015	NAME ASSEMBLY, AMP BLADE TAB HOUSING	
0 PLC ± - 1 PLC ± - 2 PLC ± - 3 PLC ± .005 [0.13] 4 PLC ± - ANGLES ± -		PRODUCT SPEC	RESTRICTED TO	
MATERIAL SEE SHEET 1	FINISH SEE SHEET 1	APPLICATION SPEC	SIZE A1	CAGE CODE 00779
CUSTOMER DRAWING		WEIGHT -	DRAWING NO C=582152	SCALE 4:1
		SHEET 3 OF 3		REV AV