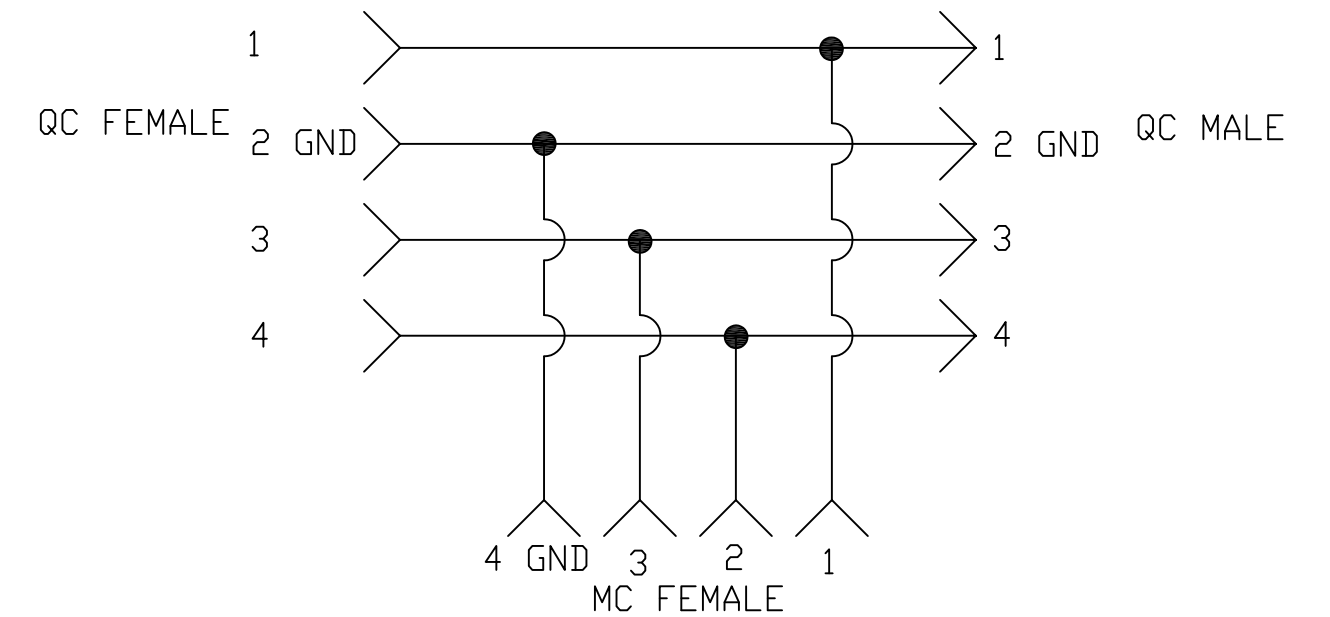
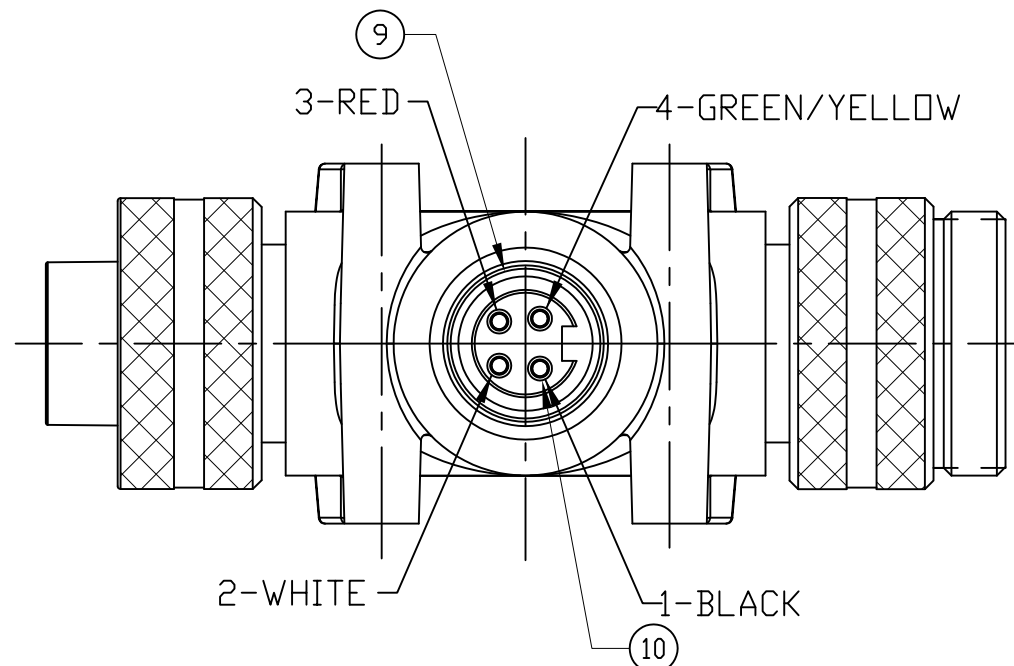
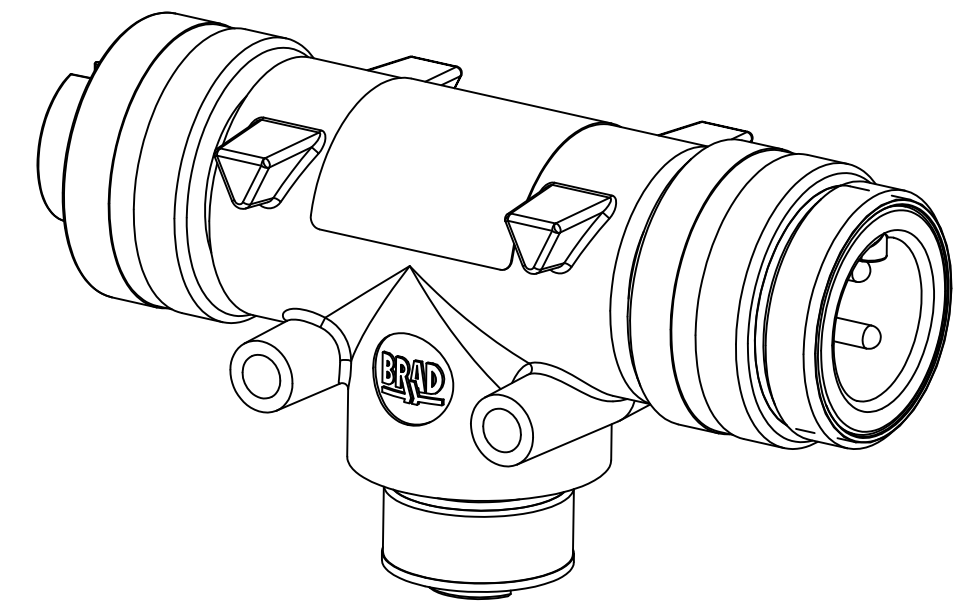
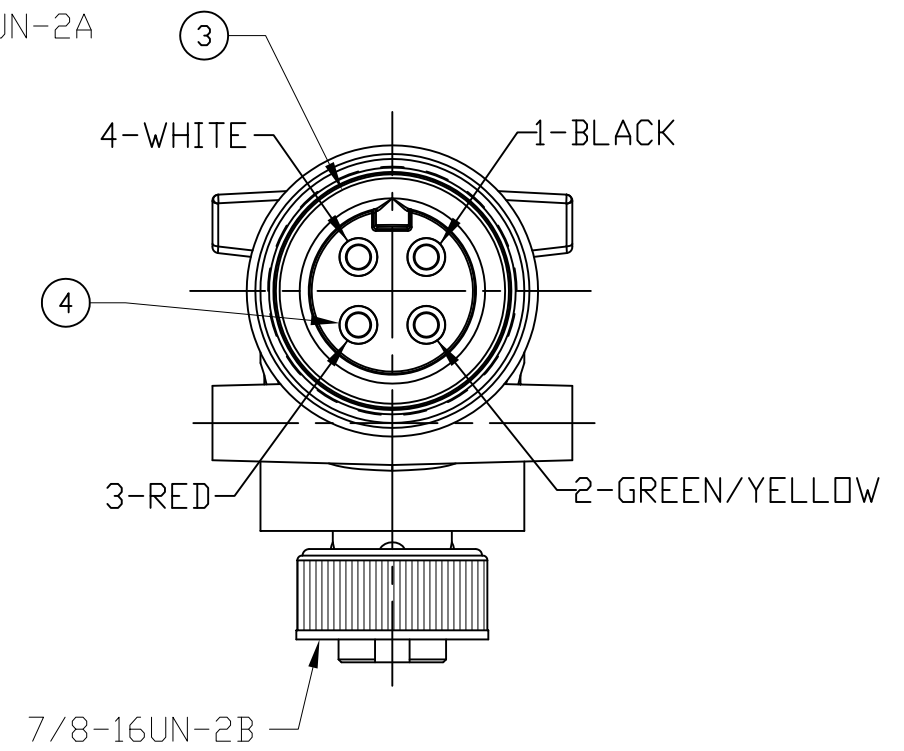
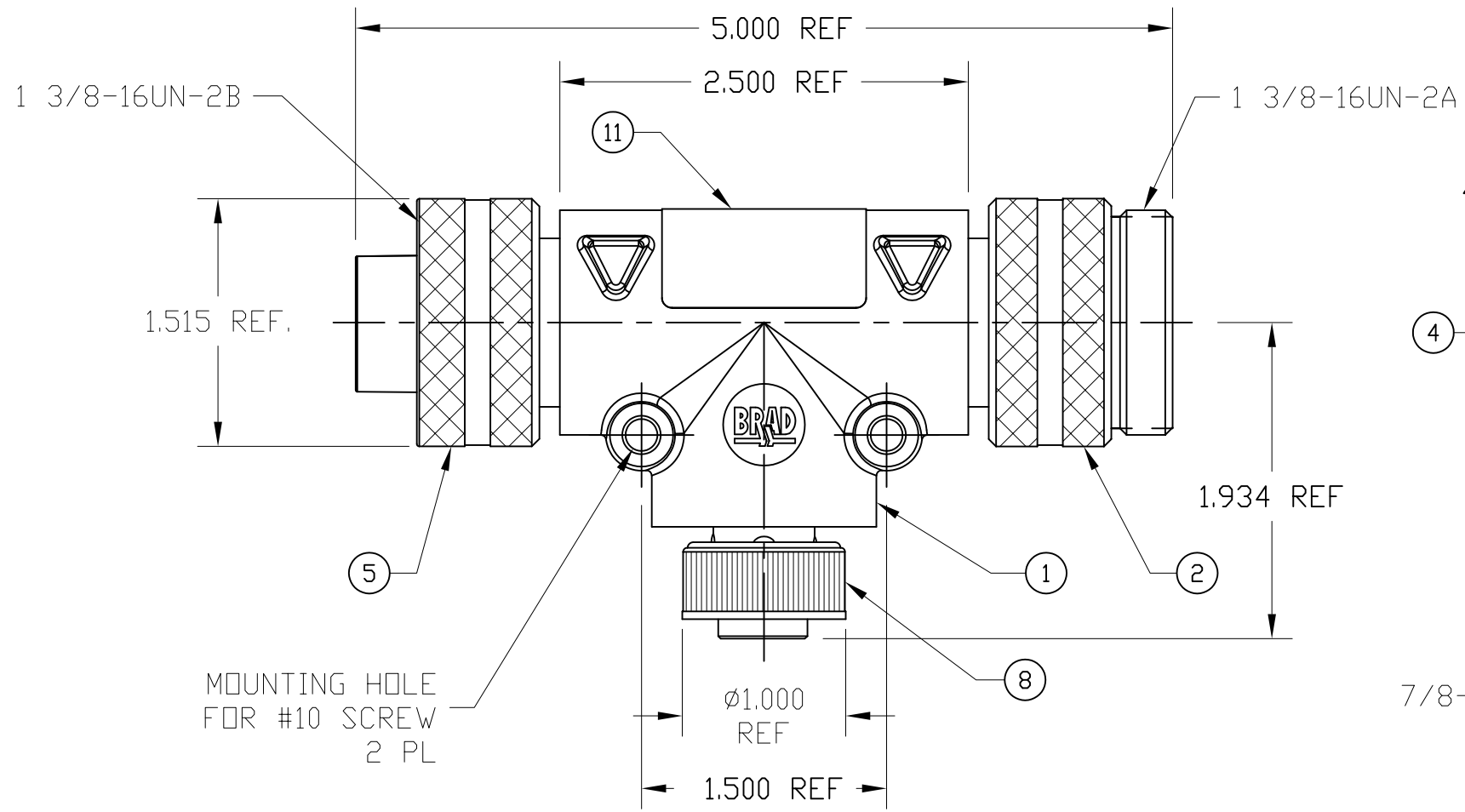
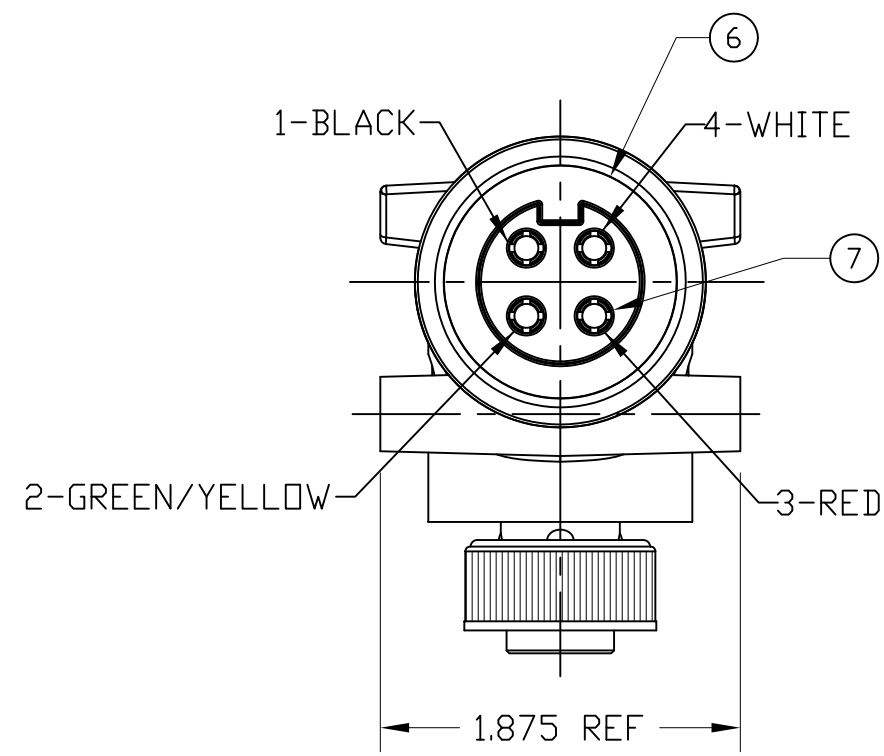


PART NUMBER	ENGINEERING NUMBER
1300680069	TC40140-200



WIRE DIAGRAM

NOTE:

- 1) LABEL IS MARKED WITH P/N, DATE CODE, VOLTAGE & AMPERAGE
- 2) ELECTRICAL DATA:
REDUCING TEE QC TO MC
POLES: 4
MAX. VOLTAGE: 600V AC/DC
MAX. THRU CURRENT: 25A
MAX. DROP CURRENT: 15A
PROTECTION: IP67
TEMPERATURE RANGE: -20°C TO 90°C
- 3) PACKAGING:
ASSEMBLIES ARE BAGGED SEPERATELY IN POLY BAGS WITH BAR CODE LABEL ATTACHED TO THE OUTSIDE OF THE BAG.
- 4) ASSEMBLY IS RoHS COMPLIANT
- 5) CERTIFICATION:
UL LISTED/CSA CERTIFIED , FILE E258922

ITEM	QTY	DESCRIPTION	MATERIAL	FINISH
11	1	LABEL	PLASTIC FILM	BLACK/YELLOW
10	4	MC SOCKET CONTACT	COPPER ALLOY	GOLD PLATED
9	1	MC FEMALE INSERT	PVC	BLACK
8	1	MC COUPLING NUT	ZINC ALLOY	BLACK E-COAT
7	4	QC SOCKET CONTACT	COPPER ALLOY	GOLD PLATED
6	1	QC FEMALE INSERT	PVC	BLACK
5	1	QC FEMALE COUPLING NUT	ALUMINUM	CLEAR ANODIZE
4	4	QC PIN CONTACT	COPPER ALLOY	GOLD PLATED
3	1	QC MALE INSERT	PVC	BLACK
2	1	QC MALE COUPLING NUT	ALUMINUM	CLEAR ANODIZE
1	1	OVERMOLD	PVC	GRAY

RELEASED EC NO: WNA2010-0424 DRWN: KJOZWIK 2010/01/14 CH'KD: BWOODMAN APPR: JFMURPHY 2010/01/15	DESCRIPTION A	REV	QUALITY SYMBOL $\nabla=0$ $\sphericalangle=0$	GENERAL TOLERANCES (UNLESS SPECIFIED)	DIMENSION STYLE IN/MM	SCALE 1:1	DESIGN UNITS INCH	THIRD ANGLE PROJECTION
			4 PLACES ±--- ±--- 3 PLACES ±--- ±.005 2 PLACES ±0.13 ±.010 1 PLACE ±0.25 ±.020	DRAWN BY KJOZWIK	DATE 2010/01/14	TITLE BRAD POWER QC 4 POLE TEE W/4 POLE MC DROP		
			ANGULAR ±1/2°	CHECKED BY BWOODMAN	DATE 2010/01/14	MOLEX INCORPORATED		
			DRAFT WHERE APPLICABLE MUST REMAIN WITHIN DIMENSIONS	APPROVED BY JFMURPHY	DATE 2010/01/15	MATERIAL NO. SEE TABLE	DOCUMENT NO. SD-130068-009	SHEET NO. 1 OF 1

THIS DRAWING CONTAINS INFORMATION THAT IS PROPRIETARY TO MOLEX INCORPORATED AND SHOULD NOT BE USED WITHOUT WRITTEN PERMISSION