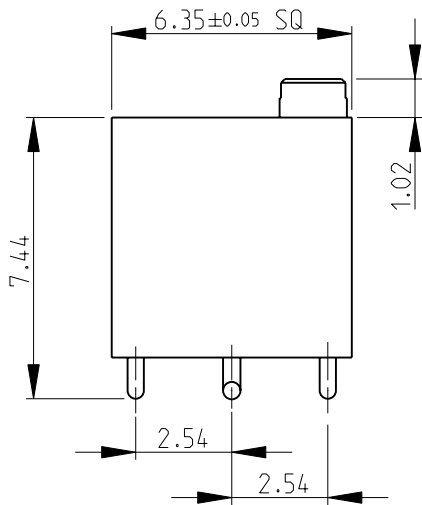
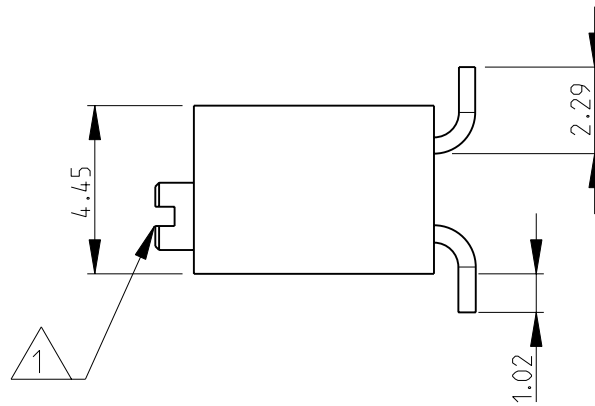
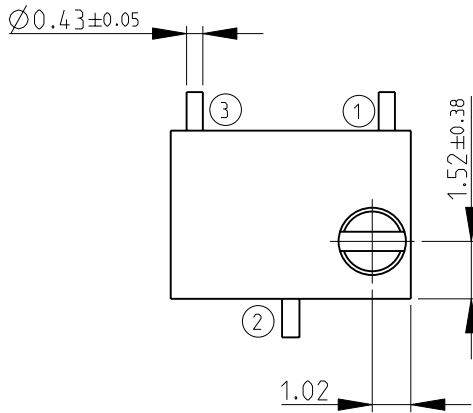


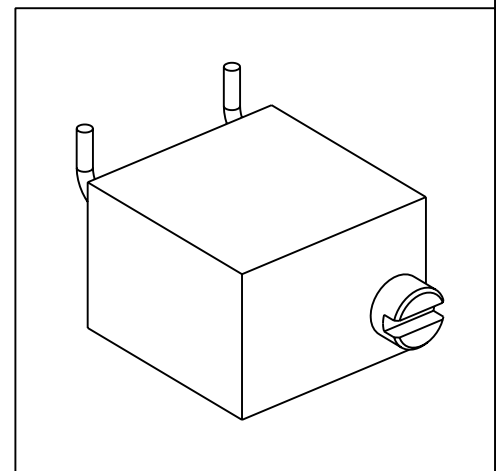
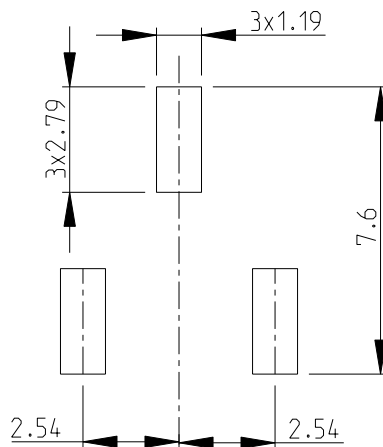
LOC	DIST	REVISIONS					
E	B	P	LTR	DESCRIPTION	DATE	DWN	APVD
			BA	NEW RELEASE	01-DEC-08	SM	St.P



- 1 ADJUSTMENT SLOT: $\varnothing 1.78$; WIDTH- 0.51; DEPTH- 0.51
- 2 FOR FURTHER INFORMATION SEE DATA SHEET FOR 3270 SERIES-SMD PROFESSIONAL TRIMMERS

RoHS Compliant

RECOMMENDED LAND PATTERN



2008

RELEASED FOR PUBLICATION

THIS DRAWING IS UNPUBLISHED.

© COPYRIGHT 2008 BY TYCO ELECTRONICS CORPORATION. ALL RIGHTS RESERVED.

DIMENSIONS: mm	DWN	SUBHASH.M	01-DEC-08	MATERIAL	-	FINISH	-	
	CHK	PRAKASH.S	01-DEC-08	Tyco Electronics Corporation Dorcan, Swindon, SN3 5HH				
TOLERANCES UNLESS OTHERWISE SPECIFIED:	APVD	STEPHEN.P	01-DEC-08					
	0 PLC	±0.2	PRODUCT SPEC	NAME SMD PROFESSIONAL TRIMMERS SERIES 3270W				
1 PLC	±0.1	APPLICATION SPEC	SIZE					CAGE CODE
2 PLC	±		A 4	00779	© = 1623912	-		
3 PLC	±		CUSTOMER DRAWING				SCALE	5:1
4 PLC	±						SHEET	1 OF 1
ANGLES	±5°						REV	BA