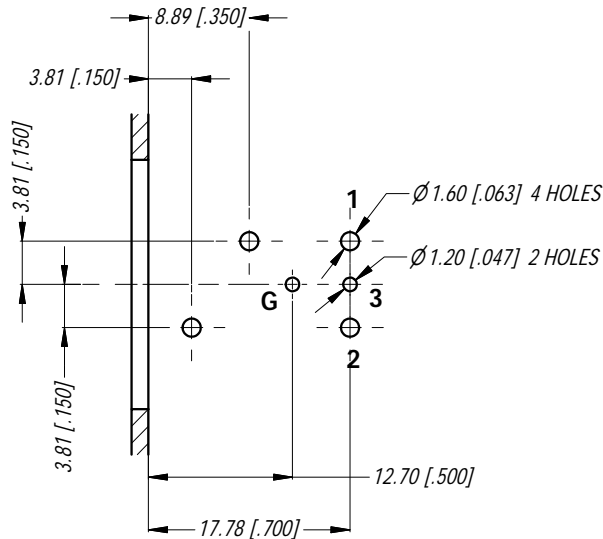


MIN MOUNTING PITCH (1:1)

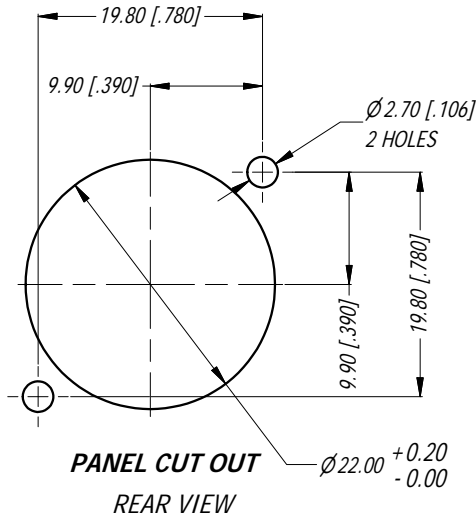


**PCB LAYOUT**

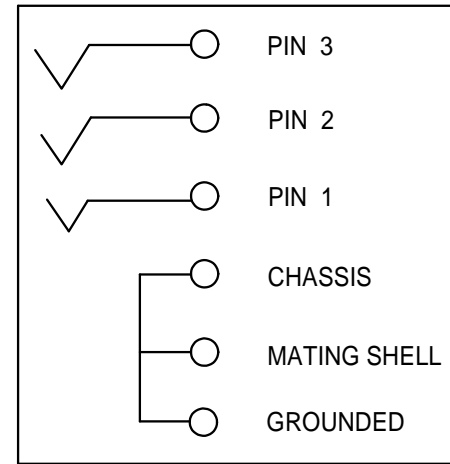
TOLERANCE:  $\pm 0.05$  [ $\pm 0.002$ ]

NOTE: DIMENSIONS IN PARENTHESES ARE IN INCHES.

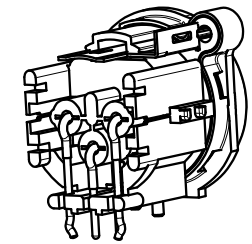
NOTE: SUFFIX "B" IN THE PART No. INDICATES BULK PACK



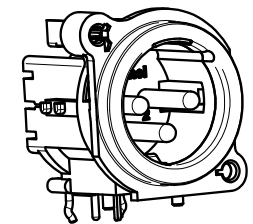
PANEL CUT OUT  
REAR VIEW



SCHMATIC CHART



3D VIEW (1:1)



REV	DESCRIPTION	DATE	BY	CHG No
2	ADD SUFFIX B TO PART No.	27/08/15	T.N	9318
1	ADD SCHEMATIC CHART	06/26/09	A.O	8793
0	FIRST ISSUE	03/09/07	T.N	8686

REVISION HISTORY

UNLESS OTHERWISE SPECIFIED TOLERANCE TO BE:		THIS DOCUMENT IS THE PROPERTY OF AMPHENOL AUSTRALIA PTY. LTD. NO PART THEREOF MAY BE REPRODUCED AND USED WITHOUT THE PRIOR WRITTEN CONSENT OF THE OWNER			
LINEAR	ANGULAR	CAD FILE:	DRN:	T.N	DATE:
X ±0.5	X° ±1	55010469000211	CKD:	P.M	04/09/07
X.X ±0.1	X.X° ±30°	MATL:	REFER TO COMPONENTS	APP'D:	06/26/09
X.XX ±0.05	X.XX° ±15°	DO NOT SCALE	FINISH:	REFER TO COMPONENTS	DATE:
BREAK ALL SHARP EDGES AND REMOVE ALL BURRS		SCALE:	1.5:1	PART No:	AC3MBH2-AU-B
DIMENSIONS IN MILLIMETRES		THIRD ANGLE PROJECTION	SIZE:	A4	

TITLE:		<b>Amphenol</b>	
<b>XLR MALE B TYPE CONNECTOR</b>		Amphenol Australia Pty.Ltd. 2 Fiveways Blvd. Keysborough, Vic3173	
<b>CUSTOMER DWG</b>		DRAWING NO.	SHEET
		55010469-000-2	2/2