

General Specifications

Motor Protection:

Auto Restart/Polarity Protection

Insulation Resistance:

10M Ω or over with a DC500V Megger

Dielectric Withstand Voltage: AC 700V 1s

Allowable Ambient Temperature Range:

L ~ M Class: -10°C ~ +70°C (Operating)

N Class: -10°C ~ +60°C (Operating)

All Class: -40°C ~ +70°C (Storage)
(non-condensing environment)

Expected Life

40°C 40,000 Hours (L10)

Material

Casing : Plastic (Black) UL94V-0

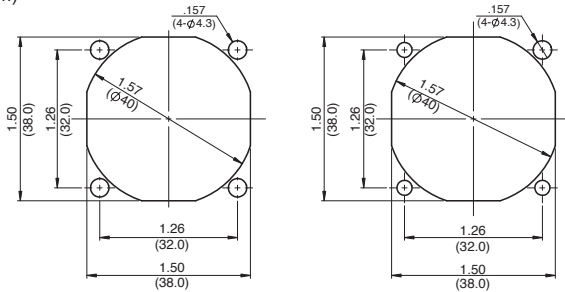
Impeller : Plastic (Black) UL94V-0

Bearing : Sleeve Bearing

Lead Wire : UL1061, AWG26, +Red, -Black, (tach) White

Panel Cut-Outs

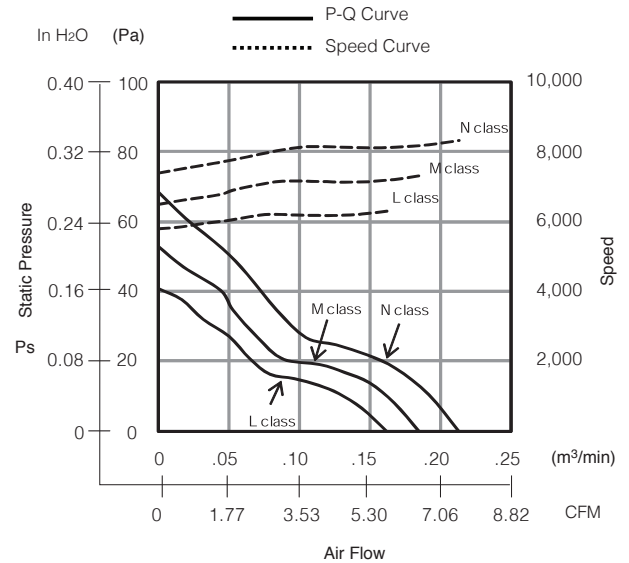
Units: $\frac{\text{inch}}{\text{mm}}$



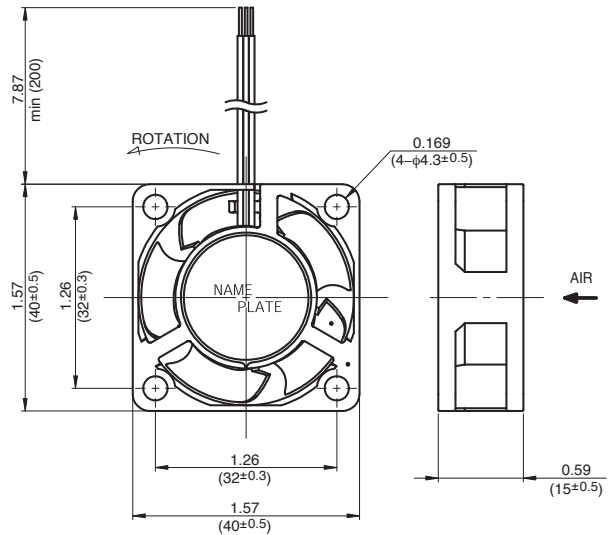
INLET SIDE

OUTLET SIDE

Characteristic Curves



Outline



Specifications

MODEL	Rated Voltage	Operating Voltage	Current	Input Power	Speed	Max. Air Flow		Max. Static Pressure		Noise	Mass
	(V)	(V)	(A) ^{*1}	(W) ^{*1}	(min ⁻¹) ^{*1}	CFM ^{*1}	(m ³ /min) ^{*1}	in H ₂ O	(Pa) ^{*1}	(dB) ^{*1}	(g)
04015SS-12L-AT-00	12	6.0 ~ 13.8	0.04	0.48	6300	5.65	.16	.16	40.0	26.0	23
04015SS-12M-AT-00	12	6.0 ~ 13.8	0.05	0.60	7300	6.36	.18	.21	52.0	29.0	23
04015SS-12N-AT-00	12	6.0 ~ 13.8	0.06	0.72	8300	7.42	.21	.27	68.0	32.0	23
04015SS-24L-AT-00	24	10.0 ~ 27.6	0.025	0.60	6300	5.65	.16	.16	40.0	26.0	23
04015SS-24M-AT-00	24	10.0 ~ 25.2	0.04	0.96	7300	6.36	.18	.21	52.0	29.0	23
04015SS-24N-AT-00	24	10.0 ~ 25.2	0.05	1.20	8300	7.42	.21	.27	68.0	32.0	23

Rotation: Clockwise

Airflow Outlet: Air Out Over Struts

*1: Average Values in Free Air

Note: PWM/Locked Rotor/Tach Available