

WATER-TIGHT Incandescent Indicators

with RETAINED O-RING SEALS – TWO TERMINALS - FULLY INSULATED

WATER-TIGHT, OIL-TIGHT, DUST-TIGHT ON THE FACE OF THE PANEL

For mounting in 15/32" clearance hole



T-1 3/4
MIDGET
FLANGE BASE

See lamp ratings
on page J.

MEET OR EXCEED ENVIRONMENTAL AND OPERATIONAL REQUIREMENTS
OF MIL-L-6723 AND MIL-L-3661B

Assemblies with Mechanical Dimmer Caps provide adjustable intensity of light emission: Rotatable shutters decrease the size of 3 triangular openings from maximum light to complete blackout. In "complete blackout" no light is emitted. In "semi-blackout," the shutters have a small permanent central opening which permits a spot of light to reach the lens. This prevents missing a danger signal when the shutters are inadvertently closed.

MATERIALS AND FINISHES

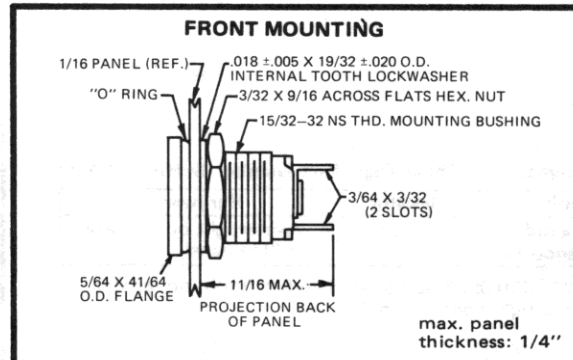
- Mounting Bushing: Brass, black nickel finish.
- Mounting Nut: Brass, white nickel finish.
- Internal-tooth Lockwasher: Phosphor bronze, white nickel finish.
- Terminals: Brass, hot tinned with elongated slot.

DIMMER TYPE



174-8430-0111-203
175-8430-0111-203

174 SERIES
175 SERIES



BASE PART NUMBERS

101-8430-09-203

CAP PART NUMBERS	COMPLETE ASSEMBLY PART NUMBERS
<p>CONVEX Mech. Dimmer— Complete Blackout 174-0131-203 unfrosted</p>	174-8430-0131-203
174-0111-203 back frosted	174-8430-0111-203
<p>Mech. Dimmer— Semi Blackout 175-0131-203 unfrosted</p>	175-8430-0131-203
175-0111-203 back frosted	175-8430-0111-203

Part numbers listed in this catalog designate products with RED lens.
For ordering lens colors other than red, consult chart on page 4C.

Part numbers shown in gray are normally
in inventory at your Dialight Distributor.

Order complete with lamp to be assured of receiving the indicator
light and correct lamp together for immediate use.