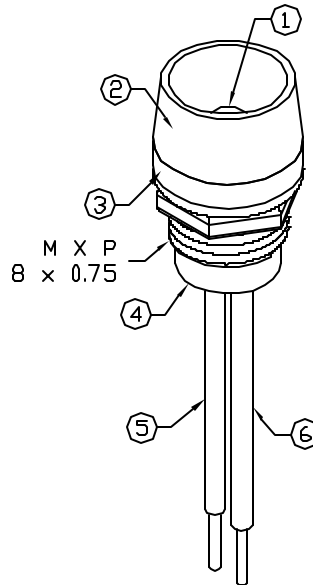
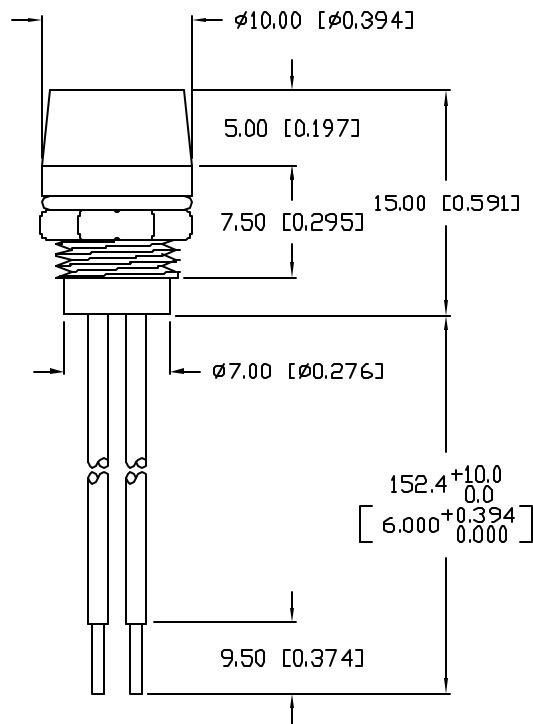


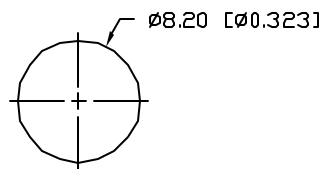
UNCONTROLLED DOCUMENT



NOTES:

1. SSL-LX5063YD, YELLOW LED. TRIM LEADS TO 5mm.
2. SSI-LXR4815, CHROME HOUSING.
3. LXP-WA-3816, RUBBER GASKET.
4. SSH-LXH4815BSG, BLACK NYLON BUSHING. (NOT SEEN)
5. ANODE LEAD: LXP-WST24RDT0C, RED INSULATION, CUT 160mm LONG, STRIP 2.0mm & 9.5mm.
6. CATHODE LEAD: LXP-WST24BLT0C, BLACK INSULATION, CUT 160mm LONG, STRIP 2.0mm & 9.5mm.
7. THREAD LEADS THROUGH BUSHING, INSERT INTO HOUSING, BACKFILL WITH SILICON ADHESIVE, INSERT BUSHING INTO HOUSING. CRIMP INTO PLACE.
8. WATER RESISTANT PER NEMA STANDARD 250, SECTION 6.7.

PANEL CUTOUT



\*UNLESS OTHERWISE SPECIFIED TOLERANCES PER DECIMAL PRECISION ARE: X=±1 (±0.039), XX=±0.5 (±0.020), XXX=±0.25 (±0.010), XXXX=±0.127 (±0.005). LEAD SIZE=±0.05 (±0.002), LEAD LENGTH=±0.75 (±0.030). MIN= <sup>+0.00</sup> -0.00 DECIMAL PRECISION MAX= <sup>+0.00</sup> -0.00 DECIMAL PRECISION

PART NUMBER		REV.
SSI-LXR4815YD150WR		B
REV.	E.C.N. NUMBER AND REVISION COMMENTS	DATE
A	E.C.N. #10674.	10.30.00
B	E.C.N. #10BRDR. & REDRAWN IN 3D.	11.20.01

ELECTRO-OPTICAL CHARACTERISTICS $T_A=25^{\circ}\text{C}$ $I_f=20\text{mA}$					
PARAMETER	MIN	TYP	MAX	UNITS	TEST COND
PEAK WAVELENGTH		585		nm	
FORWARD VOLTAGE		2.1	2.5	$V_f$	
REVERSE VOLTAGE	5.0			$V_r$	$I_f=100\mu\text{A}$
AXIAL INTENSITY		20		mcd	$I_f=20\text{mA}$
VIEWING ANGLE		60		2x theta	
EMITTED COLOR:	YELLOW				
EPOXY LENS FINISH:	YELLOW DIFFUSED				

LIMITS OF SAFE OPERATION AT 25°C

PARAMETER	MAX	UNITS
PEAK FORWARD CURRENT*	150	mA
STEADY CURRENT	30	mA
POWER DISSIPATION	105	mW
DERATE FROM 25°C	-1.2	mW/°C
OPERATING, STORAGE TEMP.	-40 TO +85	°C

\*  $t < 10\mu\text{s}$

UNCONTROLLED DOCUMENT

REV.	PART NUMBER
B	SSI-LXR4815YD150WR

**CONFIDENTIAL INFORMATION**  
 THE INFORMATION CONTAINED IN THIS DOCUMENT IS THE PROPERTY OF LUMEX INC. EXCEPT AS SPECIFICALLY AUTHORIZED IN WRITING BY LUMEX INC, THE HOLDER OF THIS DOCUMENT SHALL KEEP ALL INFORMATION CONTAINED HEREIN CONFIDENTIAL AND SHALL PROTECT SAME IN WHOLE OR IN PART FROM DISCLOSURE AND DISSEMINATION TO ALL THIRD PARTIES.



290 E. HELEN ROAD  
 PALATINE, IL 60067-6976  
 PHONE: +1.847.359.2790  
 US WEB: www.lumex.com  
 TW WEB: www.lumex.com.tw

T-5mm 585nm YELLOW LED PANEL INDICATOR LED,  
 YELLOW DIFFUSED LENS, 6" WIRE LEADS, SPLASH RESISTANT.

**RELIABILITY NOTE**  
 OUR MANY YEARS OF EXPERIENCE DATA ACCUMULATION INDICATE THAT SOLDER HEAT IS A MAJOR CAUSE OF EARLY AND FUTURE FAILURE. PLEASE PAY ATTENTION TO YOUR SOLDERING PROCESS.

DRAWN BY:	CHECKED BY:	APPROVED BY:	DATE:
BC			8.7.00
			PAGE: 1 OF 1
			SCALE: N/A