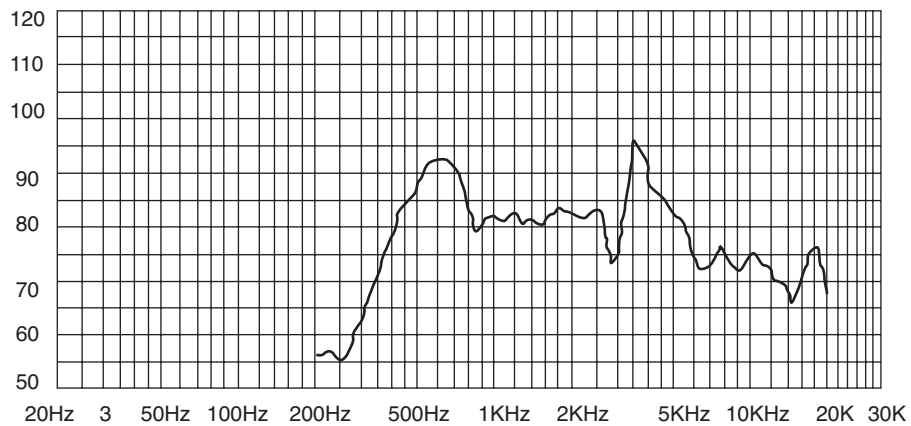
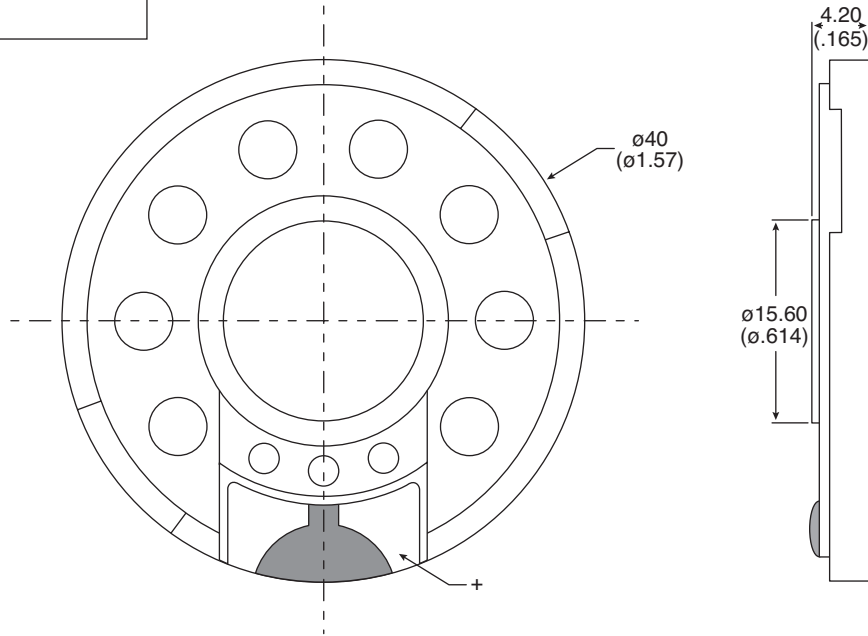


Part Number:

254-PS608-RO



Speaker

KT-400280

Electrical Specifications:

- Nominal Impedance: $8\Omega \pm 15\%$ @ 1200Hz
- Power Rating: Normal 0.2W Maximum 0.5W
- Lowest Resonant Frequency: 600 ± 150 Hz
- Output Sound Pressure Level (S.P.L.):
82 ± 3 dB / 0.2W 0.5 Meter
- Frequency Range: 350 ~ 11,000Hz
- Distortion: 5% at 700Hz 0.2W

Soldering Specifications:

- Wave Solder: Test Temperature of Solder: $245^{\circ}\text{C} \pm 5^{\circ}\text{C}$ Dipping Time in Solder 2~3 Seconds
- Dip the Resistor into a Solder Bath Having a Temperature of $260^{\circ}\text{C} \pm 5^{\circ}\text{C}$ and Hold it for 10 ± 1 Seconds

Material:

- Magnet: NdFeB
- Weight: 6.0g

Note:

- RoHS Compliant