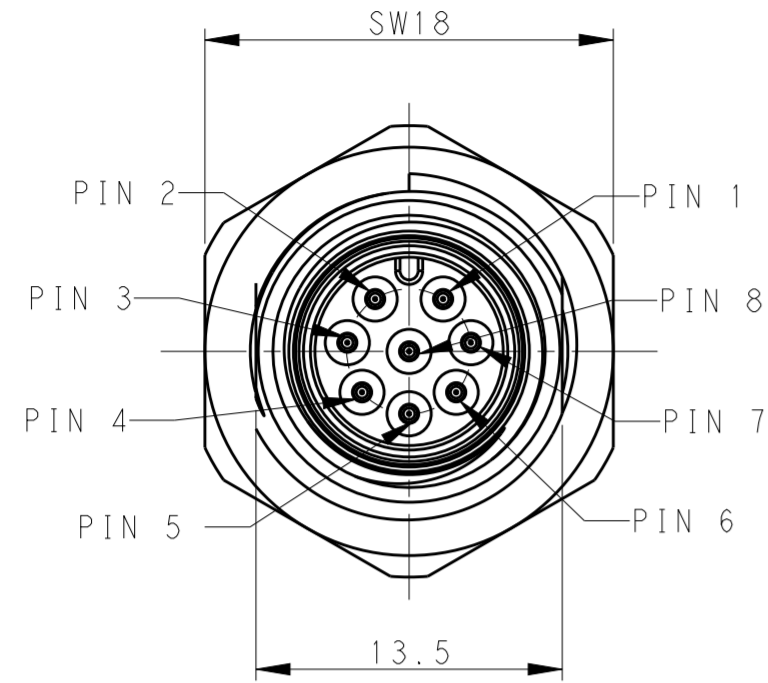
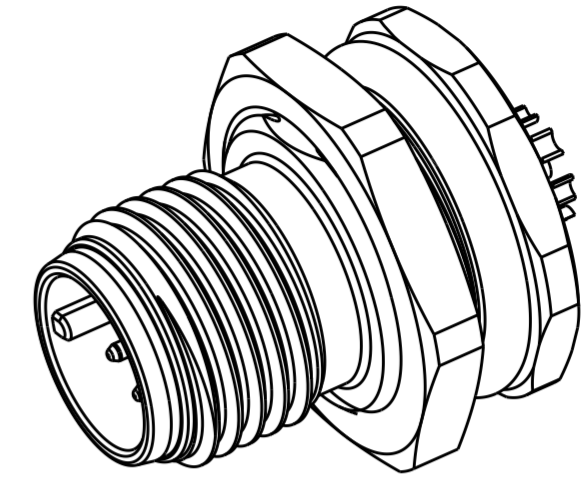
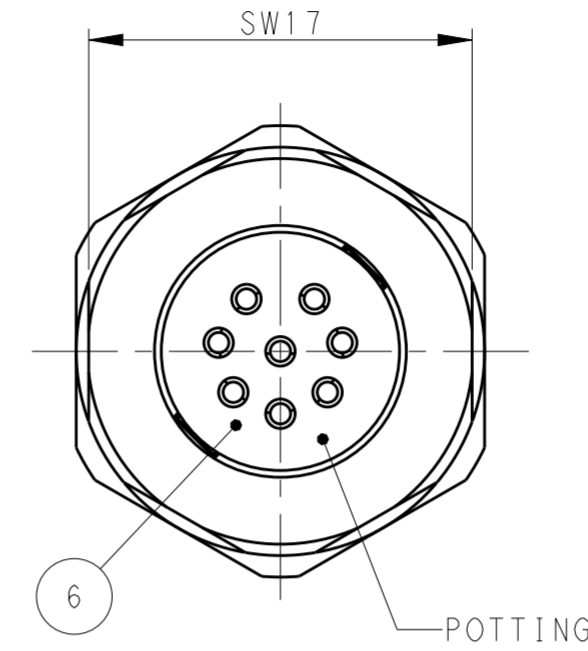
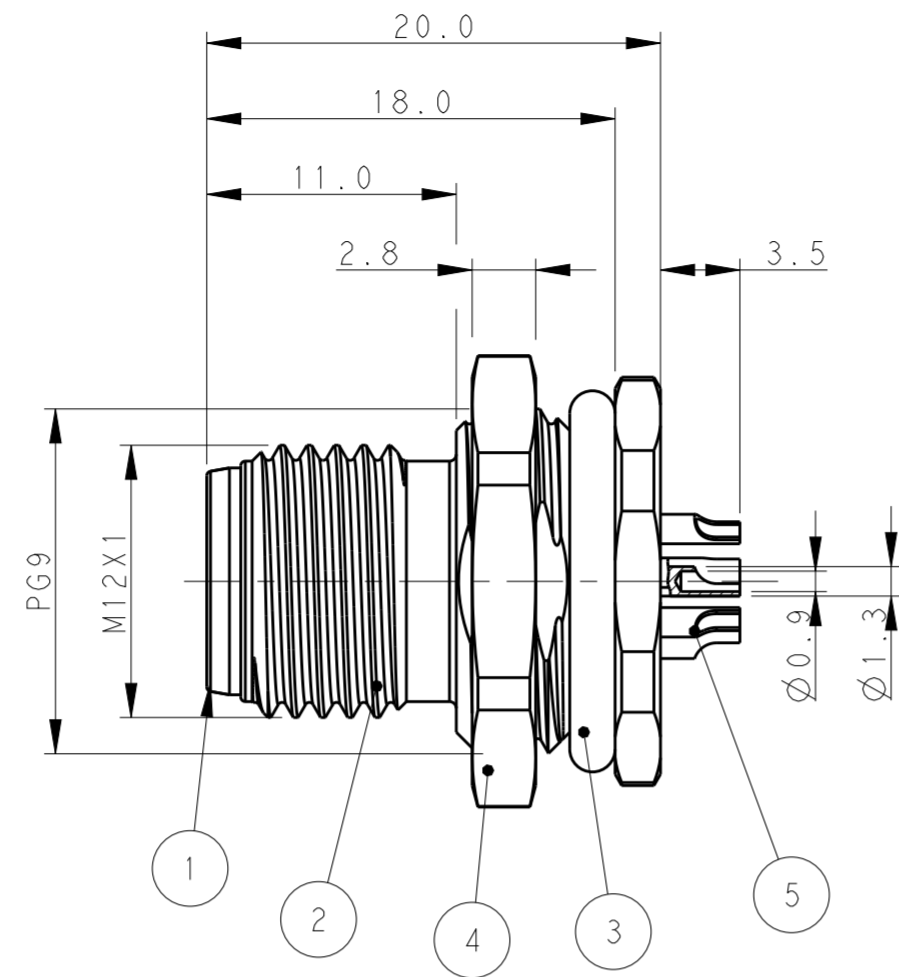


THIS DRAWING IS UNPUBLISHED. RELEASED FOR PUBLICATION
 © COPYRIGHT copyright.d8te- ALL RIGHTS RESERVED.

REVISIONS					
P	LTR	DESCRIPTION	DATE	DWN	APVD
A		INITIAL RELEASE	03JAN2018	G.W	C.W
A1		ECR-18-003481	08MAR2018	G.W	C.W



M12, MALE, 8POLES

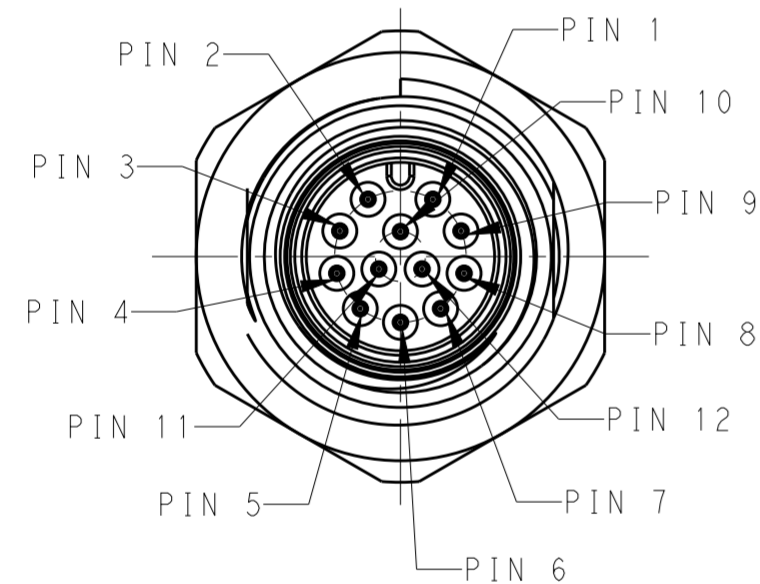


NOTE:

1. TECHNICAL DATA: SEE TABLE 1
2. RECOMMENDED MOUNT PANEL SEE DETAIL
3. PACKAGING: 1 PIECE IN A BAG
4. ALL DIMENSIONS ARE FOR NOMINAL REFERENCE ONLY UNLESS OTHERWISE STATED

注释:

1. 技术参数, 见表 1
2. 推荐开孔尺寸详见如图所示
3. 包装: 1PCS/袋
4. 所有尺寸仅供参考, 除非另有说明



M12, MALE, 12POLES

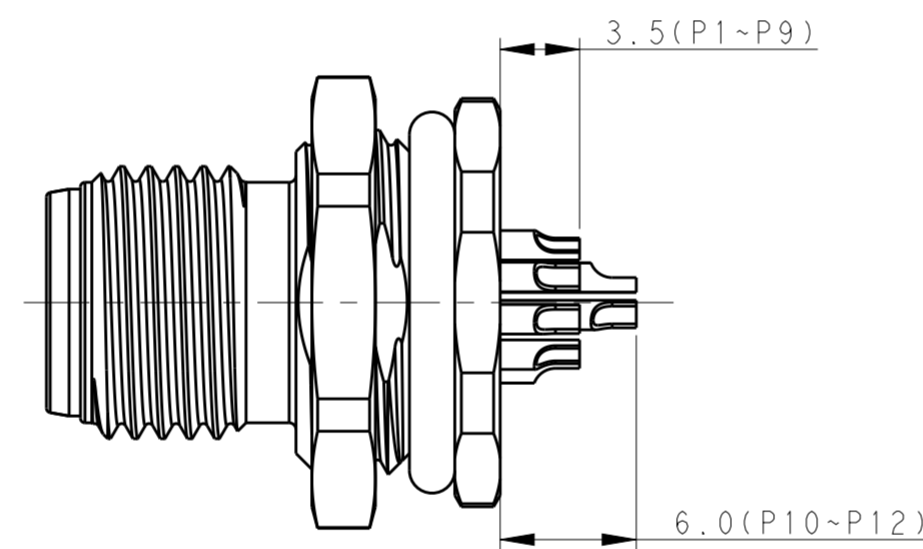
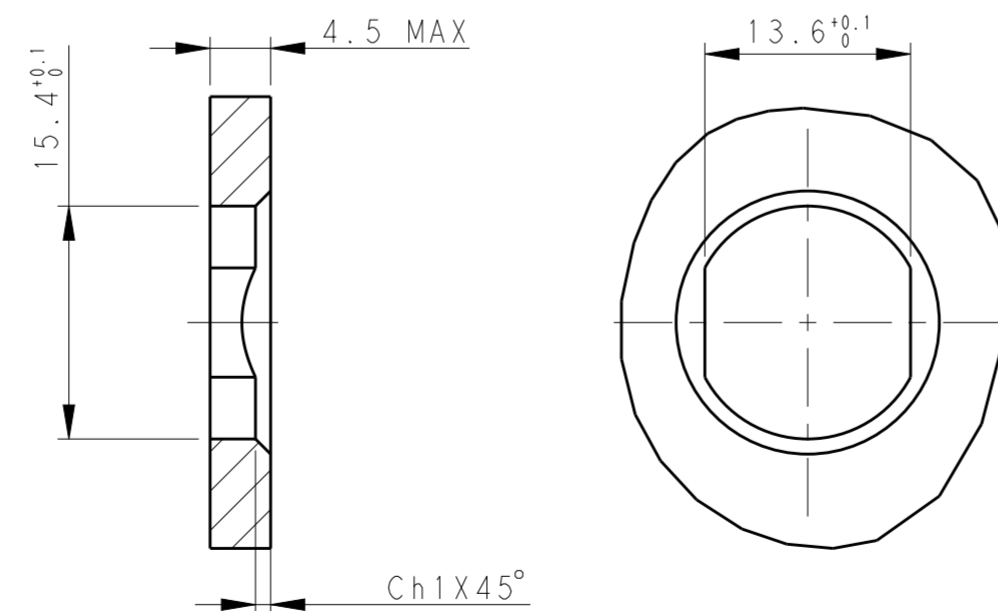


TABLE 1

TECHNICAL DATA	T4130012081-000	T4130012121-000
RATED VOLTAGE	30V	30V
RATED CURRENT	2A	1.5A
POLLUTION DEGREE	3	3
OVERVOLTAGE CATEGORY	II	II
MATERIAL GROUP	II	II
DEGREE OF PROTECTION	IP67	IP67
OPERATION TEMPERATURE	-40~85°C	-40~85°C



RECOMMENDED PANEL CUTOUT

RPC-M12-MF-12CON-PG9-LAU	12	T4130012121-000
RPC-M12-MF-8CON-PG9-LAU	8	T4130012081-000
TYPE	POS.	PART NUMBER

OTHERS	MATERIAL	DESCRIPTION	ITEM
-	EPOXY RESIN	POTTING ADHESIVE	6
GOLD PLATED	COPPER ALLOY	CONTACT	5
NICKEL PLATED	COPPER ALLOY	METAL NUT	4
-	-	O-RING	3
NICKEL PLATED	COPPER ALLOY	M12, MALE, METAL BODY	2
-	PA66	M12, MALE HSG	1

THIS DRAWING IS A CONTROLLED DOCUMENT.		DWN 03JAN2018 Gavin Wang	TE Connectivity
DIMENSIONS: mm		CHK 03JAN2018 Kevin Huang	
TOLERANCES UNLESS OTHERWISE SPECIFIED:		APVD 03JAN2018 Chris Wang	
0 PLC ± 1 PLC ± 2 PLC ± 3 PLC ± 4 PLC ± ANGLES ± FINISH -		PRODUCT SPEC 108-106140 APPLICATION SPEC 114-137144 WEIGHT -	
MATERIAL -			NAME M12 PANEL MOUNT CONNECTOR A CODE, MALE, REAR MOUNT SIZE A2 CAGE CODE - DRAWING NO. C-T4130012081000 RESTRICTED TO SCALE 2:1 SHEET 1 OF 1 REV A1
CUSTOMER DRAWING			