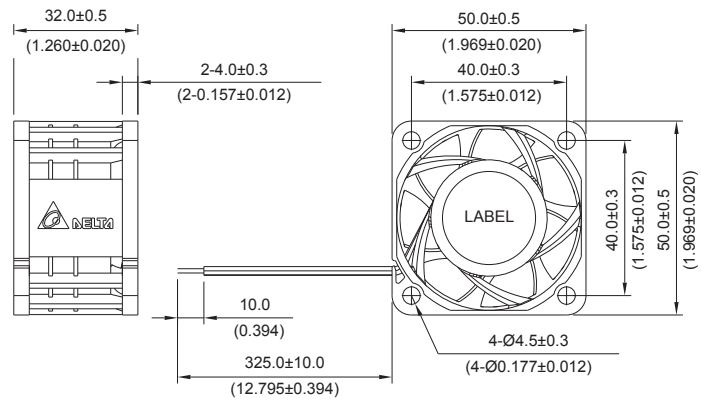


*New*



# PFB 50 x 50 x 32 MM SERIES

## DIMENSIONS DRAWING

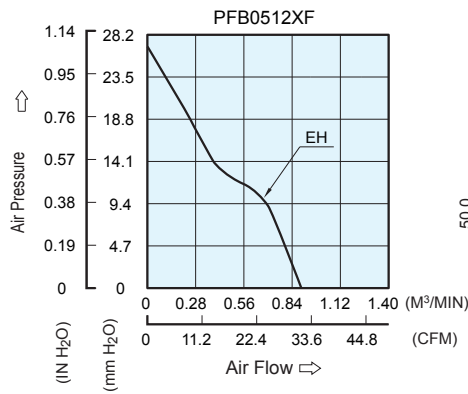


UNIT :  $\frac{\text{mm}}{\text{(INCH)}}$

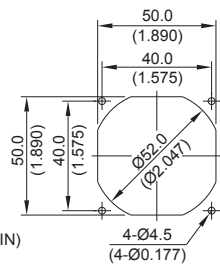
- \* Bearing Type  
Ball Bearings
- \* Material  
Impeller & Frame : Plastic(UL 94V-0)
- \* Lead Wires :  
UL 1061 AWG #26 OR Equivalent  
Red Wire Positive(+)  
Black Wire Negative(-)
- \* Weight : 58g (3.39OZ)

## P & Q CURVE (AT RATED VOLTAGE)

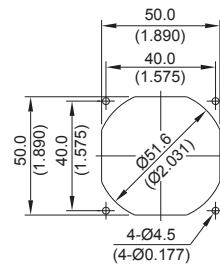
## MOUNTING PANEL CUTOUT



### OUTLET SIDE



### INLET SIDE



UNIT :  $\frac{\text{mm}}{\text{(INCH)}}$

MODEL		Rated Voltage	Operating Voltage Range	Input Current	Input Power	Speed	Maximum Air Flow		Maximum Air Pressure		Noise
PART NO.	FUNCTION	VDC	VDC	Amp	Watt	R.P.M.	m <sup>3</sup> /min	CFM	mmH <sub>2</sub> O	IN H <sub>2</sub> O	dB-A
PFB0512EHF	-R00 / -F00	12	5.0 to 13.2	0.54	6.48	10000	0.894	31.55	26.71	1.051	51.2

- \* Function type is optional.
- \* The max. air flow and the speed are measured in free air ; max. air pressure is measured at zero air flow.
- \* Noise is measured in anechoic chamber in free air, one meter from intake side.
- \* All readings are typical values at rated voltage.
- \* Specifications are subject to change without notice.