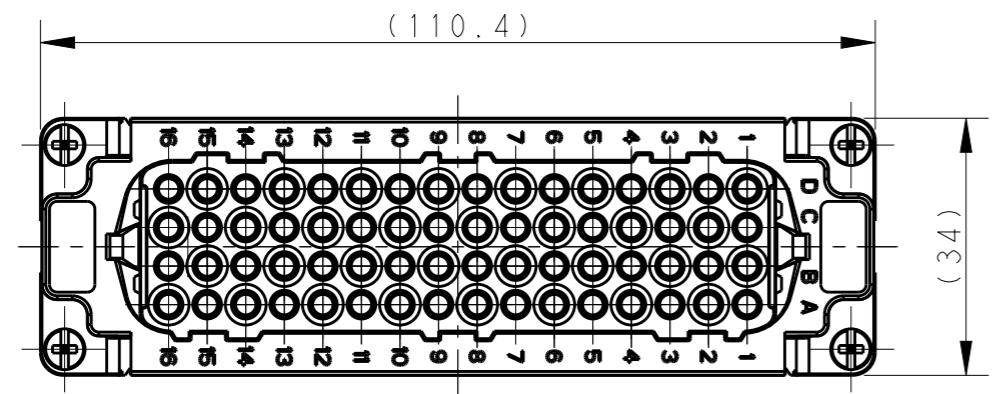


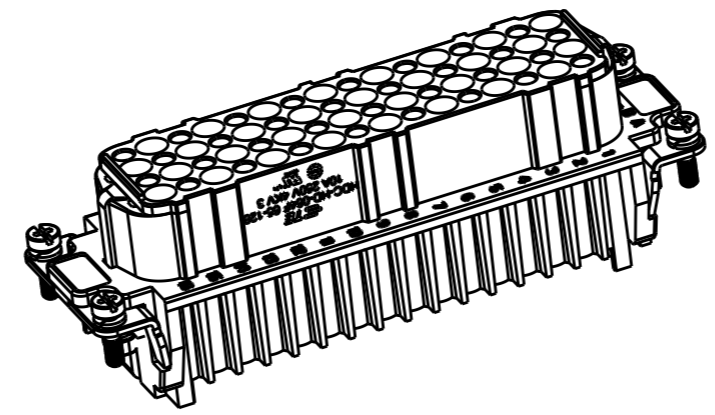
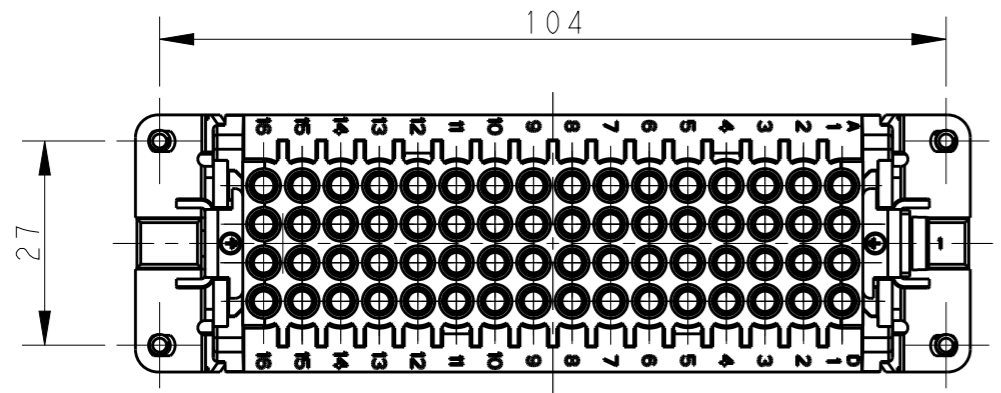
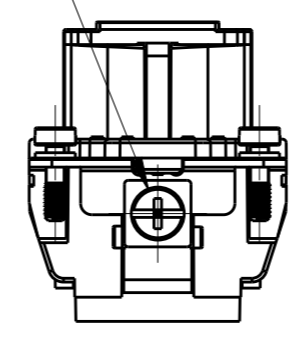
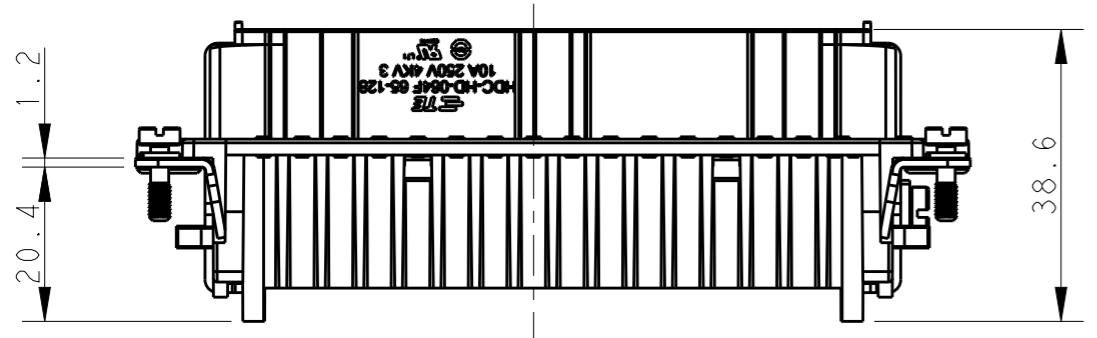
THIS DRAWING IS UNPUBLISHED. RELEASED FOR PUBLICATION 20  
 © COPYRIGHT 20 BY - ALL RIGHTS RESERVED.

REVISIONS					
P	LTR	DESCRIPTION	DATE	DWN	APVD
	A	INITIAL	24AUG2018	BS	CW



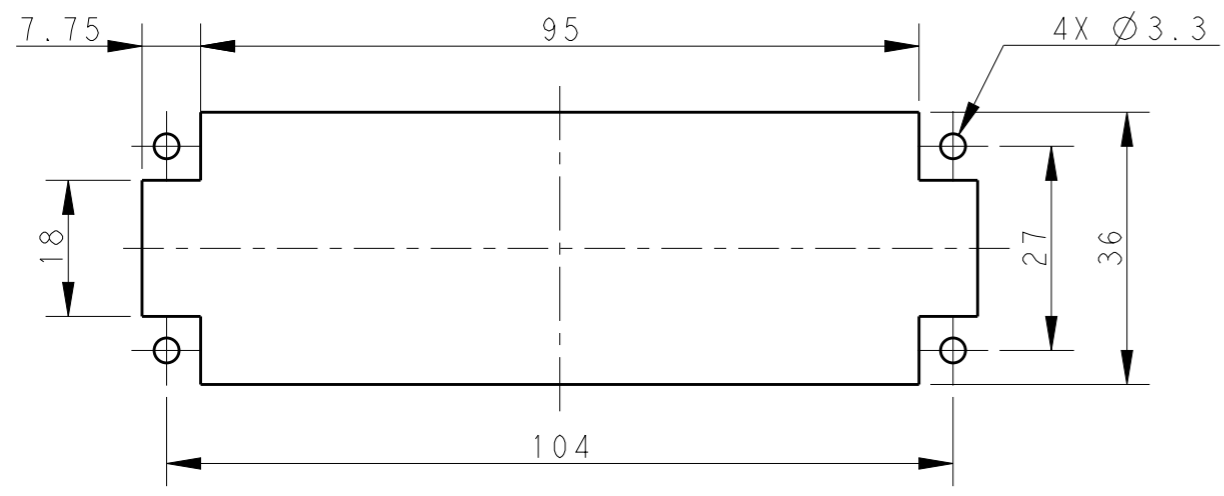
4X M3 SCREW RECOMMENDED  
 TIGHTENING TORQUE 0.5Nm  
 4X M3螺丝, 推荐锁紧力矩0.5Nm

M4 SCREW RECOMMENDED  
 TIGHTENING TORQUE 1.2Nm  
 M4 螺丝, 推荐锁紧力矩1.2Nm



NOTES:  
 1. TECHNICAL CHARACTERISTICS:  
 INSULATION MATERIAL: PC  
 RATED VOLTAGE: 250 V  
 RATED CURRENT: 10 A  
 INSULATION RESISTANCE:  $\geq 400M\Omega$   
 RATED IMPULSE VOLTAGE: 4 KV  
 POLLUTION DEGREE: 3  
 FLAMMABILITY: UL94V-0  
 MATING CYCLES: 500 CYCLES  
 WIRE RANGE: 0.14-2.5 mm<sup>2</sup> (26-14 AWG)  
 CONTACT TYPE: CRIMP CONTACT  
 2. CONTACT NEED TO BE ORDERED SEPARATELY.  
 (ORDER No. REFER TO DRAWING:T20200X20XX000)

注释:  
 1. 技术参数:  
 绝缘材料: PC  
 额定电压: 250V  
 额定电流: 10A  
 绝缘电阻:  $\geq 400M\Omega$   
 额定脉冲电压: 4 KV  
 污染等级: 3  
 阻燃等级: UL94V-0  
 插拔次数: 500次  
 接线范围: 0.14-2.5 mm<sup>2</sup> (26-14 AWG)  
 接线类型: 冷压接  
 2. 端子需要单独订购.  
 (订货号参考图面: T20200X20XX000)



PANEL CUT FOR INSERTS FOR USE WITHOUT HOODS/ HOUSINGS  
 不用防护外壳时芯件的安装开孔图

T2021282201-000	HD-064-F 65-128	HD-064 FEMALE INSERT 65-128 HD-064母插 65-128
PART NUMBER 零件料号	PART DESCRIPTION 零件描述	

THIS DRAWING IS A CONTROLLED DOCUMENT.		DWN BELL SU 24AUG2018	TE Connectivity	
DIMENSIONS: mm		CHK GINO YAO 24AUG2018		
TOLERANCES UNLESS OTHERWISE SPECIFIED:		APVD CHRIS WANG 24AUG2018	NAME HD-064-F 65-128	
0 PLC ±-		PRODUCT SPEC 108-137042	SIZE	
1 PLC ±-		APPLICATION SPEC 114-137042	CAGE CODE	
2 PLC ±-		WEIGHT -	DRAWING NO	
3 PLC ±-		CUSTOMER DRAWING	RESTRICTED TO	
4 PLC ±-			A300779	
ANGLES ±-			C-T2021282201000	
FINISH -			SCALE 1:1	
MATERIAL -			SHEET 1 OF 1	
			REV A	