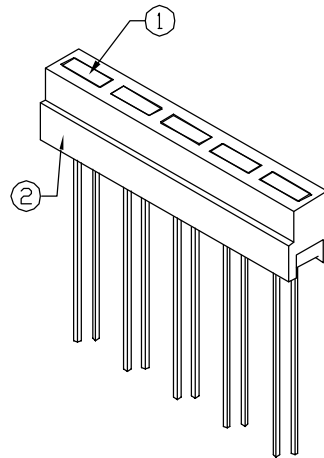
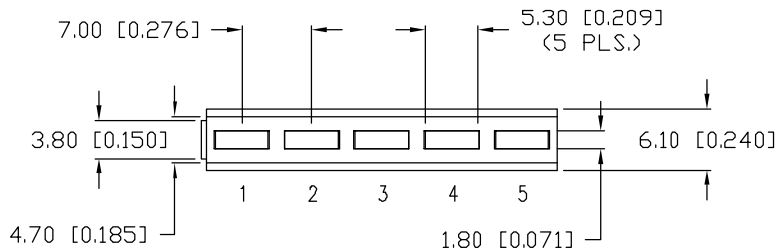


UNCONTROLLED DOCUMENT

PART NUMBER
SSA-LXB525-11G311D

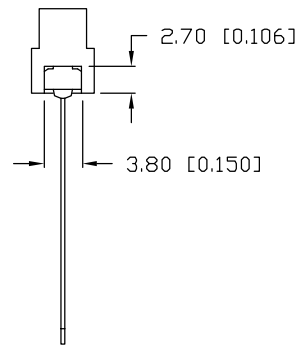
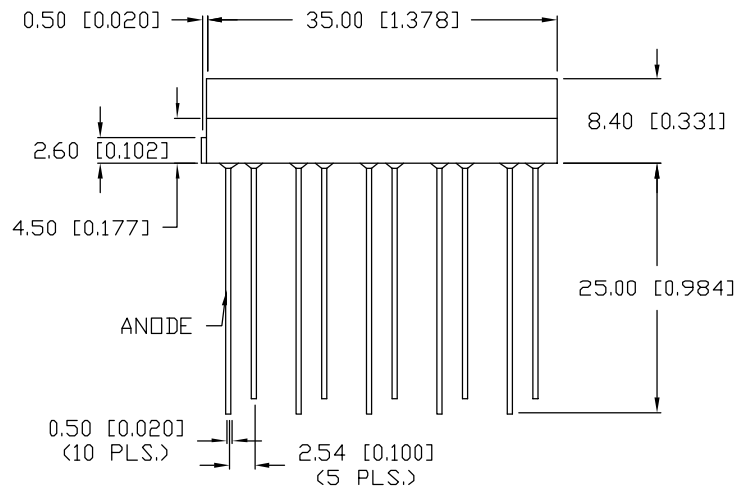
REV.
A

| REV. | E.C.N. NUMBER AND REVISION COMMENTS | DATE |
|------|-------------------------------------|--------|
| A | E.C.N. #10BRDR. & REDRAWN. | 6.4.01 |



ELECTRO-OPTICAL CHARACTERISTICS $T_A=25^{\circ}\text{C}$ $I_f=20\text{mA}$

| PARAMETER | RED | GREEN | UNITS | TEST COND |
|---------------------------------------------------|-------|-------|----------|----------------------|
| PEAK WAVELENGTH | 635 | 565 | nm | |
| FORWARD VOLTAGE (TYP.) | 2.0 | 2.1 | V_f | |
| FORWARD VOLTAGE (MAX.) | 2.5 | 2.5 | V_f | |
| REVERSE VOLTAGE | 5.0 | 5.0 | V_r | $I_r=100\mu\text{A}$ |
| AXIAL INTENSITY | 12 | 10 | mcd | $I_f=20\text{mA}$ |
| VIEWING ANGLE | 110 | 110 | 2x theta | |
| LED POSITION: | 1 & 5 | 2~4 | | |
| EPOXY LENS FINISH: DIFFUSED SAME AS EMITTED COLOR | | | | |



LIMITS OF SAFE OPERATION AT 25°C PER CHIP

| PARAMETER | COLORS | MAX | UNITS |
|----------------------------------|--------|------------|------------------------------|
| PEAK FORWARD CURRENT* | | 150 | mA |
| STEADY CURRENT | (R/G) | 30/25 | mA |
| POWER DISSIPATION | | 105 | mW |
| DERATE FROM 25°C | | -1.2 | $\text{mW}/^{\circ}\text{C}$ |
| OPERATING, STORAGE TEMP. | | -40 TO +85 | $^{\circ}\text{C}$ |
| SOLDERING TEMP. | | +260 | $^{\circ}\text{C}$ |
| 2.0mm FROM BODY | | | 3 SEC. MAX |

* $t < 10\mu\text{s}$

NOTES:

1. SSL-LX2583GD, LED. (3 PCS.)
SSL-LX2583ID, LED. (2 PCS.)
2. SSH-LXH525, HOLDER.
3. BACKFILL BOTTOM OF HOLDER WITH U.V. GLUE TO SECURE LEADS.

*UNLESS OTHERWISE SPECIFIED TOLERANCES PER DECIMAL PRECISION ARE: X=±1 (±0.039), X.X=±0.5 (±0.020), X.XX=±0.25 (±0.010), X.XXX=±0.127 (±0.005). LEAD SIZE=±0.05 (±0.002), LEAD LENGTH=±0.75 (±0.030). MIN= +DECIMAL PRECISION MAX= +0.00 -DECIMAL PRECISION

UNCONTROLLED DOCUMENT

REV.

PART NUMBER

A

SSA-LXB525-11G311D

1.8mm x 5.3mm 5 UNIT LED ARRAY,
POS.1 & 5: RED, POS.2~4: GREEN,
COLOR DIFFUSED LENS.

CONFIDENTIAL INFORMATION

THE INFORMATION CONTAINED IN THIS DOCUMENT IS THE PROPERTY OF LUMEX INC. EXCEPT AS SPECIFICALLY AUTHORIZED IN WRITING BY LUMEX INC., THE HOLDER OF THIS DOCUMENT SHALL KEEP ALL INFORMATION CONTAINED HEREIN CONFIDENTIAL AND SHALL PROTECT SAME IN WHOLE OR IN PART FROM DISCLOSURE AND DISSEMINATION TO ALL THIRD PARTIES.

RELIABILITY NOTE

OUR MANY YEARS OF EXPERIENCE DATA ACCUMULATION INDICATE THAT SOLDER HEAT IS A MAJOR CAUSE OF EARLY AND FUTURE FAILURE. PLEASE PAY ATTENTION TO YOUR SOLDERING PROCESS.



290 E. HELEN ROAD
PALATINE, IL 60067-6976
PHONE: +1.847.359.2790
US WEB: www.lumex.com
TW WEB: www.lumex.com.tw

| | | | |
|-----------------|-------------|--------------|---------------|
| DRAWN BY: CT | CHECKED BY: | APPROVED BY: | DATE: 2.18.92 |
| | | | PAGE: 1 OF 1 |
| | | | SCALE: N/A |