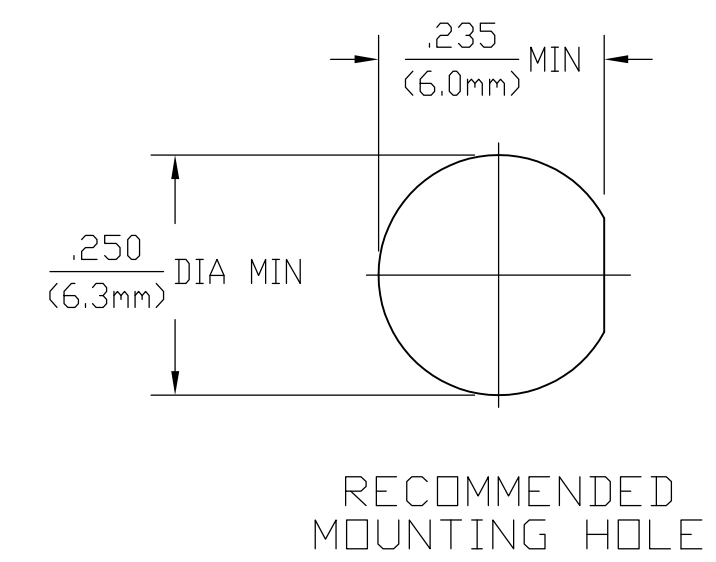
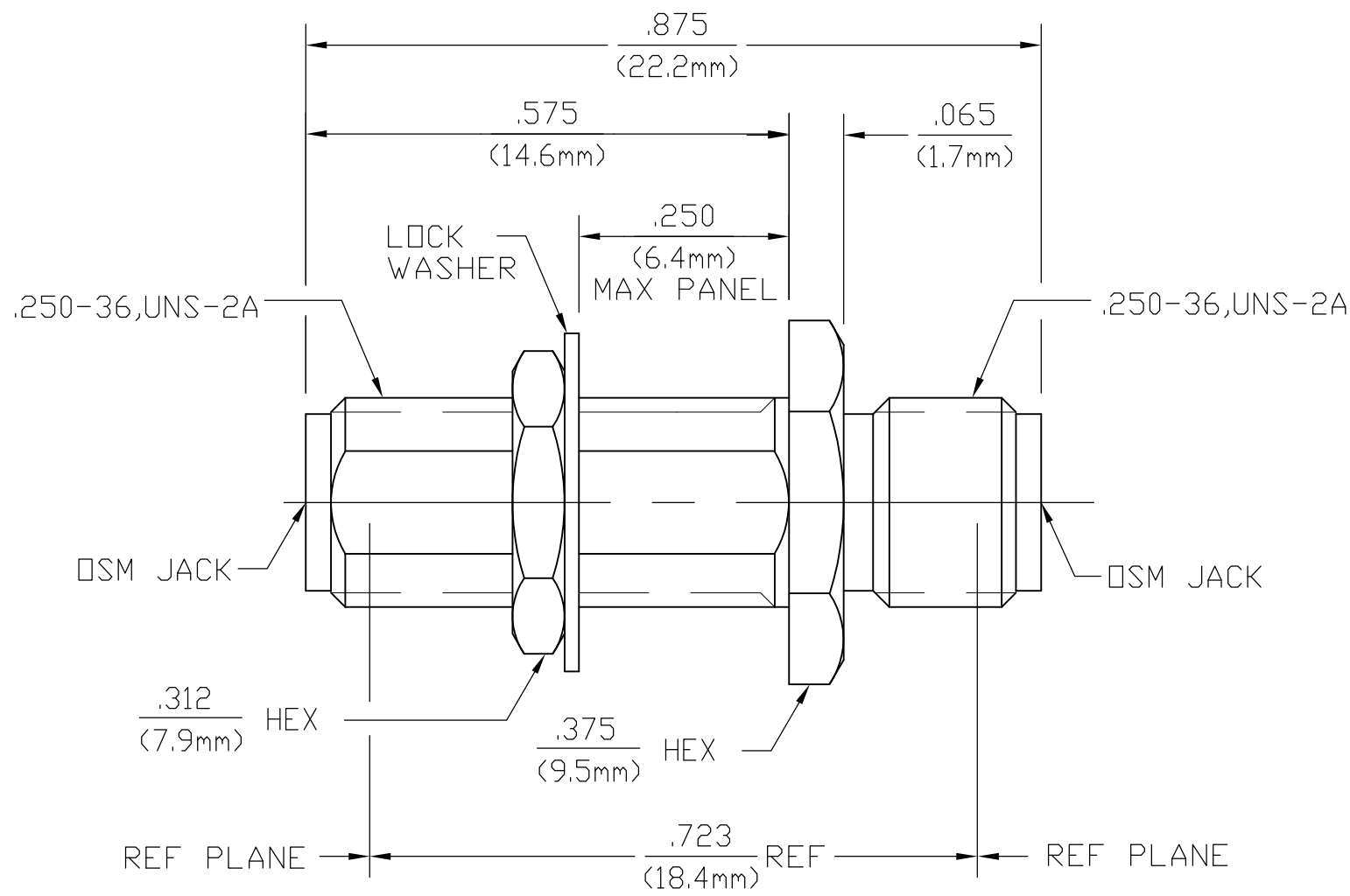


THIS DRAWING IS UNPUBLISHED. RELEASED FOR PUBLICATION
 © COPYRIGHT - By - ALL RIGHTS RESERVED.

LOC	DIST	REVISIONS					
AJ	16	P	LTR	DESCRIPTION	DATE	DWN	APVD
		B1		REVISED PER ECO-11-005030	11MAR11	RK	HMR



ELECTRICAL	MECHANICAL	ENVIRONMENTAL	HOUSING	MATERIAL	FINISH	PACKAGING	PART NUMBER
Nominal Impedance (Ohms) <u>50</u>	Interface Dimensions MIL-STD-348A, Fig. 310.2 BOTH ENDS	TEMPERATURE RATING <u>-65°C TO +125°C</u>	STAINLESS STEEL PER ASTM-A484 AND ASTM-A582, TYPE 303	PASSIVATE PER ASTM-A380	KIT	1054869-3	
Frequency Range (GHz) <u>DC to 18</u>	Recommended Mating Torque <u>N/A</u>	Vibration MIL-STD-202, Method 204, Condition D.	TFE FLUOROCARBON PER ASTM-D-1457	N/A			
Volt Rating (VRMS MAX) @ Sea Level <u>335</u>	Mating Characteristics:	Shock MIL-STD-202, Method 213, Condition I.	BERYLLIUM COPPER PER ASTM B 196, ALLOY C17300, CONDITION H	GOLD PLATE PER MIL-G-45204 OVER COPPER PLATE PER MIL-C-14550	PART NUMBER		
VSWR <u>1.05 +.005</u>	Insertion (MAX Lbs) <u>3.0</u>	Thermal Shock MIL-STD-202, Method 107, Condition C, except HIGH TEMP SHALL BE +115°C.	COMPONENT				
Insertion Loss (dB MAX) <u>.03 √f(GHz)</u>	Withdrawal (MIN Oz) <u>1.0</u>	Moisture Resistance MIL-STD-202, Method 106					
RF Leakage (dB MIN) <u>60 @ 2 to 3 GHz</u>	Force to Engage and Disengage (In-Lbs MAX) <u>2.0</u>	Corrosion - MIL-STD-202, Method 101, Condition B, 5% salt spray					
Corona, 70,000 Ft (VRMS MIN) <u>250</u>	Center Contact Captivation Axial (Lbs) <u>6.0</u>						
Dielectric Withstanding Voltage (VRMS MIN) @ Sea Level <u>1,500</u>	Radial (In-Oz) <u>4.0</u>						
Contact Resistance (Milliohms MAX) Center Contact <u>4.0</u>	Cable Retention Axial Force (Lbs) <u>N/A</u>						
Outer Contact <u>2.0</u>	Torque (In-Oz) <u>N/A</u>						
Cable to Housing <u>N/A</u>	Weight (Grams) <u>3.8</u>						
RF High Potential @ Sea Level (VRMS MIN @ 5 MHz) <u>670</u>							
I.R.(Megohms MIN) <u>5,000</u>							

THIS DRAWING IS A CONTROLLED DOCUMENT.

DWN	E.F.HOYLE	1/25/89
CHK	L.ROSS	2/10/89
APVD	<i>[Signature]</i>	2/22/89

PRODUCT SPEC: _____
 APPLICATION SPEC: _____

WEIGHT: -

CUSTOMER DRAWING

SCALE: 5:1 SHEET: 1 OF 1 REV: B1

STE TE Connectivity

NAME: OSM BULKHEAD FEEDTHROUGH JACK TO JACK ADAPTER

SIZE: A3 CAGE CODE: 00779 DRAWING NO: C-1054869 RESTRICTED TO: -