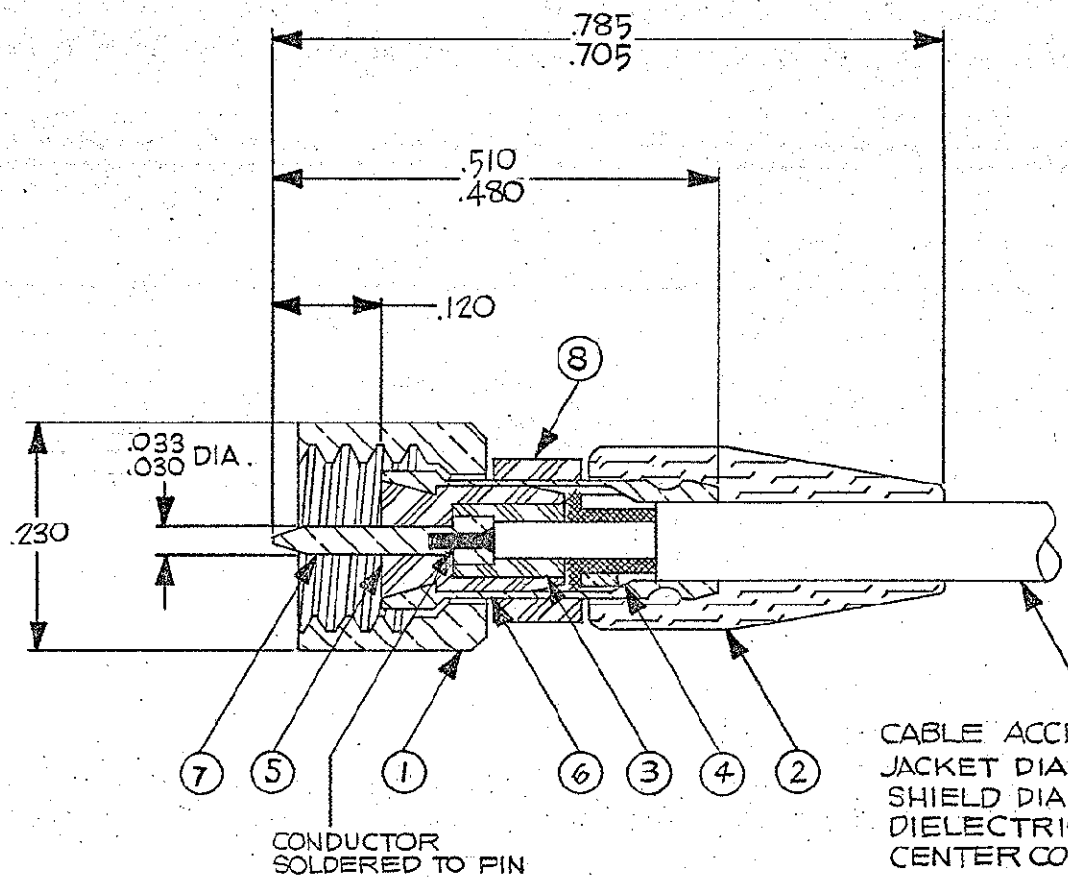


REVISIONS					
ZONE	LTR	ECN	DESCRIPTION	DATE	APPROVED
	P	26527	REVISE & REDRAW ORIGINAL RELEASED BY G.P.F. (7-18-54)	4/22/82	hs
	R	30393	INSULATOR IS: 003-0153-0001 WAS: 003-0150-0001	10/2/86	hs
	S	38207	UPDATE PART TABLE.	10/10/98	es
	T	38512	UPDATE REV. LETTER	1/25/99	es



CABLE ACCEPTANCE DIMS:
 JACKET DIA.093 MAX.
 SHIELD DIA.077 MAX.
 DIELECTRIC DIA.041 MAX.
 CENTER COND. DIA.015 MAX.

NOTES: (UNLESS OTHERWISE SPECIFIED)

1. THIS CONNECTOR MATES WITH ALL S-50 JACKS AND RECEPTACLES AS LISTED IN MALCO CATALOG.
2. FOR ASSEMBLY INSTRUCTIONS SEE RF-ASMB-89.
3. MALCO ASSEMBLY TOOL OIO-0003-0000 REQUIRED.
- △ SILVER PLATE .0002 MIN. PER QQ-S-365, TYPE II, GRADE A.
- △ GOLD PLATE PER QQ-G-45204, TYPE II, GRADE C, CLASS I.
- △ 10-32 UNF -2B THREAD.
- △ MALE DIAMOND KNURL.

FINISH	PT. NO.	DESCRIPTION	MATERIALS	ITEM NO.
		PIN PROTECTOR	TEFLON, ASTM-D-1457	8
△ 5		PIN CONTACT	BRASS, QQ-B-626	7
△ 4		FERRULE	BRASS, QQ-B-626	6
		INSULATOR	TEFLON ASTM-D-1457	4
△ 4		RING	BRASS, QQ-B-626	3
		INSULATOR	TEFLON ASTM-D-1457	2
		BEND RELIEF CAP	SILICONE ZZ-R-765	5
△ 4 △ 6 △ 7		NUT	BRASS, QQ-B-626	1

PARTS LIST

UNLESS OTHERWISE SPECIFIED DIMENSIONS ARE IN INCHES TOLERANCES ARE: FRACTIONS DECIMALS ANGLES ± .XX ± ± ± .XXX ± .010 ±		CONTRACT NO.		MALCO A MICRODOT COMPANY, INC. 220 PASADENA AVE., SO. PASADENA, CALIF. 91030		PROD. CODE 931
MATERIAL -NOTED-		APPROVALS	DATE			
FINISH -NOTED-		DRAWN L. MATEO	4-19-82	PLUG		CODE CDM
NEXT ASSY		CHECKED E. Hsu	4-21-82			
USED ON		PR. ENG. hs	4-22-82	SIZE B	CODE IDENT NO. 98278	DRAWING NO. 032-0033-0001
APPLICATION		DO NOT SCALE DRAWING		SCALE none	SHEET 1 OF 1	