

**RP400 Series**

**3-Phase Wye Single Stage Power Line Filter**

**RP400  
3 PHASE WYE TO 300A**

**ROHS COMPLIANT**



**SPECIFICATIONS**

Operating Freq.	: 50/60Hz
Usable Freq.	: DC - 400Hz
Max. Operating Voltage	: 480V +10%
Ambient Temperature	: -25 to 50C
Climatic Category	: 25/100/21
Hipot Rating (L-G)	: 3500VDC
Terminals (-T)	: S: 15 - 45A (M5) 60 - 100A (M6) 150/200A (M10) 300A (M12)
Safety Approvals	: cURus, EN60939

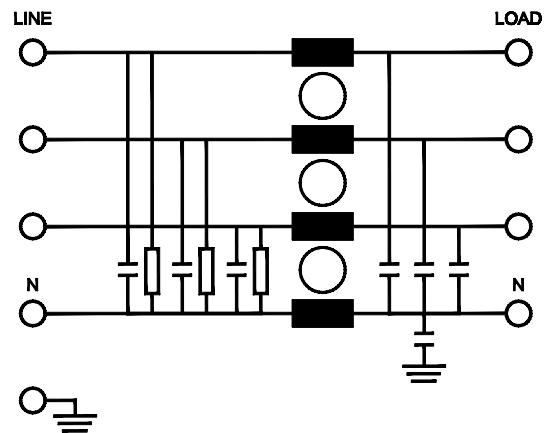
**LEAKAGE CURRENT**

Y-cap, nF	mA, 480V/60Hz
0	0
10	0.1
100	1
1000	10
2000	20

**PART NUMBER/ ORDERING**

RP400	-X (Amps)	-Y (Ycap, nF)	-T	Weight LBS (KG) Typ.
	15	0	S	2.5 (1.1)
	30	10		2.5 (1.1)
	35	100		2.5 (1.1)
	36	1000		2.5 (1.1)
	40	2000		3.2 (1.4)
	45			3.2 (1.4)
	60			5.0 (2.3)
	65			5.0 (2.3)
	100			11.0 (5.0)
	150			11.0 (5.0)
	200			18.0 (8.2)
	300			18.0 (8.2)

**SCHEMATIC**



**Note:** Use any combination of -Y with any -X (Amps) rating  
e.g. RP400-60-100-S (60 Amps with 100nF Ycap)

Reference purposes only.  
Specifications are subject to change.  
Consult factory to verify specifications.

[www.radiuspower.com](http://www.radiuspower.com)

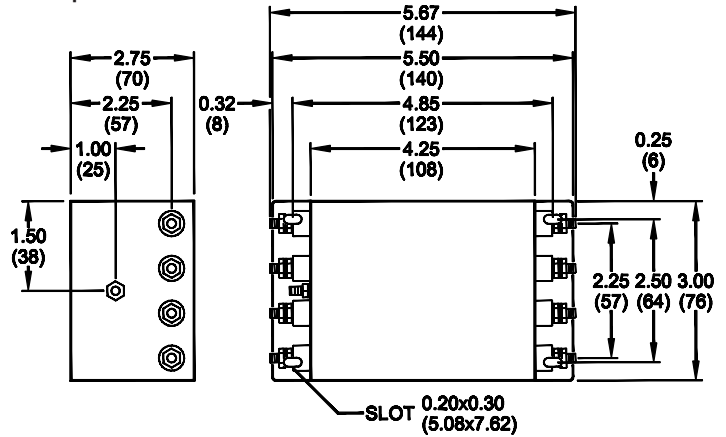
Engineering Assistance: [engg@radiuspower.com](mailto:engg@radiuspower.com)  
Sales: [sales@radiuspower.com](mailto:sales@radiuspower.com)

## RP400

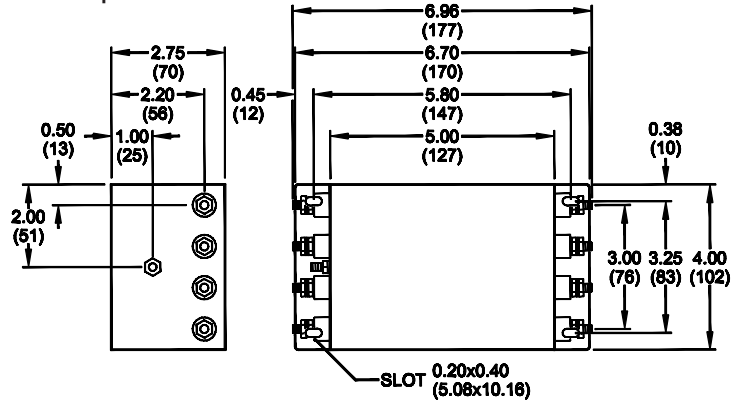
Typical Insertion Loss, dB (50/50ohm)

## Mechanical Dimensions

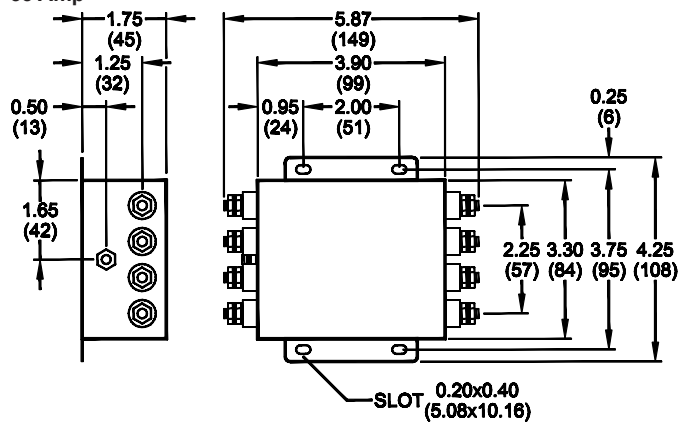
15 Amp



30/36 Amp



35 Amp



TYPICAL TOLERANCE: +/-0.02 (0.50)

15/30 Amp					
FREQ (MHz)	.15	.5	1	10	30
CM (dB)	60	70	70	55	50
DM (dB)	48	70	75	75	65

35 Amp					
FREQ (MHz)	.15	.5	1	10	30
CM (dB)	55	62	65	50	45
DM (dB)	36	55	60	60	50

36 Amp					
FREQ (MHz)	.15	.5	1	10	30
CM (dB)	58	68	70	55	50
DM (dB)	46	65	70	70	65

Reference purposes only.  
Specifications are subject to change.  
Consult factory to verify specifications.

## RP400

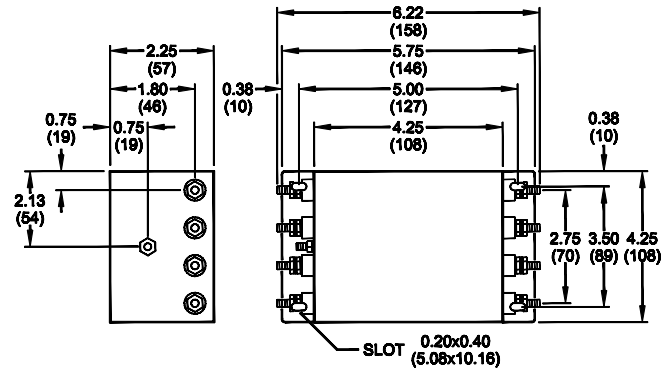
Typical Insertion Loss, dB (50/50ohm)

## Mechanical Dimensions

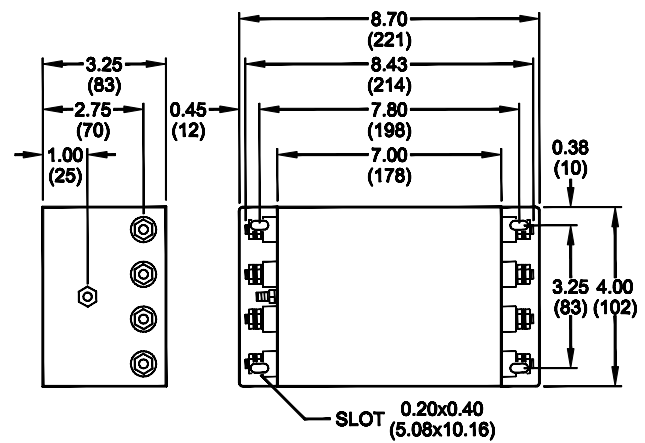
40/45 Amp					
FREQ (MHz)	.15	.5	1	10	30
CM (dB)	58	68	70	55	50
DM (dB)	46	65	70	70	65

60 Amp					
FREQ (MHz)	.15	.5	1	10	30
CM (dB)	57	65	70	55	50
DM (dB)	45	64	70	70	65

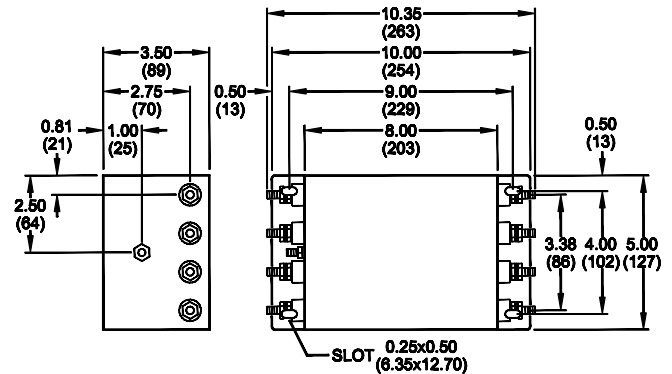
40 Amp



45 Amp



60 Amp



TYPICAL TOLERANCE: +/-0.02 (0.50)

Reference purposes only.  
 Specifications are subject to change.  
 Consult factory to verify specifications.

[www.radiuspower.com](http://www.radiuspower.com)

## RP400

### Typical Insertion Loss, dB (50/50ohm)

### Mechanical Dimensions

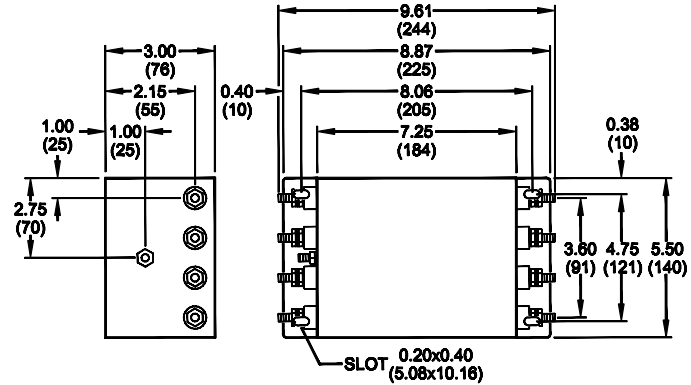
65 Amp					
FREQ (MHz)	.15	.5	1	10	30
CM (dB)	57	65	70	55	50
DM (dB)	45	64	70	70	65

100 Amp					
FREQ (MHz)	.15	.5	1	10	30
CM (dB)	65	70	70	60	50
DM (dB)	60	75	75	60	55

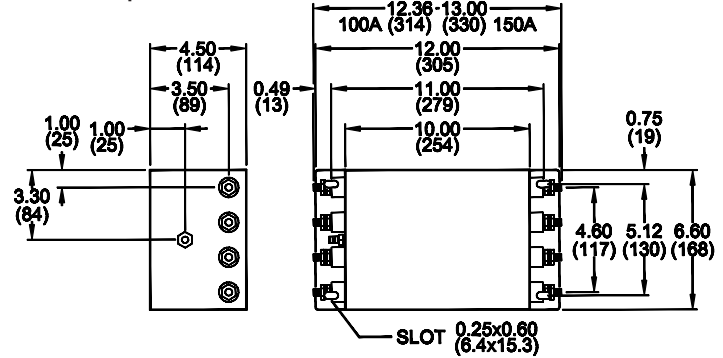
150 Amp					
FREQ (MHz)	.15	.5	1	10	30
CM (dB)	55	65	60	48	40
DM (dB)	50	75	70	45	45

200/300 Amp					
FREQ (MHz)	.15	.5	1	10	30
CM (dB)	50	50	50	45	40
DM (dB)	50	45	45	40	30

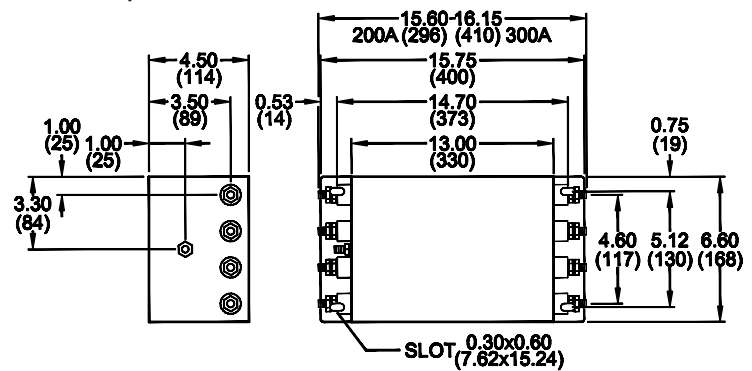
65 Amp



100/150 Amp



200/300 Amp



TYPICAL TOLERANCE: +/-0.02 (0.50)

Reference purposes only.  
Specifications are subject to change.  
Consult factory to verify specifications.