

5

4

3

2

1

D

C

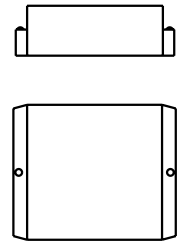
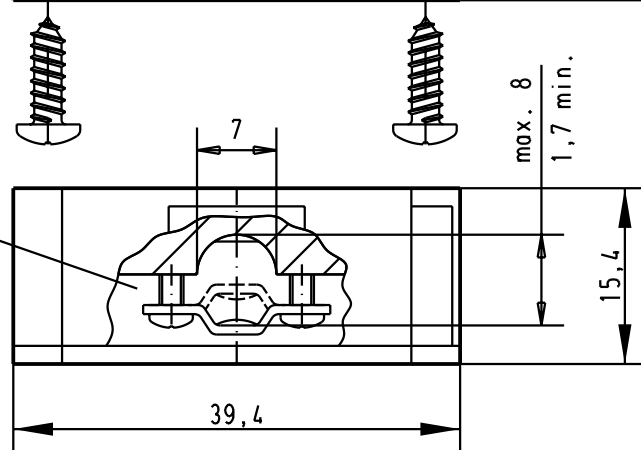
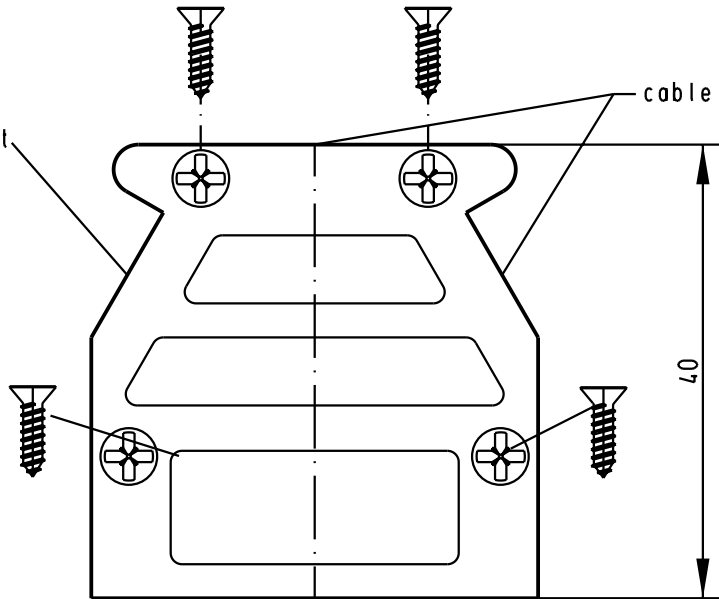
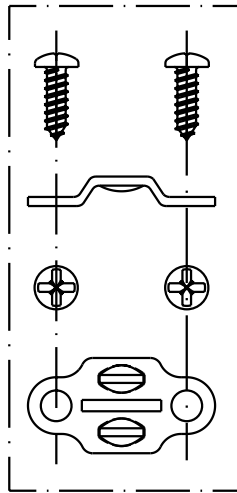
B

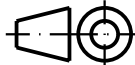

A

optional cable output

cable output

Cover in place of cable output



					Det.	Name	 All Dim. in mm Orig. Size DIN A 4	D-Sub, Hood 15 poles Top and side cable entry	Maßstab/ Scale 1.5:1	
					Detail.	28-MAR-02				CV
					Insp.					
					Stand.					
09 67 015 0453	Thermoplastic metallized				HARTING EURL F-95972 Paris				TB 0967015045x	Blatt/ Page 1/
09 67 015 0452	Thermoplastic black	29760	28-MAR-02	CV						
Part number	Material	Mod.	Dat.	Name				Sub.		