

5

4

3

2

1

D

C

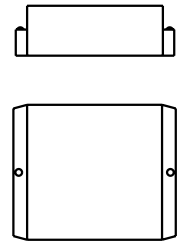
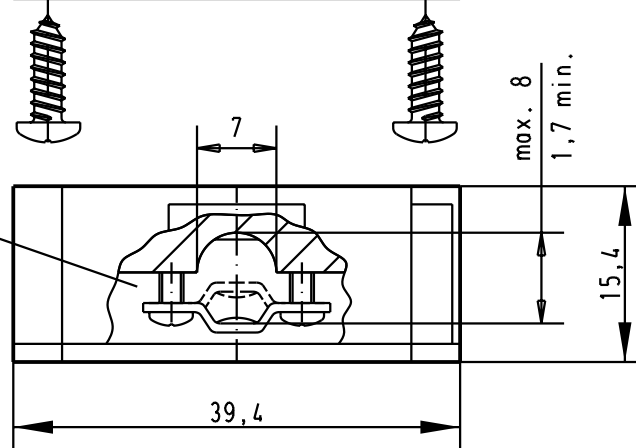
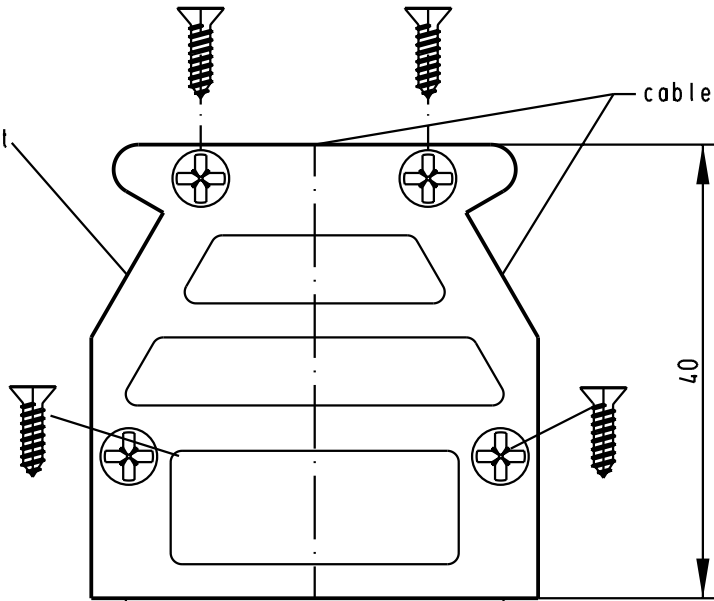
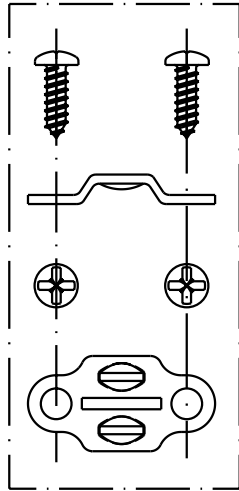
B

A

optional cable output

cable output

Cover in place of cable output



39,4

40

max. 8
1,7 min.

7

15,4

Dat. Name

Detail. 28-MAR-02 CV

Insp.

Stand.



All Dim. in mm
Orig. Size DIN A 4

D-Sub, Hood 15 poles
Top and side cable entry

Maßstab/
Scale

1.5:1

09 67 015 0453

Thermoplastic metallized

09 67 015 0452

Thermoplastic black

29760

28-MAR-02

CV

HARTING EURL
F-95972 Paris



TB 0967015045x

Blatt/ Page

1

Part number

Material

Mod.

Dat.

Name

Sub.