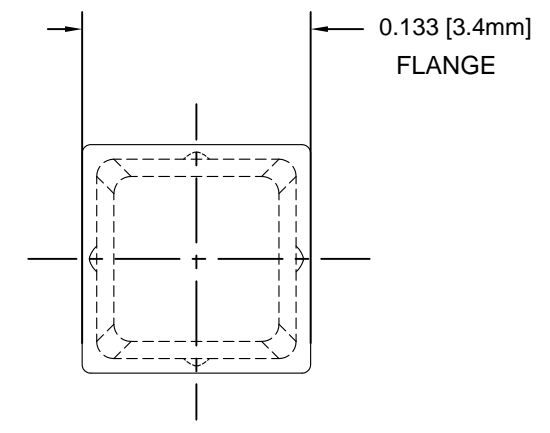
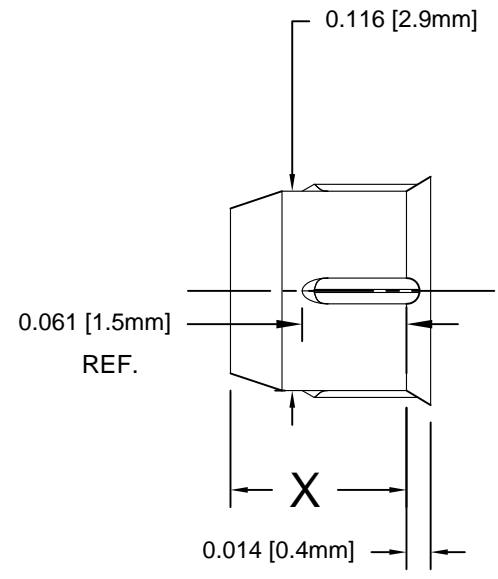
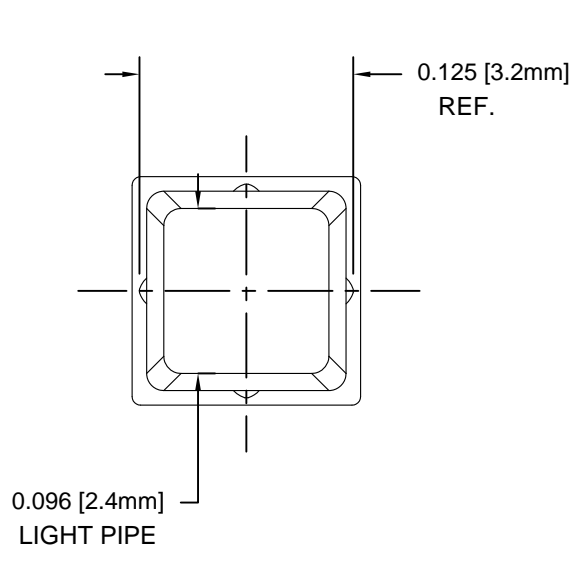


REV.	DESCRIPTION	DATE	APPROVED
A	Engineering Release	07/31/15	J. C.
B	Added Color Options, Sheet #2	01/25/16	J. C.



Part No.	X = Body Length
PLPQ3-100-FF	0.100 (2.5mm)
PLPQ3-125-FF	0.125 (3.2mm)
PLPQ3-188-FF	0.188 (4.8mm)
PLPQ3-250-FF	0.250 (6.4mm)
PLPQ3-313-FF	0.313 (7.9mm)
PLPQ3-375-FF	0.375 (9.5mm)
PLPQ3-500-FF	0.500 (12.7mm)
PLPQ3-3MM-FF	3mm (0.118")
PLPQ3-4MM-FF	4mm (0.157")
PLPQ3-5MM-FF	5mm (0.197")
PLPQ3-6MM-FF	6mm (0.236")
PLPQ3-7MM-FF	7mm (0.276")
PLPQ3-8MM-FF	8mm (0.315")
PLPQ3-9MM-FF	9mm (0.354")
PLPQ3-10MM-FF	10mm (0.394")



- 2. MATERIAL: POLYCARBONATE, 94V-0, CLEAR
- 1. GENERAL SPECIFICATIONS: BIVAR MOLDED COMPONENT SPECIFICATION BV00-E101 and BSMC-1001.

STANDARD TOLERANCE (UNLESS OTHERWISE SPECIFIED)		 4 THOMAS, IRVINE, CA. 92618 TEL: (949) 951-8808 FAX: (949) 951-3974	
DECIMALS	ANGULAR		
.X ± .1	X° ± 1°	TITLE: SQUARE LIGHT PIPE, FLUSH MOUNT, 3mm	
.XX ± .01			
.XXX ± .005		PART NO: PLPQ3-XXX-FF	
DESIGNED: Brian Oliver	DATE: 04/24/15	REVISION: B	
CHECKED: Alex Wright	DATE: 04/24/15		
		CAGE CODE : 32559 SHEET # 1 OF 2	
CAD GENERATED DOCUMENT. DO NOT MEASURE DRAWING.			

OTHER AVAILABLE COLORS

* SEE TABLE FOR ORDERING INFORMATION


REV.	DESCRIPTION	DATE	APPROVED
	SEE SHEET #1		



COLOR	Order Code
BLUE	BE
BLACK	BK
GREEN	GN
GRAY	GY
RED	RD
YELLOW	YW

NOTE: LEAVE ORDER CODE BLANK IF NO COLOR IS DESIRED.

3. PARTS ARE DYED TO COLOR UPON REQUEST.

STANDARD TOLERANCE (UNLESS OTHERWISE SPECIFIED) DECIMALS ANGULAR		 4 THOMAS, IRVINE, CA. 92618 TEL: (949) 951-8808 FAX: (949) 951-3974	
			
DESIGNED: K. Aukshunas	DATE: 01/25/16	TITLE: SQUARE LIGHT PIPE, FLUSH MOUNT, 3mm	
CHECKED: J. Chiang	DATE: 01/25/16	PART NO: PLPQ3-XXX-FF	REVISION: B
		CAGE CODE : 32559	SHEET # 2 OF 2
CAD GENERATED DOCUMENT. DO NOT MEASURE DRAWING.			