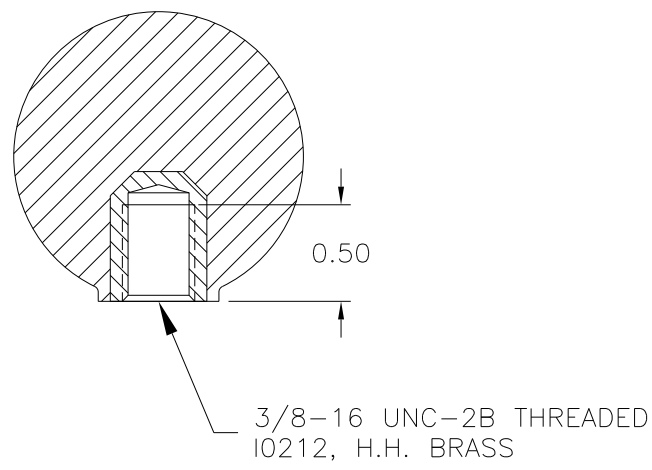
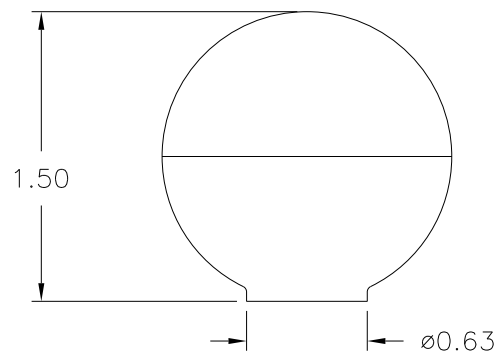
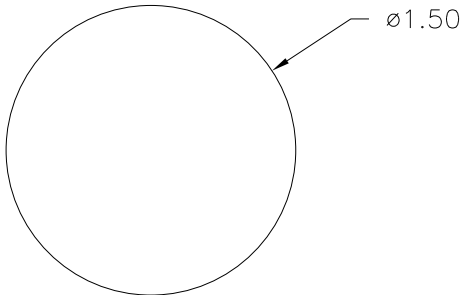


PART NAME: BALL KNOB SCALE: 1:1 DATE: 4/28/64 DR. BY LSP

THIS DRAWING IS THE PROPERTY OF DAVIES MOLDING COMPANY, IS SUBMITTED SOLELY AS A DESIGN OR ENGINEERING PROJECT. WE ACCEPT NO RESPONSIBILITY WHATSOEVER FOR THE PRACTICAL APPLICATION OF THE PIECES MADE TO THIS DESIGN.

DAVIES MOLDING DESIGNERS & MANUFACTURERS OF KNOBS, HANDLES, CASES & CUSTOM PLASTIC COMPONENTS

| | |
|------------------|--------|
| P/N | 0035-X |
| M ^{NO.} | 0035 |
| ① PINS | 0050-L |
| SHIM | #3 |
| INSERT | I0212 |
| | |
| | |
| | |



MATERIAL: G.P. PHENOLIC (B11)
COLOR: BLACK

| | | | | | |
|---|----------------------------------|---|---------------|----|----------|
| TOLERANCES: UNLESS OTHERWISE SPECIFIED | DO NOT SCALE DRAWING | - | RE-DID REDRAW | TL | 10/28/99 |
| DECIMALS: X.XXX ± .005 X.XX ± .015 | MM: X.XX ± 0.15MM X.X ± 0.4MM | A | CORRECTED PIN | FS | 1/13/97 |
| FRACTIONS ± 1/64 | ANG. ± 1° | - | CAD REDRAW | HD | 8/5/92 |
| CHANGES | | | | | |