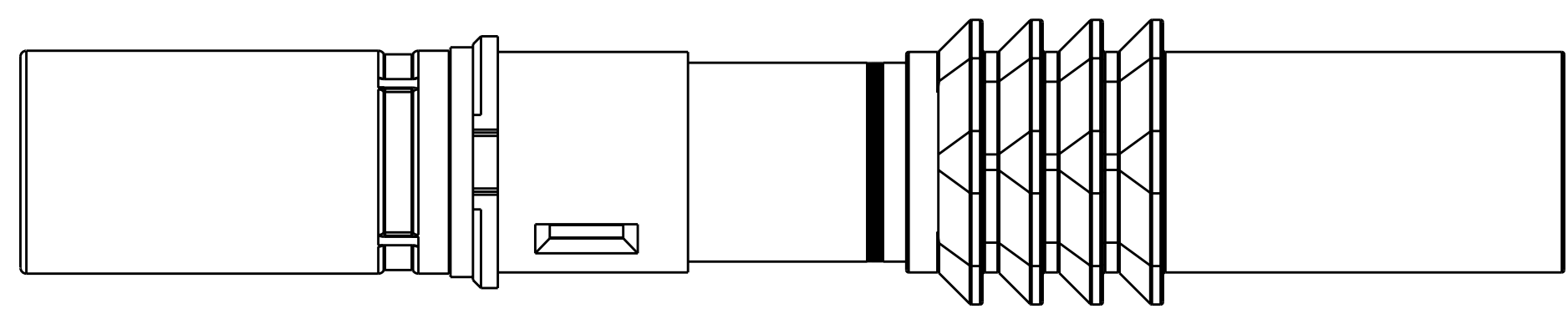
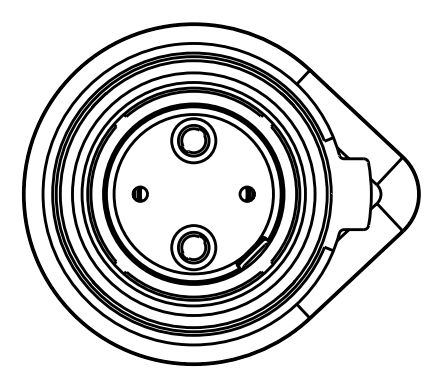
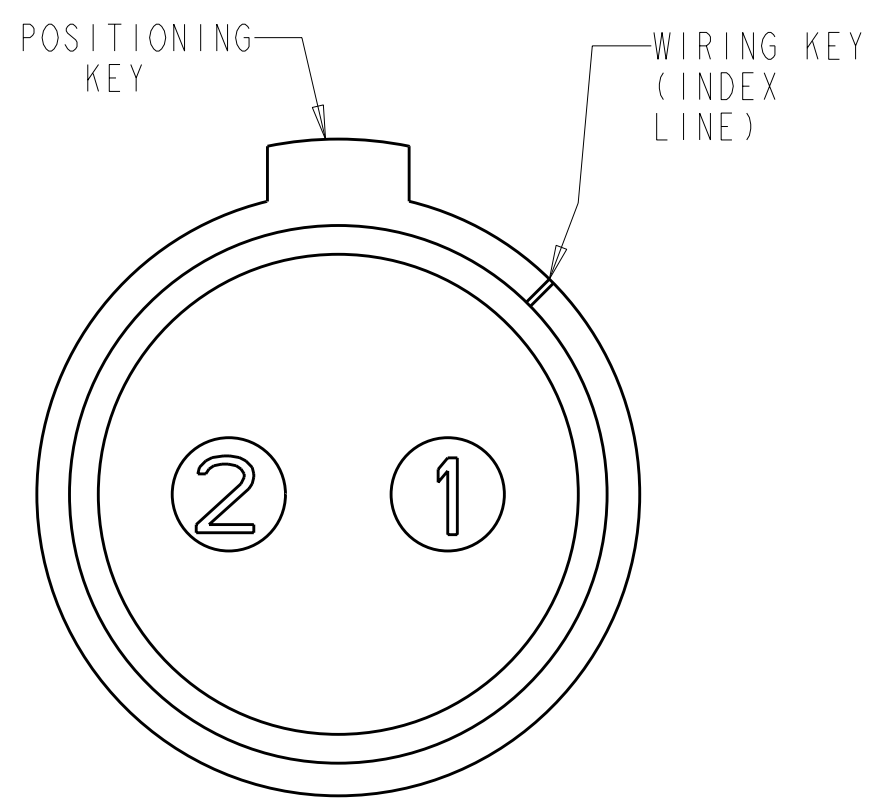
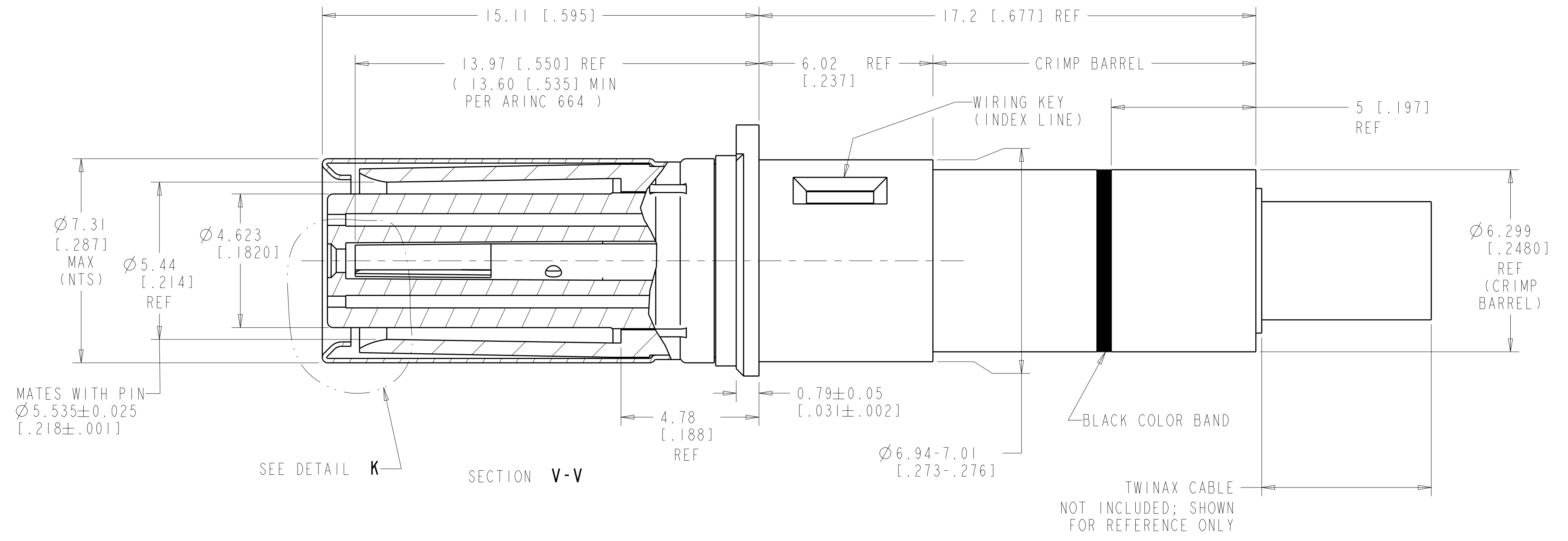
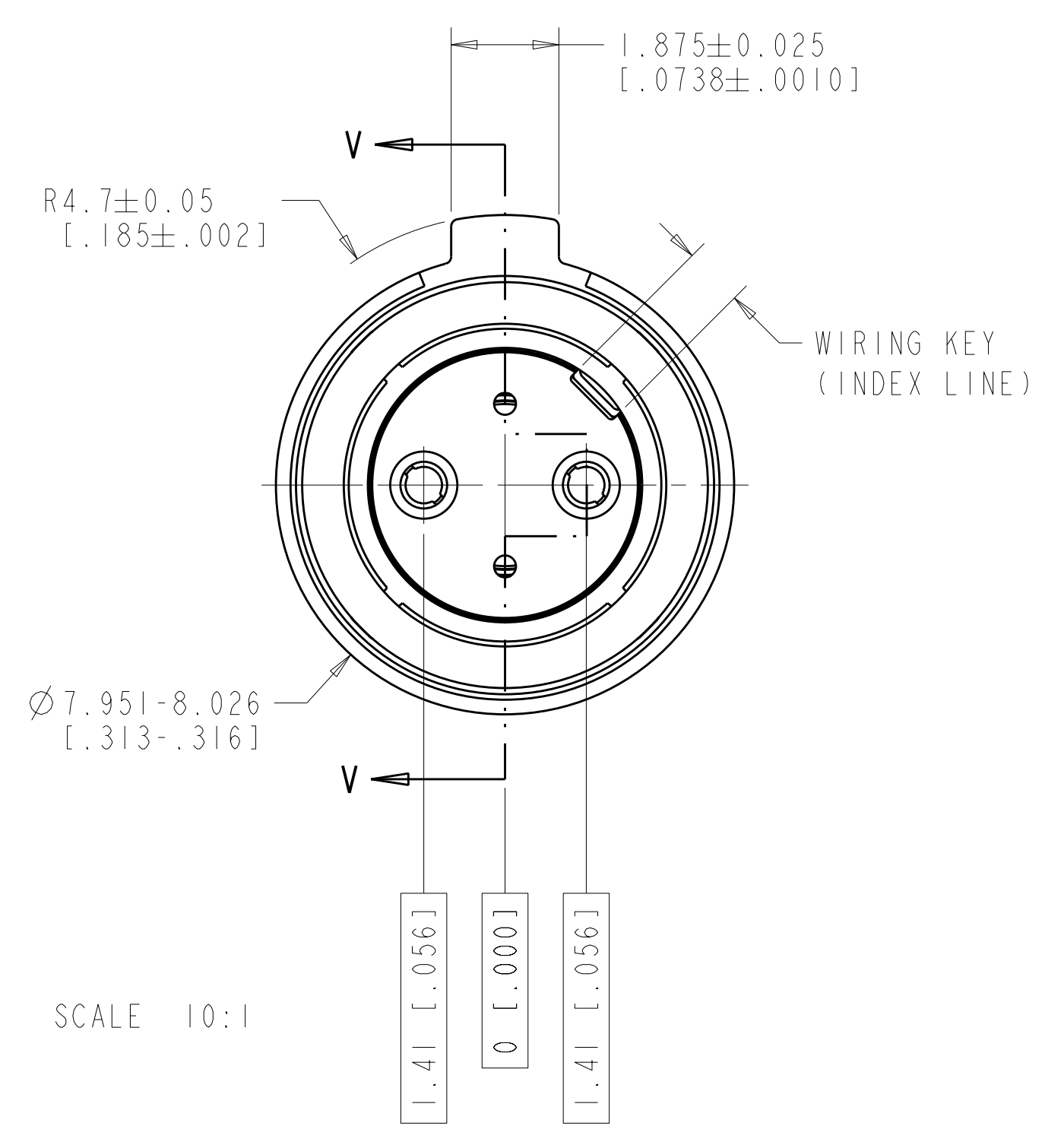


LOC	DIST	REV	DATE	BY	APPD
-	-	1			
		2	10MAY05	BH	RW
		3	19JUN06	JRE	JRE
		4	17MAY2007	DF	RW
		5	14AUG2007	DF	RW

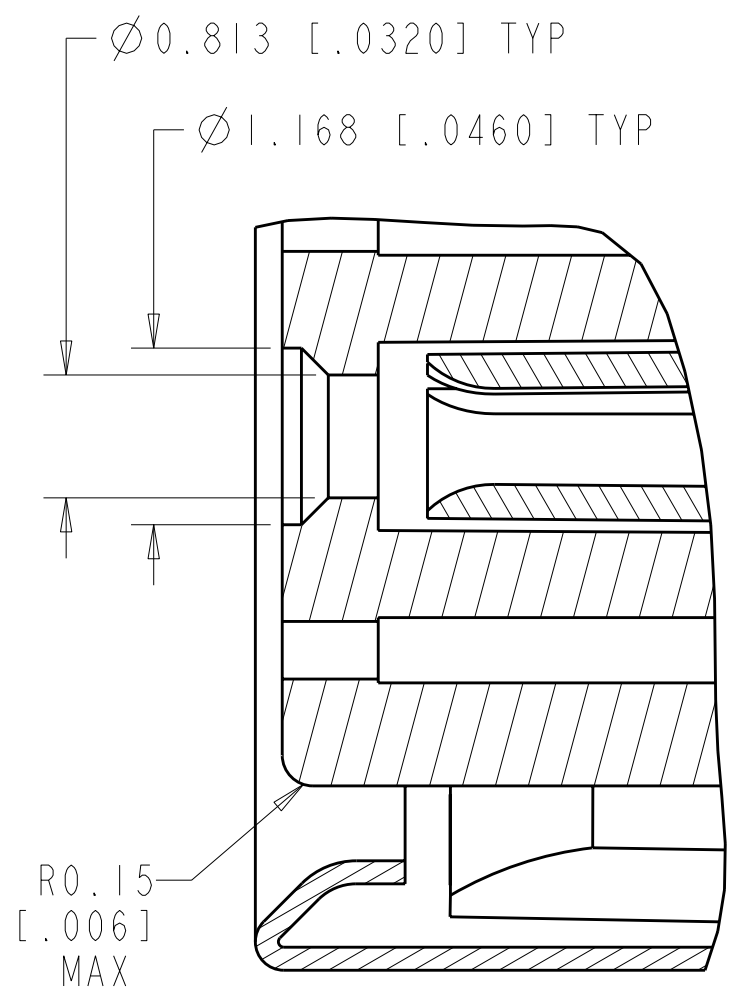


1811866-2/-4 TWINAX (FIG. 2)
SOCKET ASSY WITH WIRE SEAL
SCALE 5:1

**CONTACT CAVITY NUMBERING
STANDARD CAVITY NUMBER ASSIGNMENT**



**THIS PRODUCT
HAS NOT
COMPLETED
VALIDATION
TESTING**



DETAIL K
SCALE 20:1

- COMPONENTS ARE PACKAGED IN KIT FORM. CABLE MUST BE PURCHASED SEPARATELY.
- USE INSERTION-EXTRACTION TOOL 1738196-1.

P/N:	DESCRIPTION	PART NO.
P/N: 1726A1424; (120 ohms, 26 AWG)	AS SHOWN (FIG.2); WITH WIRE SEAL	1811866-4
P/N: 1726A1424; (120 ohms, 26 AWG)	AS SHOWN; WITHOUT WIRE SEAL	1811866-3
P/N: 0024T1426; (100 ohms, 24 AWG)	AS SHOWN (FIG.2); WITH WIRE SEAL	1811866-2
P/N: 0024T1426; (100 ohms, 24 AWG)	AS SHOWN; WITHOUT WIRE SEAL	1811866-1
RECOMMENDED RAYCHEM CABLE		

DIMENSIONS:	TOLERANCES UNLESS OTHERWISE SPECIFIED:	DATE	BY	APPD	NAME
mm [INCH]	0 PLC ± 1 PLC ±0.2 (.008) 2 PLC ±0.13 (.005) 3 PLC ±0.051 (.002) 4 PLC ± ANGLES ±	15MAR2005	Brent D. Tohn		Tyco Electronics Harrisburg, PA 17105-3608
MATERIAL	FINISH	PRODUCT SPEC	APPLICATION SPEC	WEIGHT	ASSY, SOCKET, TWINAX RR-RR, .218 HEX CRIMP
		SIZE	CAGE CODE	DRAWING NO	RESTRICTED TO
		A1	00779	1811866	
CUSTOMER DRAWING		SCALE	SHEET	OF	REV
		5:1	1	1	5