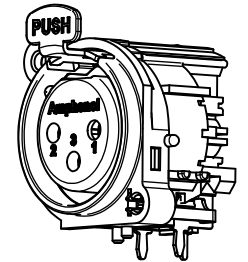
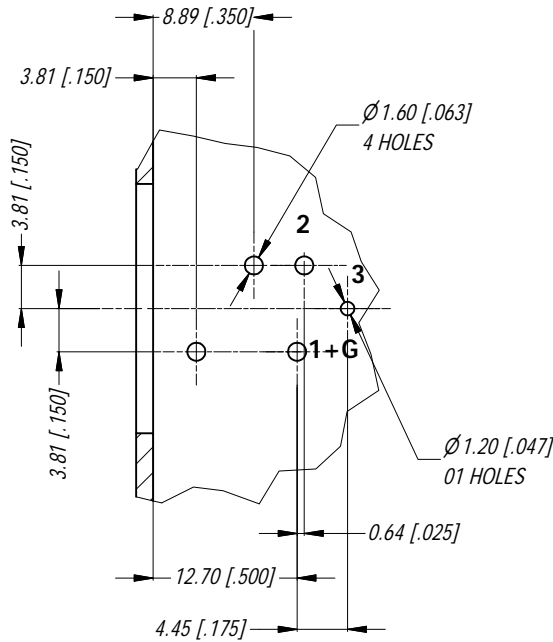
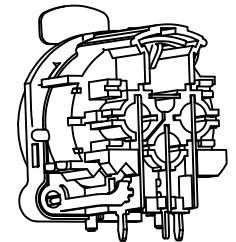


MIN MOUNTING PITCH (1:1)



3D VIEW (1:1)

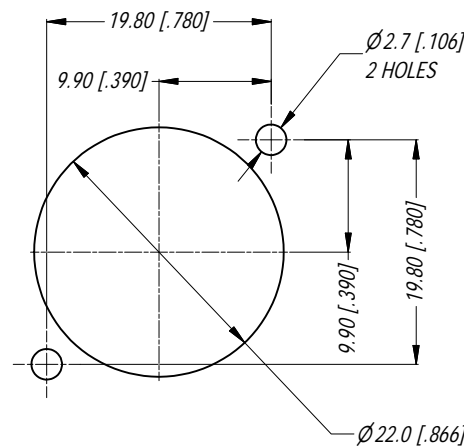


PCB LAYOUT

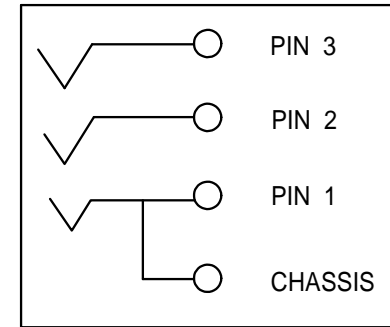
LAYOUT TOLERANCE : ± 0.05 [0.002 in]

NOTE: DIMENSIONS IN PARENTHESES ARE IN INCHES.

NOTE: SUFFIX "B" IN THE PART No. INDICATES BULK PACK.



PANEL CUT OUT
REAR VIEW



SCHEMATIC CHART

REV	DESCRIPTION	DATE	BY	CHG NO
2	ADD SUFFIX B TO PART No	27/08/15	T.N	9318
1	CHANGE NEW PUSH LEVER & LATCH SPRING	18/12/08	A.O	8793
0	FIRST ISSUE	18/09/07	T.N	8686

REVISION HISTORY

UNLESS OTHERWISE SPECIFIED TOLERANCE TO BE:		THIS DOCUMENT IS THE PROPERTY OF AMPHENOL AUSTRALIA PTY. LTD. NO PART THEREOF MAY BE REPRODUCED AND USED WITHOUT THE PRIOR WRITTEN CONSENT OF THE OWNER			
LINEAR		CAD FILE: 55010488000221			
ANGULAR		DRN: T.N	DATE: 17/04/07		
X ±	X' ± 1	CKD: P.M	DATE: 07/04/09		
X.X ±	X.X' ± 30°	APP'D: P.M	DATE: 07/04/09		
X.XX ±	X.X.X' ± 15°				
BREAK ALL SHARP EDGES AND REMOVE ALL BURRS		MATERIAL: REFER TO COMPONENTS			
DO NOT SCALE		FINISH: REFER TO COMPONENTS			
DIMENSIONS IN MILLIMETRES		SCALE: 3:2	PART No: AC3FBH3-AU-B	SIZE: A4	

TITLE:		Amphenol	
XLR FEMALE B TYPE CONNECTOR		Amphenol Australia Pty.Ltd. 2 Fiveways Blvd. Keysborough, Vic3173	
CUSTOMER DWG		DRAWING NO. 55010488-000-2	SHEET 2/2