



Main

| | |
|---------------------------|---|
| Range of product | Phaseo |
| Product or component type | Battery module |
| Input voltage | 24 V DC |
| Output voltage | 24 V DC |
| Maximum output current | 40 A |
| Battery capacity | 7 Ah |
| Holding time | < 20 hat 0.35 A, 68 °F (20 °C) > 5 minat 18.2 A, 68 °F (20 °C) |

Complementary

| | |
|-------------------------|---|
| Input voltage limits | 21...29 V |
| Load current | 0.7 A |
| Charging time | 72 h |
| Output protection type | Against overload and short-circuits, protection technology: 1 x 30 A automotive type fuse |
| Connections - terminals | Screw type terminals input connection, connection capacity: 2 x 0.5...2 x 10 mm ² AWG 20...AWG 8 Screw type terminals output connection, connection capacity: 2 x 0.5...2 x 10 mm ² AWG 20...AWG 8 |
| Self-discharge rate | 15 %, 6 months 3 %, 1 month 9 %, 3 months |
| Fixing mode | By 2 screws, screw(s) Ø = 0.2 in (5 mm) on horizontal panel, operating position: horizontal By 4 screws, screw(s) Ø = 0.2 in (5 mm) on vertical panel, operating position: vertical |
| Output coupling | Parallel |
| Operating altitude | 6561.68 ft (2000 m) |
| Service life in hours | 11000 hat 104 °F (40 °C) 15000 hat 95 °F (35 °C) 22000 hat 86 °F (30 °C) 31000 hat 77 °F (25 °C) 44000 hat 68 °F (20 °C) 5000 hat 122 °F (50 °C) 7300 hat 113 °F (45 °C) |
| Marking | CE |
| Product weight | 14.33 lb(US) (6.5 kg) |

Environment

| | |
|---------------------------------------|--|
| IP degree of protection | Conforming to EN/IEC 60529 |
| ambient air temperature for operation | 32...104 °F (0...40 °C) |
| ambient air temperature for storage | -4...122 °F (-20...50 °C) |
| overvoltage category | Class 3 conforming to VDE 0106-1 |
| vibration resistance | 3.5 mm (f = 3...11.9 Hz) conforming to EN/IEC 61131-2 2 gn (f = 11.9...150 Hz) conforming to EN/IEC 61131-2 |
| product certifications | GOST UL |

Offer Sustainability

| | |
|--|--|
| WARNING: This product can expose you to chemicals including: | WARNING: This product can expose you to chemicals including: |
| Lead and lead compounds, which is known to the State of California to cause cancer and birth defects or other reproductive harm. | Lead and lead compounds, which is known to the State of California to cause cancer and birth defects or other reproductive harm. |

The information provided in this documentation contains general descriptions and/or technical characteristics of the performance of the products contained herein. This documentation is not intended as a substitute for and is not to be used for determining suitability or reliability of these products for specific user applications. It is the duty of any such user or integrator to perform the appropriate and complete risk analysis, evaluation and testing of the products with respect to the relevant specific application or use thereof. Neither Schneider Electric Industries SAS nor any of its affiliates or subsidiaries shall be responsible or liable for misuse of the information contained herein.

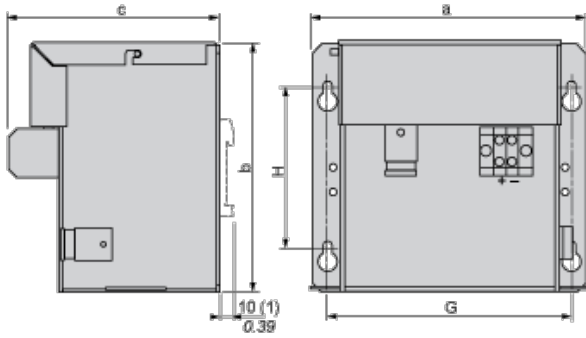
Contractual warranty

Warranty period 18 months

24 Vdc Battery Module

Dimensions

mm
inch



| ABL | a | b | c | G | H |
|-----------|----------|------------|-----|----------|----------|
| 8BPK24A03 | 184/7.24 | 138,5/5.45 | 131 | 156/6.14 | 89/3.27 |
| 8BPK24A07 | 170/6.69 | 155,5/6.12 | 131 | 152/5.98 | 100/3.94 |
| 8BPK24A12 | 236/9.29 | 155,5/6.12 | 131 | 218/3.94 | 100/3.94 |

(1) ABL8BPK24A03 (with kit ABL1A02)

24 Vdc Battery Module

Mounting



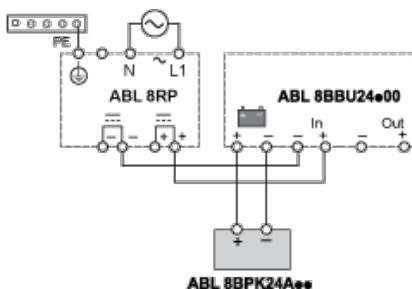
Wiring Requirements

Cable Types and Wire Sizes

| TYPE | 10 | 17 | ABL | ABL |
|----------------------------|--------|------------|------------------|------------|
| 10 | | | 8BBU24200 | 8BBU24400 |
| 17 | | | | |
| Ø ≤ 4 mm² | Ø 3.96 | Ø > 4 mm² | | |
| Ø ≤ 12 AWG | | Ø > 12 AWG | | |
| ABL 8BPK24A** #/ - mm²/MWG | | | 6 /10 | 10 /6 |
| | | | Ø 5,5 mm/0.22 in | |
| | | | 1c | |
| | | | Nm | 1,7 Nm max |
| | | | lb-in | 15 |

24 Vdc Battery Module Wiring

Wiring Diagram



Paralleling 2 x ABL8PK24A0

Wiring Diagram

