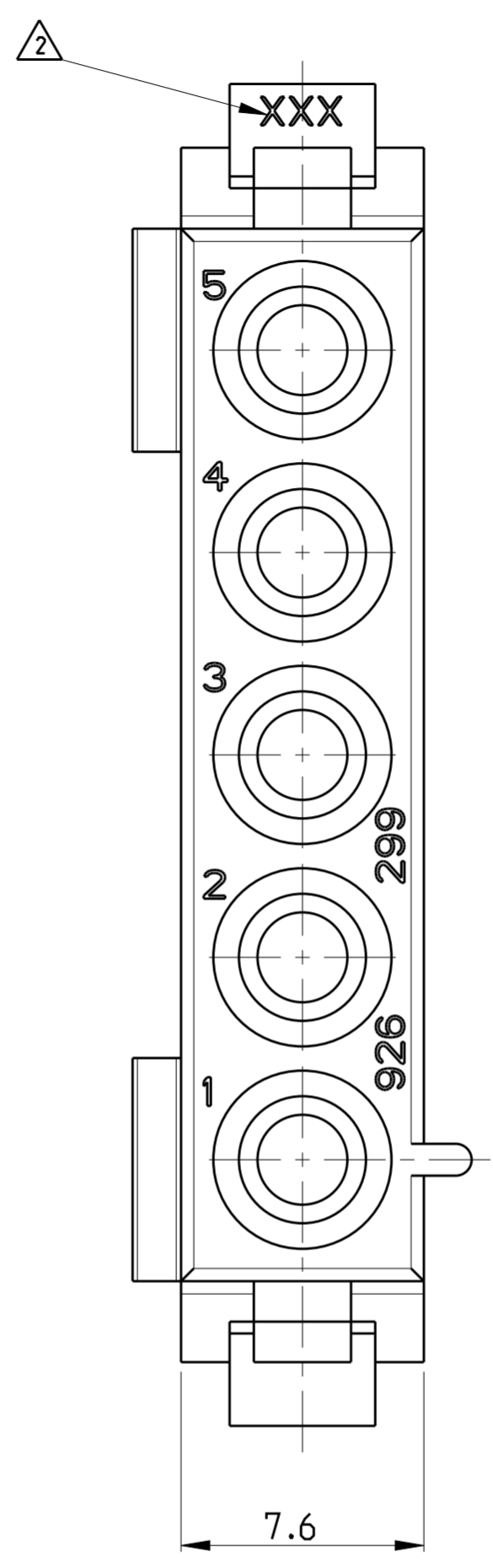
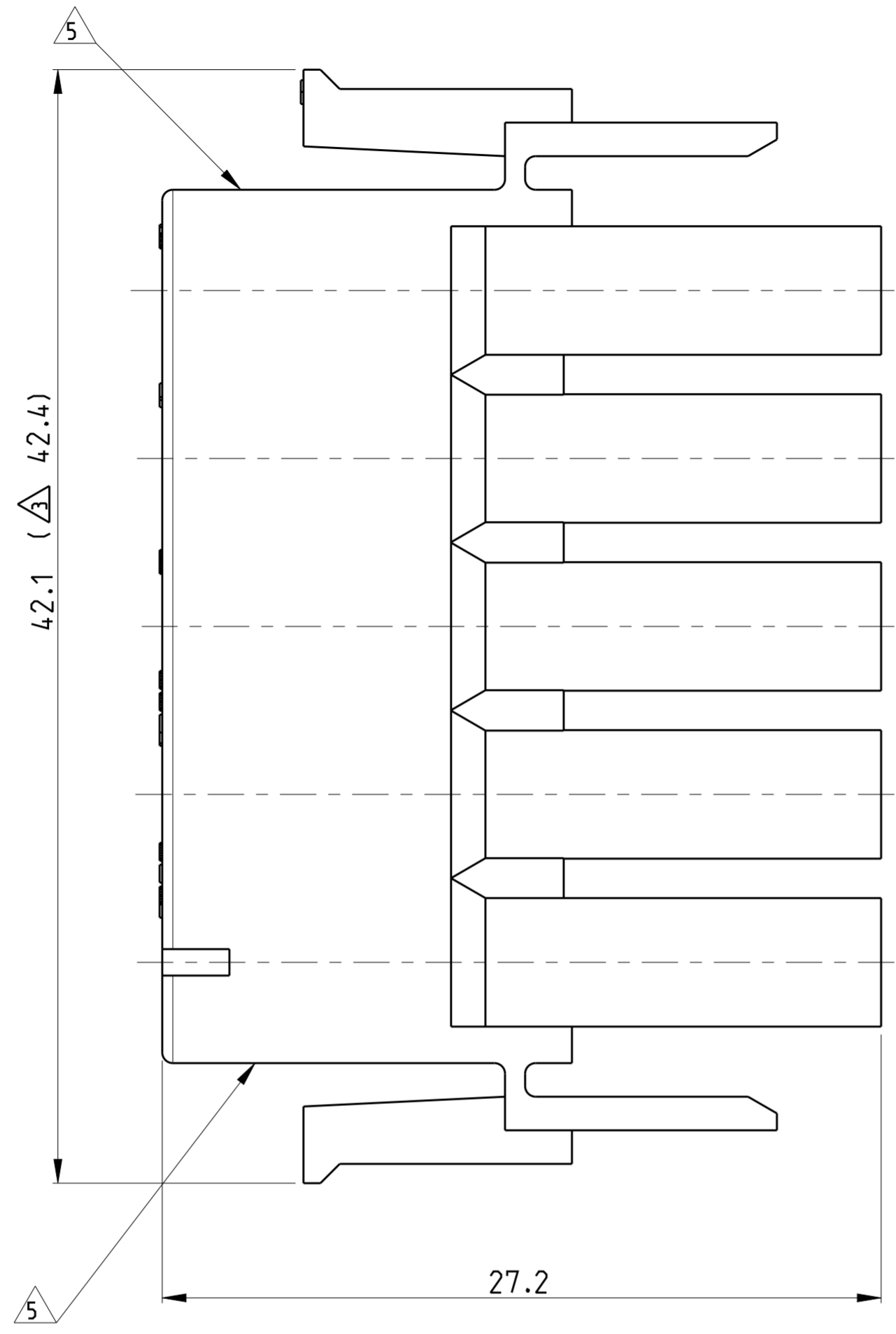
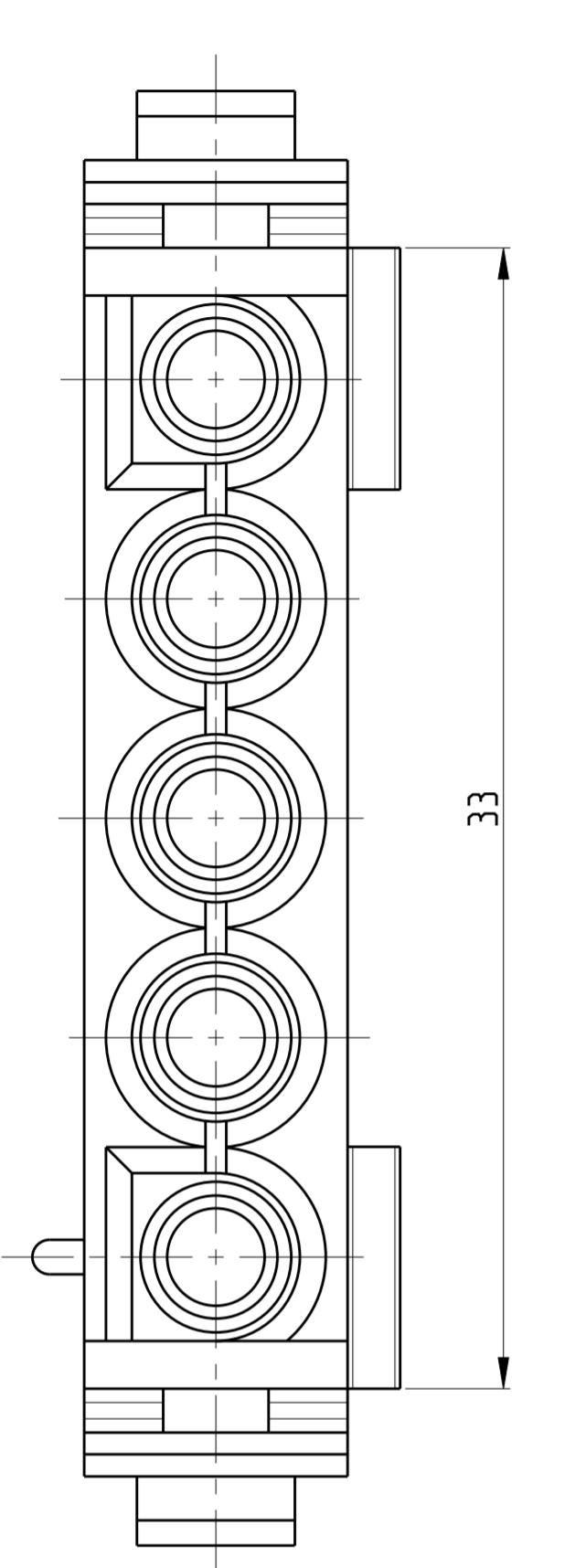


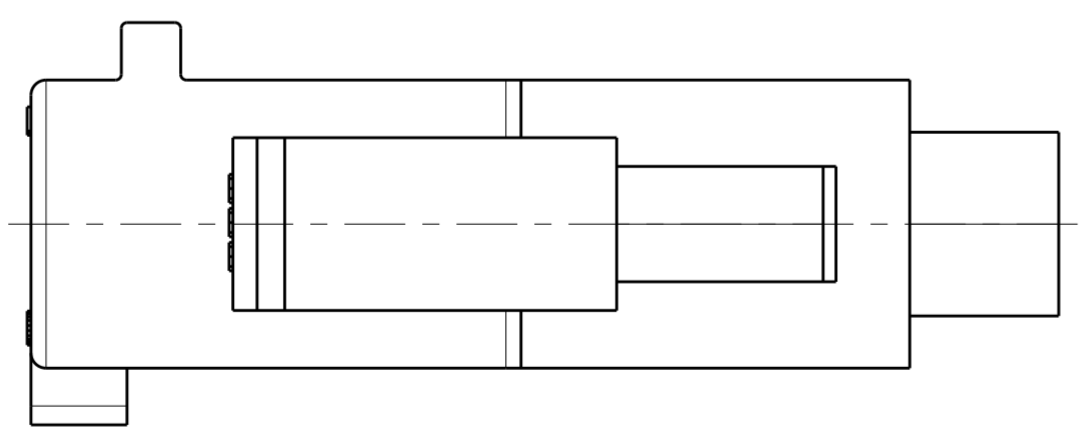
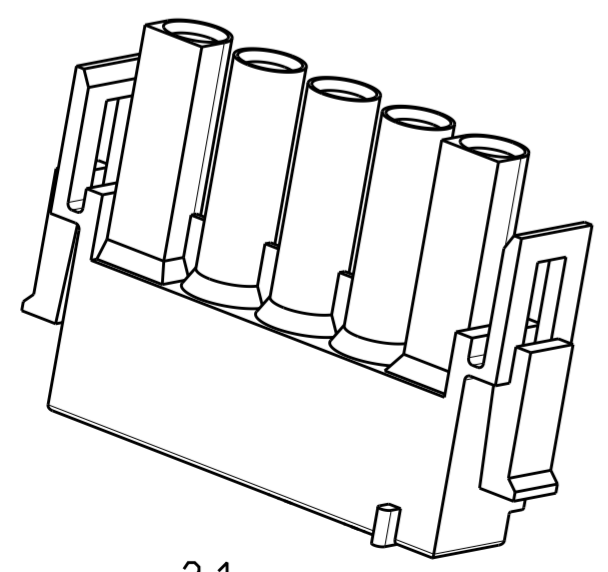
THIS DRAWING IS UNPUBLISHED. RELEASED FOR PUBLICATION 2003
 © COPYRIGHT 2003 ALL RIGHTS RESERVED.

LOC	DIST	REVISIONS			
P	LTR	DESCRIPTION	DATE	DWN	APVD
A1	-	J2	REVISED PER ECR-17-014951	16OCT2017	BDA KR



Bemerkungen
NOTES

- 1 Neues Material (Phosphor und Halogen frei)
NEW MATERIAL (PHOSPHORUS AND HALOGENOUS FREE)
- 2 Hersteller-Logo und Ländercode nach AMP-Spez. 115-18016
BRANDNAME AND MANUFACTURING LOCATION CODE ACCORDING SPEC. 115-18016
- 3 Gl ühdrahtprüfung 750 °C (ohne Flamme)
Maß 42.4 nur für Var. ...-5
GW T 750 °C (WITHOUT FLAME)
DIM 42.4 ONLY FOR VAR. ...-5
- 4 Farbe der Gehäuse kann anhand klar, grün oder gelb wegen hygroskopischen Natur resin. However es hat keinen Einfluss auf die Form, Passform und Funktion der Produktpalette.
COLOR OF HOUSINGS MAY RANGE FROM CLEAR TO GREEN OR YELLOW DUE TO HYGROSCOPIC NATURE OF RESIN. HOWEVER IT DOESN'T AFFECT THE FORM, FIT AND FUNCTION OF THE PRODUCT.
- 5 CSA-ZERTIFIZIERUNGS-LOGO DIE MINDESTENS AUF EINER SEITE DES GEHÄUSES AUFGEFÜHRT WURDE
CSA CERTIFICATION LOGO LOCATED AT LEAST ON ONE SIDE OF THE HOUSING LOCATED AS SHOWN
- 6 DIMENSIONS SHOWN REPRESENT PRODUCT IN DRY, AS MOLDED, CONDITION. ADDITIONAL 2% GROWTH DUE TO SUBSEQUENT MOISTURE ABSORPTION MAY OCCUR AND SHOULD BE ACCOUNTED FOR.



926299-5	PA6 UL94 V-2	3	natur NATURAL
926299-4	PA6.6 UL94 V-0		weiß WHITE
926299-3	PA6.6 UL94 V-0	1	natur NATURAL
926299-2	PA6.6 UL94 V-0		schwarz BLACK
926299-1	PA 66 UL94 V-2	4	natur NATURAL
PART NO.	MATERIAL		COLOR

THIS DRAWING IS A CONTROLLED DOCUMENT. DWN Abraham.G. 22MAY03
 CHK Kampmann.H. 23MAY03

DIMENSIONS: mm	TOLERANCES UNLESS OTHERWISE SPECIFIED: 0 PLC ± 1 PLC ± 0.2 2 PLC ± 3 PLC ± 4 PLC ± ANGLES ±° FINISH	APVD - PRODUCT SPEC 108-1031 APPLICATION SPEC 114-18011 WEIGHT 3.1 g CUSTOMER DRAWING	NAME 5-pol. Steckergewüse 5 WAY PLUG	SIZE A2 CAGE CODE G- DRAWING NO 926299	RESTRICTED TO -
MATERIAL SEE TABLE			SCALE 5:1	SHEET 1 OF 1	REV J2

STE TE Connectivity