

THIS DRAWING IS UNPUBLISHED. RELEASED FOR PUBLICATION AUG ,2006.

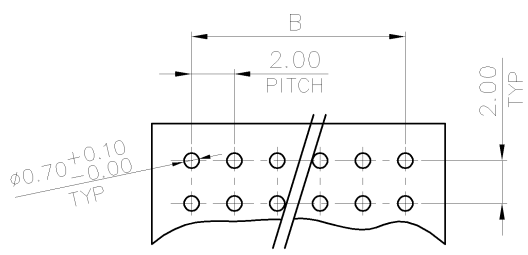
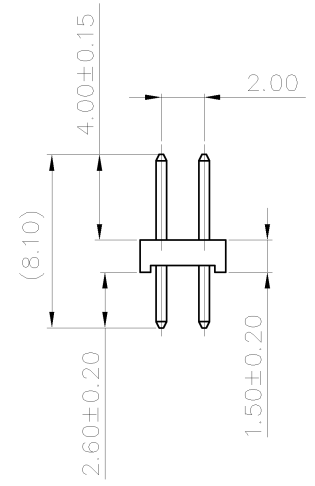
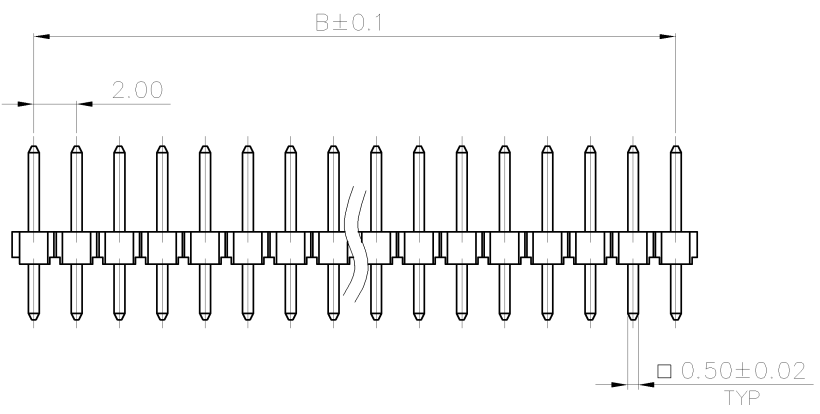
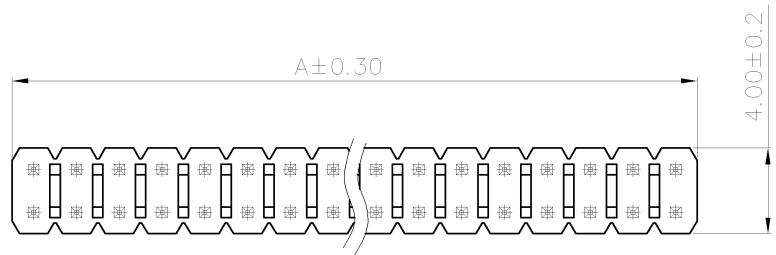
© COPYRIGHT BY TYCO ELECTRONICS CORPORATION. ALL RIGHTS RESERVED.

LOC DW DIST

REVISIONS

P	LTR	DESCRIPTION	DATE	DWN	APVD
C2		REVISED (ECR-11-015593)	27JUL11	JL	WK

- NOTE :
- MATERIAL :
HOUSING : PA6T WITH 30% GF, UL94V-0, BLACK COLOR.
CONTACT : BRASS.
 - FINISH :
CONTACT: 0.2um [8μ"] MIN. GOLD PLATED ON CONTACT AREA
2.54um [100μ"] MIN. MATTE TIN PLATED ON SOLDER TAIL,
1.27um [50μ"] MIN. NICKEL UNDERPLATED OVER ALL
 - APPLICATION :
SOLDERTAIL LENGTH 2.6 FOR PCB THICKNESS 1.6±0.1
 - WAVE SOLDER CAPABLE TO 265°C PER TE SPEC 109-202, CONDITION B.



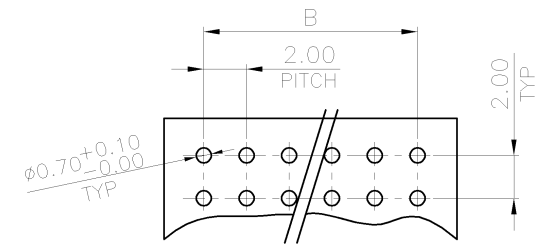
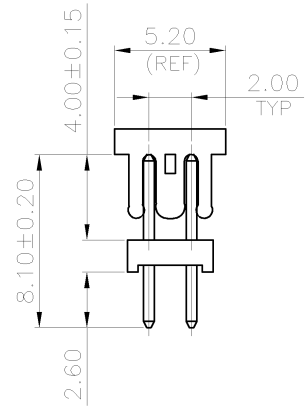
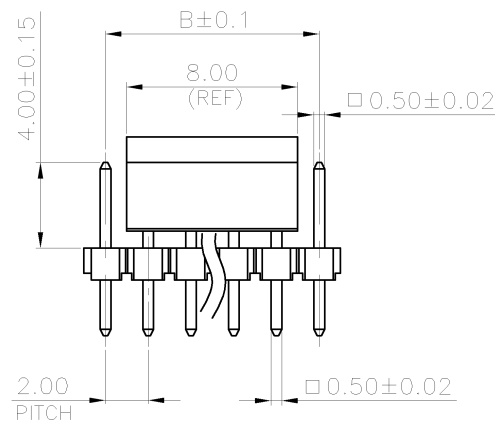
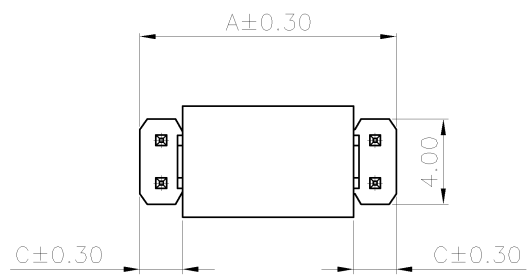
RECOMMENDED PCB LAYOUT TOLERANCE: ±0.05; THICKNESS: 1.0~1.6MM

KEYING POS.	A	B	POSITION NUMBER	PART NUMBER	
	10.00	8.00	10	1-	-1
	80.00	78.00	80	8-	-0
	78.00	76.00	78	7	-8
	76.00	74.00	76	7	-6
	74.00	72.00	74	7	-4
	72.00	70.00	72	7	-2
	70.00	68.00	70	7	0
	68.00	66.00	68	6	-8
	66.00	64.00	66	6	-6
	64.00	62.00	64	6	-4
	62.00	60.00	62	6	-2
	60.00	58.00	60	6	0
	58.00	56.00	58	5	-8
	56.00	54.00	56	5	-6
	54.00	52.00	54	5	-4
	52.00	50.00	52	5	-2
	50.00	48.00	50	5-	0
	48.00	46.00	48	4-	-8
	46.00	44.00	46	4-	-6
	44.00	42.00	44	4	-4
	42.00	40.00	42	4-	-2
	40.00	38.00	40	4-	0
	38.00	36.00	38	3-	-8
	36.00	34.00	36	3-	-6
	34.00	32.00	34	3	-4
	32.00	30.00	32	3-	-2
	30.00	28.00	30	3-	0
	28.00	26.00	28	2-	-8
	26.00	24.00	26	2	-6
	24.00	22.00	24	2-	-4
	22.00	20.00	22	2-	-2
	20.00	18.00	20	2-	0
	18.00	16.00	18	1-	-8
	16.00	14.00	16	1	-6
	14.00	12.00	14	1-	-4
	12.00	10.00	12	1	-2
	10.00	8.00	10	1-	0
	8.00	6.00	8		-8
	6.00	4.00	6		-6
	4.00	2.00	4		1734508-4

THIS DRAWING IS A CONTROLLED DOCUMENT.		DWN S. CHIEN 02DEC2008	STE TE Connectivity	
DIMENSIONS: MM		CHK S. CHIEN 02DEC2008		
TOLERANCES UNLESS OTHERWISE SPECIFIED:		APVD W. KODAMA 02DEC2008	NAME	
0 PLC ± 0.5		PRODUCT SPEC		AMPMODU 2.0mm PITCH POST HDR, VERTICAL, MOUNT TYPE
1 PLC ± 0.2		108-57197		
2 PLC ± 0.1		QUALIFICATION TEST REPORT		SIZE
3 PLC ± 0.05		501-57197		CAGE CODE
4 PLC ± ± 3°		WEIGHT -		DRAWING NO
MATERIAL SEE NOTE	FINISH SEE NOTE	CUSTOMER DRAWING		RESTRICTED TO
		A3 00779		©=1734508
		SCALE		SHEET 1 OF 4
				REV C2

THIS DRAWING IS UNPUBLISHED. RELEASED FOR PUBLICATION
 © COPYRIGHT 2011 BY TYCO ELECTRONICS CORPORATION. ALL RIGHTS RESERVED.

LOC DW	DIST	REVISIONS			
P	LTR	DESCRIPTION	DATE	DWN	APVD
		SEE SHEET 1.			



RECOMMENDED PCB LAYOUT
 TOLERANCE: ± 0.05 ; THICKNESS: $1.0 \sim 1.6$ MM

- NOTE:
- MATERIAL:
 HOUSING: PA6T WITH 30% GF, UL 94V-0, BLACK COLOR.
 CAP: LCP WITH 30% GF, UL 94V-0. BLACK COLOR.
 CONTACT: BRASS.
 - FINISH :
 CONTACT:
 $0.0254 \mu\text{m}$ [10u"] MIN. GOLD PLATED ON CONTACT AREA
 $2.54 \mu\text{m}$ [100u"] MIN. MATTE-TIN PLATED ON SOLDER TAIL,
 $1.27 \mu\text{m}$ [50u"] MIN. NICKEL UNDERPLATED OVER ALL
 - WAVE SOLDER CAPABLE TO 265°C PER TEST SPEC 109-202, CONDITION B.

3.00	14.00	12.00	14	9-1734508-4
2.00	12.00	10.00	12	9-1734508-2
C	A	B	POSITION NUMBER	PART NUMBER
DIMENSIONS				

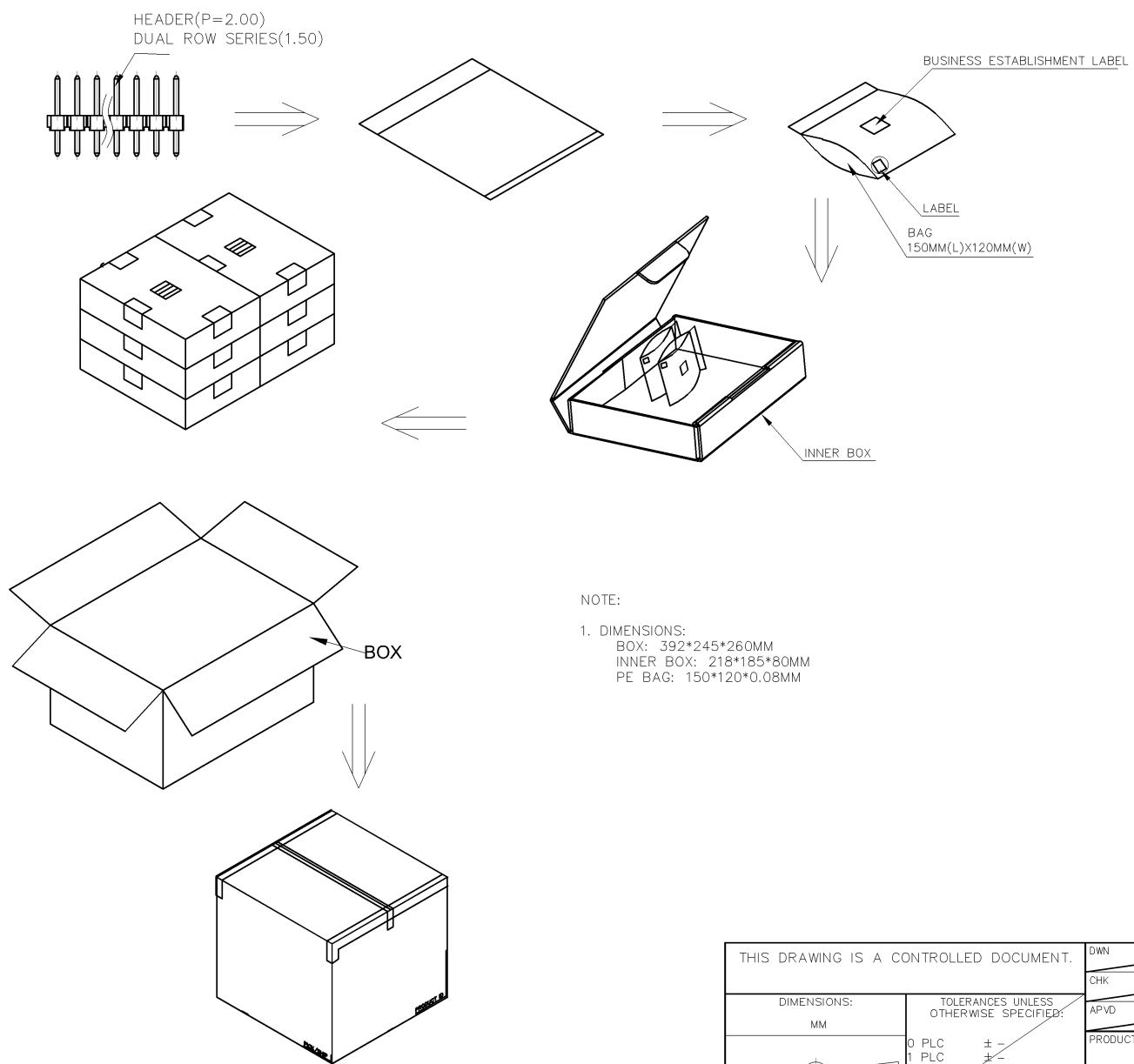
THIS DRAWING IS A CONTROLLED DOCUMENT.		DWN	-		
DIMENSIONS: mm		CHK	-		
TOLERANCES UNLESS OTHERWISE SPECIFIED:		APVD	-		
0 PLC $\pm -$		PRODUCT SPEC	-		
1 PLC ± 0.3		APPLICATION SPEC	-		
2 PLC ± 0.2		WEIGHT	-		
3 PLC ± 0.15		SCALE	-		
4 PLC $\pm -$		SHEET	2 of 4		
ANGLES $\pm -$		REV	C2		
MATERIAL SEE NOTE		FINISH SEE NOTE	-		
-		RESTRICTED TO	-		
-		SIZE	A3		
-		CAGE CODE	00779		
-		DRAWING NO	C=1734508		
CUSTOMER DRAWING		-			



AMPMODU, 2.0mm PITCH, POST HDR, VERTICAL, MOUNT TYPE

THIS DRAWING IS UNPUBLISHED. RELEASED FOR PUBLICATION AUG .2006.
 © COPYRIGHT - BY TYCO ELECTRONICS CORPORATION. ALL RIGHTS RESERVED.

LOC	DIST	REVISIONS					
DW		P	LTR	DESCRIPTION	DATE	DWN	APVD
				SEE SHEET 1.			



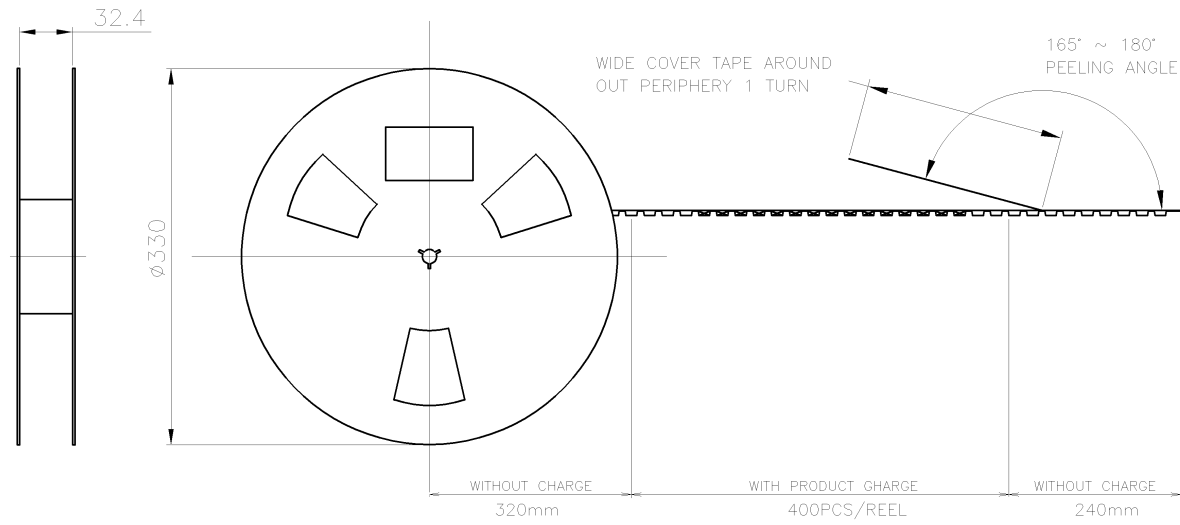
NOTE:
 1. DIMENSIONS:
 BOX: 392*245*260MM
 INNER BOX: 218*185*80MM
 PE BAG: 150*120*0.08MM

	6.90 KG	5.52 KG	500	8	6	24000 PCS	10
	5.786 KG	4.406 KG	50	8	6	2400 PCS	80
OBSOLETE	5.676 KG	4.296 KG	50	8	6	2400 PCS	78
	5.565 KG	4.185 KG	50	8	6	2400 PCS	76
	5.433 KG	4.053 KG	50	8	6	2400 PCS	74
	5.344 KG	3.964 KG	50	8	6	2400 PCS	72
	5.236 KG	3.856 KG	50	8	6	2400 PCS	70
	5.126 KG	3.746 KG	50	8	6	2400 PCS	68
	5.74 KG	4.36 KG	60	8	6	2880 PCS	66
	5.61 KG	4.23 KG	60	8	6	2880 PCS	64
	5.478 KG	4.098 KG	60	8	6	2880 PCS	62
	6.006 KG	4.626 KG	70	8	6	3360 PCS	60
	5.852 KG	4.472 KG	70	8	6	3360 PCS	58
	7.548 KG	6.168 KG	100	8	6	4800 PCS	56
	7.33 KG	5.947 KG	100	8	6	4800 PCS	54
	7.106 KG	5.726 KG	100	8	6	4800 PCS	52
	6.89 KG	5.51 KG	100	8	6	4800 PCS	50
	6.669 KG	5.289 KG	100	8	6	4800 PCS	48
	6.448 KG	5.068 KG	100	8	6	4800 PCS	46
OBSOLETE	6.228 KG	4.848 KG	100	8	6	4800 PCS	44
	6.007 KG	4.627 KG	100	8	6	4800 PCS	42
	5.786 KG	4.406 KG	100	8	6	4800 PCS	40
	5.565 KG	4.185 KG	100	8	6	4800 PCS	38
	5.344 KG	3.964 KG	100	8	6	4800 PCS	36
OBSOLETE	5.124 KG	3.744 KG	100	8	6	4800 PCS	34
	4.903 KG	3.523 KG	100	8	6	4800 PCS	32
	4.687 KG	3.307 KG	100	8	6	4800 PCS	30
	4.466 KG	3.086 KG	100	8	6	4800 PCS	28
OBSOLETE	5.678 KG	4.298 KG	150	8	6	7200 PCS	26
	5.35 KG	3.97 KG	150	8	6	7200 PCS	24
	6.23 KG	4.85 KG	200	8	6	9600 PCS	22
	5.79 KG	4.41 KG	200	8	6	9600 PCS	20
	6.35 KG	4.97 KG	250	8	6	12000 PCS	18
OBSOLETE	5.78 KG	4.40 KG	250	8	6	12000 PCS	16
	6.00 KG	4.62 KG	300	8	6	14400 PCS	14
OBSOLETE	5.34 KG	3.96 KG	300	8	6	14400 PCS	12
	6.90 KG	5.52 KG	500	8	6	24000 PCS	10
	5.80 KG	4.42 KG	500	8	6	24000 PCS	8
	6.68 KG	5.30 KG	800	8	6	38400 PCS	6
	5.79 KG	4.41 KG	1000	8	6	48000 PCS	4
	GROSS WEIGHT	NET WEIGHT	PCS/BAG	BAGS /INNER CARTON	INNER CARTON /CARTON	QUANTITY	NO. OF POSTS

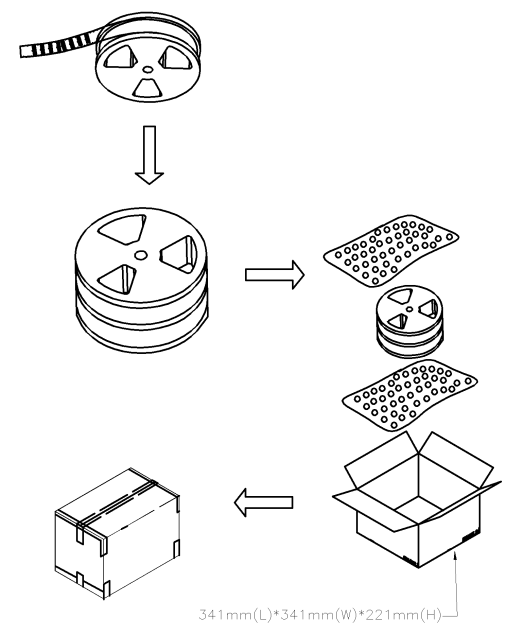
THIS DRAWING IS A CONTROLLED DOCUMENT.		DWN	STE TE Connectivity				
DIMENSIONS: MM		CHK					
TOLERANCES UNLESS OTHERWISE SPECIFIED:		APVD	NAME				
0 PLC ± -		PRODUCT SPEC	AMPMODU 2.0mm PITCH, POST HDR, VERTICAL, MOUNT TYPE				
1 PLC ± -		APPLICATION SPEC	SIZE CAGE CODE DRAWING NO RESTRICTED TO				
2 PLC ± -		WEIGHT	A300779		C=1734508		
3 PLC ± -			CUSTOMER DRAWING				
4 PLC ± -			SCALE		SHEET 3 OF 4		REV C2
ANGLES ± -							
MATERIAL							
FINISH							

THIS DRAWING IS UNPUBLISHED. RELEASED FOR PUBLICATION
 © COPYRIGHT 2011 BY TYCO ELECTRONICS CORPORATION. ALL RIGHTS RESERVED.

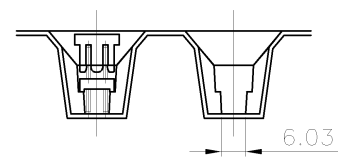
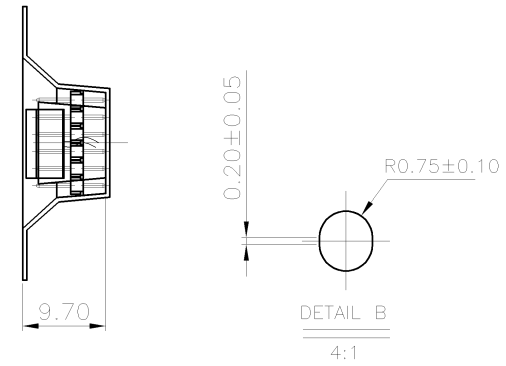
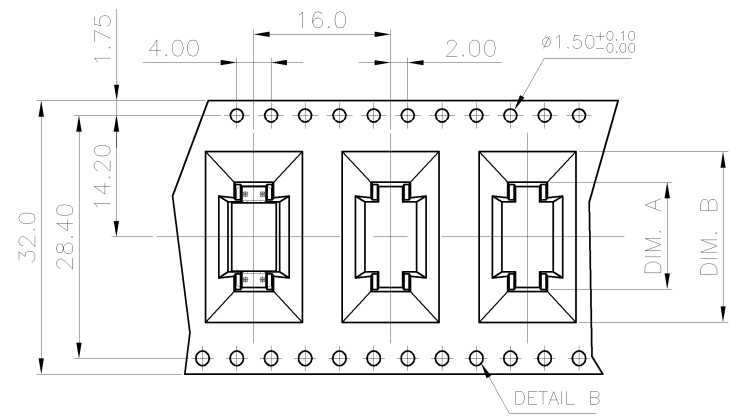
LOC DW	DIST	REVISIONS			
P	LTR	DESCRIPTION	DATE	DWN	APVD
		SEE SHEET 1.			



- NOTES :
- MATERIAL :
 COVER TAPE : PT+ABS, COLOR: TRANSPARENT
 CARRIER TAPE : PS
 REEL : PS
 SHIPPING BOX: CORRUGATED FIBER
 - PEELING RESISTANCE : 10gf~130gf (for 12mm~56mm)
 - PEELING SPEED : 300mm/MINUTES



22.00	14.80	3.70KG	1.03KG	2000	400	14	9-1734508-4
20.00	12.80	3.51KG	0.94KG	2000	400	12	9-1734508-2
DIM. B	DIM. A	GROSS WEIGHT	NET WEIGHT	PCS/BOX	PCS/REEL	POS	PART NO.



THIS DRAWING IS A CONTROLLED DOCUMENT.

DIMENSIONS: mm	TOLERANCES UNLESS OTHERWISE SPECIFIED: 0 PLC ± - 1 PLC ± 0.3 2 PLC ± 0.2 3 PLC ± 0.15 4 PLC ± - ANGLES ± 3'	DWN	-
MATERIAL	FINISH	CHK	-
		APVD	-
		PRODUCT SPEC	-
		APPLICATION SPEC	-
		WEIGHT	-
		CUSTOMER DRAWING	-

STE TE Connectivity

NAME: AMPMODU, 2.0mm PITCH, POST HDR, VERTICAL, MOUNT TYPE

SIZE	CAGE CODE	DRAWING NO	RESTRICTED TO
A3	00779	C=1734508	-

SCALE: - SHEET: 4 of 4 REV: C2