

# EmETXe-i67M1/i65M1



## Intel® 2nd Gen. COM Express Basic Type 2 CPU Module



### Features

- Soldered Onboard 2nd Gen. Intel® Core™ i7-i2610UE/ Celeron® 827E Processor
- Integrated Gigabit Ethernet
- Dual Channels 24-bit LVDS, Analog RGB, and DDI Port
- Support Dual Independent Displays
- RAID 0, 1, 5, 10 Supported (only for EmETXe-i67M1-2610UE)
- **Extended Operating Temp.: -20 ~ 70°C**

### System

<b>CPU</b>	Soldered onboard Intel® Core™ i7-2610UE 1.5GHz or Celeron® 827E 1.4GHz processor
<b>Memory</b>	2 x DDR3 SO-DIMM sockets, supporting SDRAM up to 8GB
<b>Chipset</b>	Intel® PCH QM67 for EmETXe-i67M1-2610UE Intel® PCH HM65 for EmETXe-i65M1-827E
<b>BIOS</b>	AMI UEFI BIOS
<b>Watchdog Timer</b>	1~255 levels reset

### I/O

<b>USB Port</b>	8 x USB 2.0 ports
<b>Digital I/O</b>	8-bit programmable Digital Input/Output
<b>Expansion Bus</b>	1 x PCIe x16 lanes 5 x PCIe x1 lanes 4 x PCI masters LPC (Low Pin Count) interface
<b>Storage</b>	4 x Serial ATA ports: - 2 ports with 600MB/s HDD transfer rate - 2 ports with 300MB/s HDD transfer rate
<b>Ethernet Chipset</b>	1 x Intel® 82583V PCIe GbE Controller
<b>Audio</b>	HD Audio Link

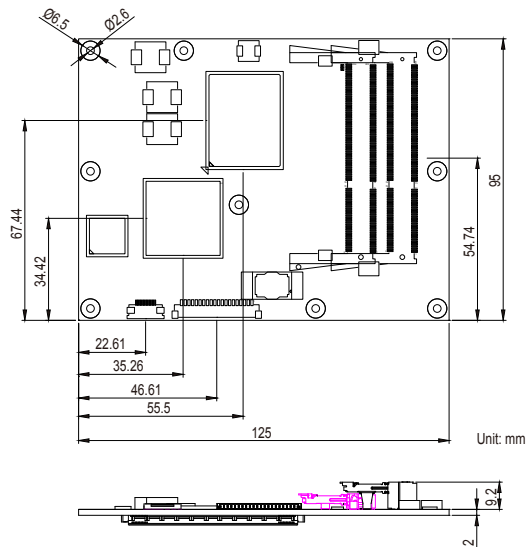
### Display

<b>Graphics Chipset</b>	Integrated Intel® HD Graphics 3000
<b>Graphics Interface</b>	Analog RGB supports resolution up to 2048 x 1536 @60Hz LCD: Dual Channels 24-bit LVDS, resolution up to 1920 x 1600 Support DDI port connector on CPU module Support Dual Independent Displays

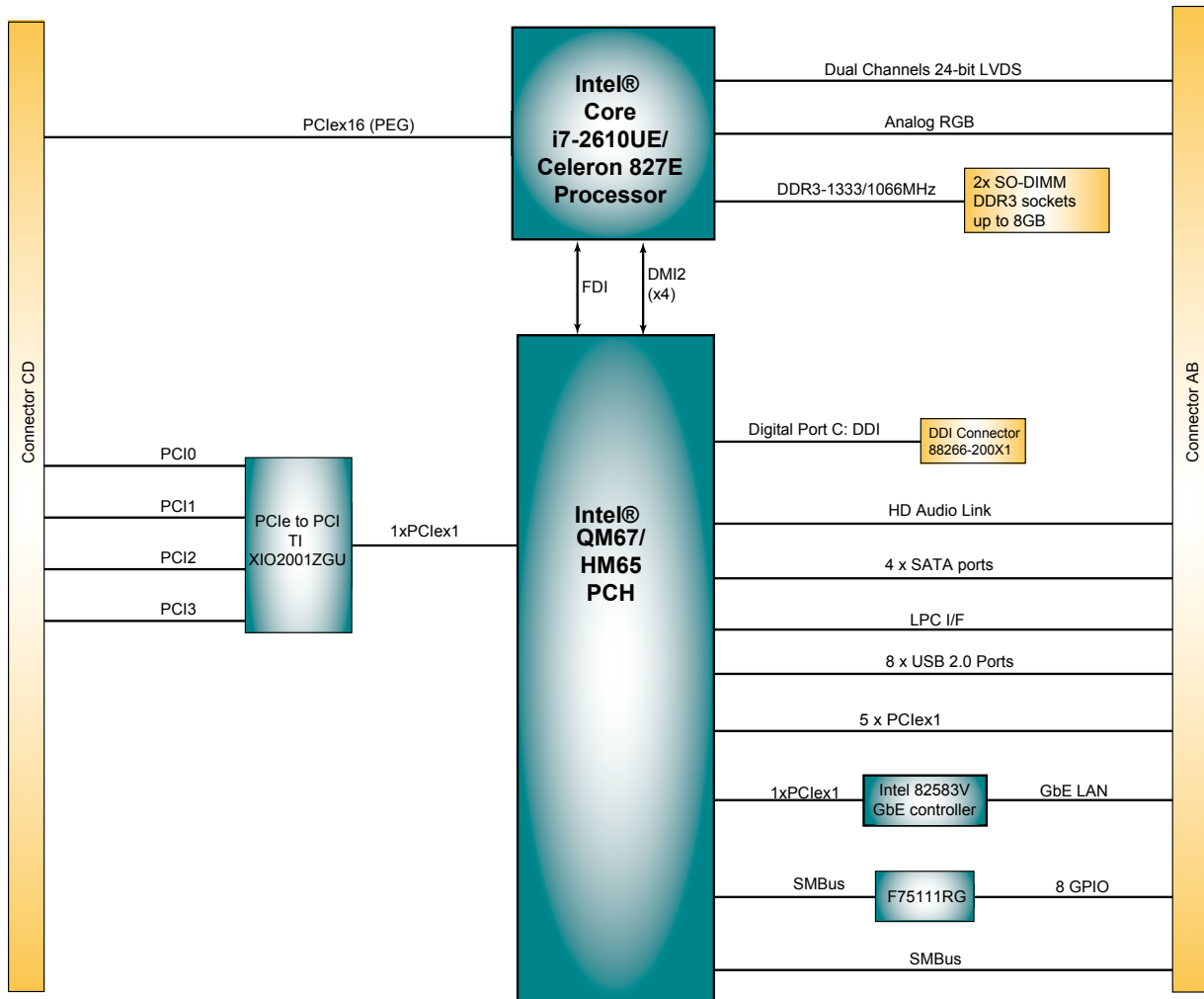
### Mechanical & Environmental

<b>Power Requirement</b>	+12V, 5VSB
<b>Power Consumption</b>	2.12A@+12V with i7-2610UE (Typical)
<b>Operating Temp.</b>	-20 ~ 70°C (-4 ~ 158°F)
<b>Operating Humidity</b>	10 ~ 95% @ 70°C (non-condensing)
<b>Dimension (L x W)</b>	125 x 95 mm (4.9" x 3.7")

### Dimensions



## Block Diagram



## Ordering Information

**EmETXe-i67M1-2610UE** Intel® Core™ i7-2610UE/ QM67 COM Express CPU module

**EmETXe-i65M1-827E** Intel® Celeron® 827E/HM65 COM Express CPU module

## Optional Accessories

**FCDB-1424** DisplayPort daughter board

Page 131

**HS-67M1-F2** Heat spreader (125x95x11mm)

**HS-0000-W4** Universal evaluation heatsink kit w/ thermal pad (dimension: 125x95x22mm, only used on a flat type heatspreader)

**PBE-1700-W R1.3** COM Express type 2 evaluation board in ATX form factor w/ W83627 Super IO

Page 64

**CBK-04-1700-00**

- Cable Kit
- 1 x SATA cable
- 1 x COM port cable
- 1 x FDD cable
- 1 x IDE cable