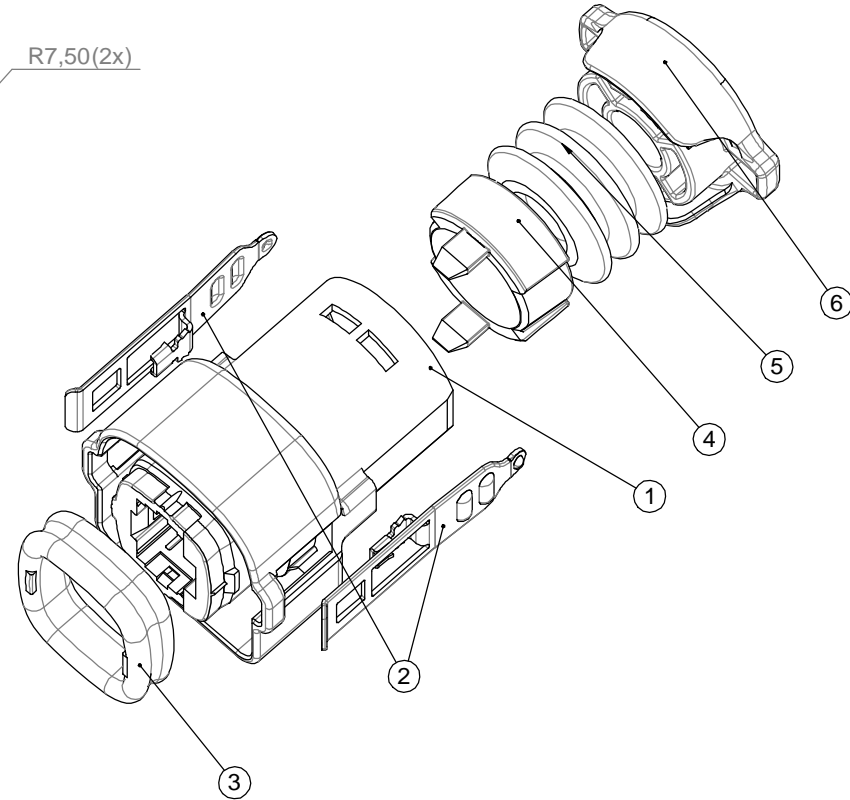
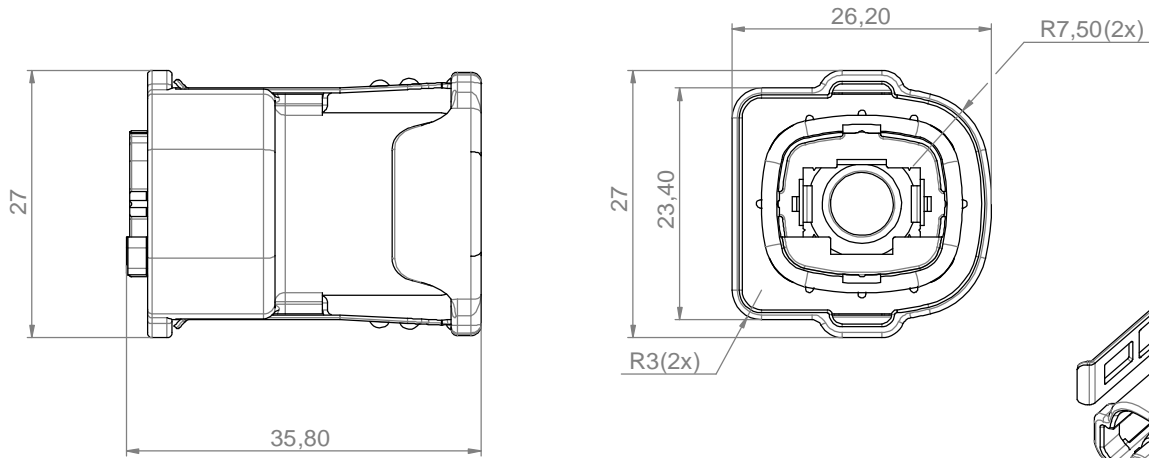


THE INFORMATION CONTAINED IN THIS DRAWING IS THE SOLE PROPERTY OF YAMAICHI ELECTRONICS DEUTSCHLAND GmbH. ANY REPRODUCTION IN PART OR WHOLE WITHOUT THE WRITTEN PERMISSION OF YAMAICHI ELECTRONICS DEUTSCHLAND GmbH IS PROHIBITED.

CONFIDENTIAL



ITEM NO.	PART NUMBER	QTY.	DESCRIPTION	PART NAME
1	P(090)P01	1	Griffschale RJ45plus	TP1010GH-IP67-BLACK
2	P(090)P835	2	Metal latch for Y-ConCover-xx new design	Y-CON LATCH-2
3	P(090)P333	1	Radialdichtung Y-Con IP67 HNBR	Y-Con SEAL-RD-2
4	P(090)P266	1	Stopper for Y-ConCover-10 / Plug	Y-ConStopper
5	P(090)P03	1	Y-ConAS-22 IP67 cable seal	Y-ConAS-22
6	P(090)P169	1	IP67 Abschlussstopfen, schwarz f. Y-ConCover-10	Y-Con AS-23-B

UNLESS OTHERWISE SPECIFIED:
DIMENSIONS ARE IN MILLIMETERS
TOLERANCES: ±0.3
ALL UNDIMENSIONED EDGES
HAVE A RADIUS OF: 0.2 mm

Order / Article No. 82-00474

REV.	REVISION DESCRIPTION	INITIALS	REV. DATE

MOB 20.07.2009

DO NOT SCALE DRAWING

CLASSIFICATION: IP67 cover blue mounted, HNBR

NOTES:

DESIGN	NAME	DATE
JN	JN	19.06.2008
DRAWN	MOB	20.07.2009
CHECKED	SV	04.08.2009

TITLE: Y-ConCover-10-LT

DWG NO.: Customer-P(090)A487

REVISION: A

ANGLE PROJECTION: First

WEIGHT:

SCALE: 2:1

SHEET 1 OF 1

A3 - ASSEMBLY

10.11.2011

