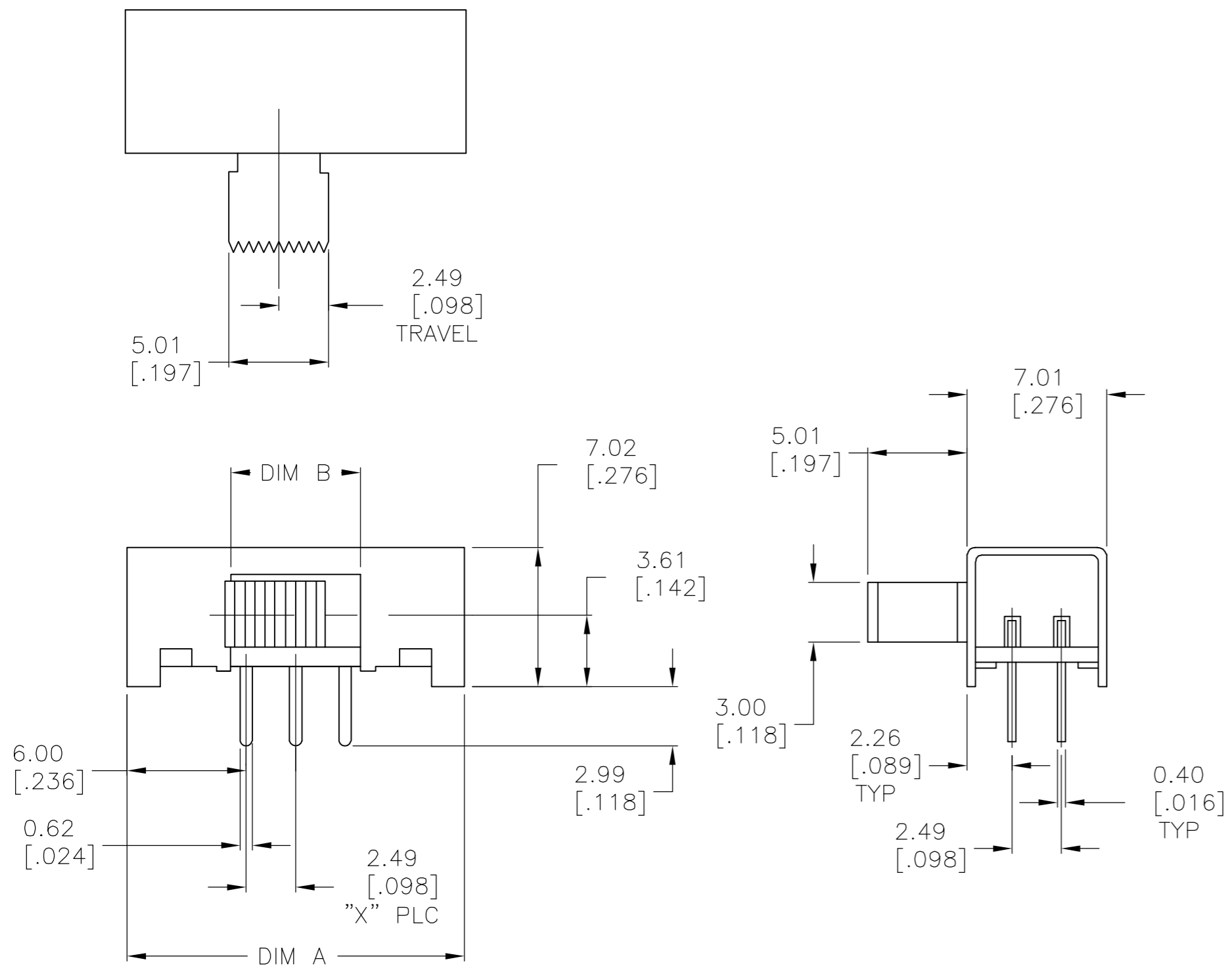


LOC	DIST	REVISIONS			
P	LTR	DESCRIPTION	DATE	DWN	APVD
AD	00	A1	ECO-06-029077	06FEB2007	RB MS



SPECIFICATIONS:
 MAKE-BEFORE-BREAK

MATERIALS:
 FRAME: STEEL, ZINC PLATE
 ACTUATOR: POM UL94HB, BLACK
 FIXED CONTACT/TERMINAL: COPPER ALLOY, SILVER OVER NICKEL PLATE
 MOVING CONTACT: COPPER ALLOY, SILVER CLAD
 COIL SPRING: TEMPERED STEEL WIRE
 BALL- TEMPERED CARBON STEEL
 TERMINAL BOARD: PHENOLIC, UL94HB
 TERMINAL SEAL: EPOXY

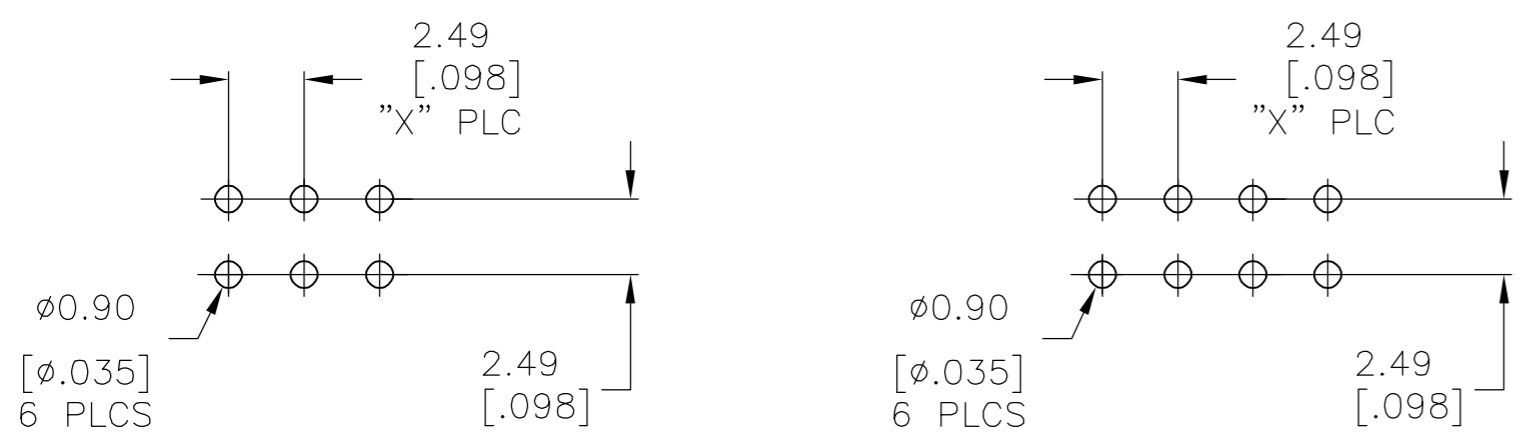
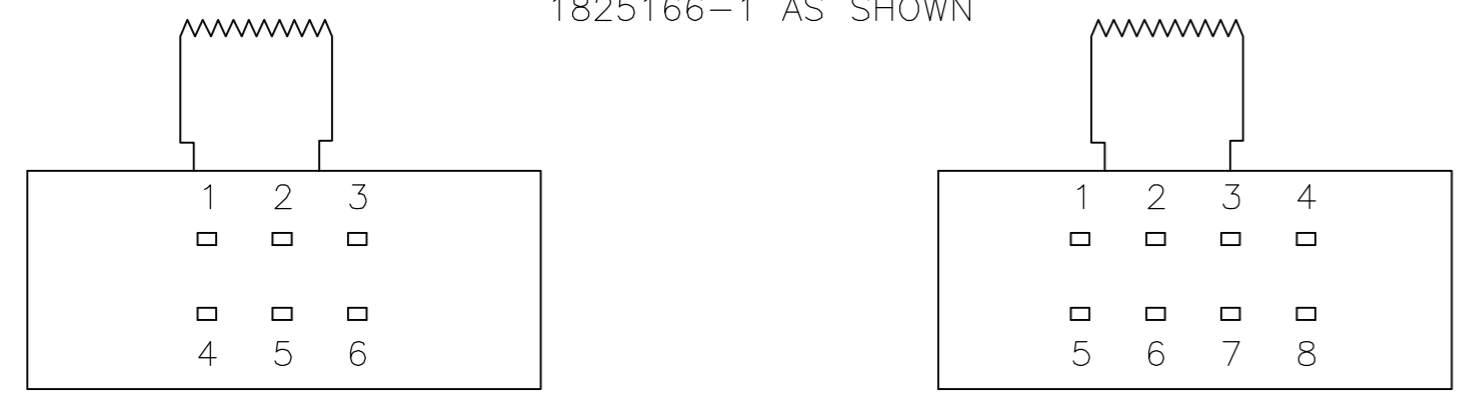
ELECTRICAL:
 CONTACT RATING: 250 MILLIAMPS@125V AC
 CONTACT RESISTANCE: 30 MILLIOHMS MAX (INITIAL), 60 MILLIOHMS AFTER TEST
 INSULATION RESISTANCE: 500 MEGOHMS MIN AT 500V DC
 DIELECTRIC STRENGTH: 500 VAC RMS AT SEA LEVEL
 LIFE EXPECTANCY: 10,000 CYCLES MIN. NO LOAD

MECHANICAL:
 ACTUATION FORCE: 250 +150/-100 GRAMS
 TRAVEL: 2.49 [.098]

ENVIRONMENTAL:
 OPERATING TEMPERATURE: -10° TO +60°C
 STORAGE TEMPERATURE: -10° TO +60°C
 RESISTANCE TO SOLDER HEAT: 260°C FOR 10 SEC PER 109-202, COND. B
 SOLDERABILITY: PER EIA-364-56A, PROCEDURE 3, COND. B

- NOTES:
 1. ALL MATERIALS AND FINISHES SHALL COMPLY WITH EU DIRECTIVE 2002/95/EC OF 27JAN2003 (ROHS)
 2. ALL PERFORMANCE SPECIFICATIONS WERE TESTED IN ACCORDANCE WITH JIS-C-5441 UNLESS OTHERWISE STATED.

1825166-1 AS SHOWN



P.C.B. HOLE LAYOUT
 (HOLE LAYOUT TOL ±.002 ON ALL DIMENSIONS)

1825166-1

P.C.B. HOLE LAYOUT
 (HOLE LAYOUT TOL ±.002 ON ALL DIMENSIONS)

1825166-2

1-2 5-6	2-3 6-7	3-4 7-8	-	-	1 2 3 4 • • • • 5 6 7 8	3	8.99 [.354]	19.51 [.768]	DP3T	STSA230RA04	1825166-2	
-	-	-	1-2 4-5	2-3 5-6	1 2 3 • • • 4 5 6	2	6.50 [.256]	16.99 [.669]	DPDT	STSA220RA04	1825166-1	
FUNCTION DIAGRAM						BOTTOM VIEW	X PLC	DIM B	DIM A	FUNCTION	T&B P/N	TYCO P/N

THIS DRAWING IS A CONTROLLED DOCUMENT.

DIMENSIONS: mm [INCHES]
 TOLERANCES UNLESS OTHERWISE SPECIFIED:
 0 PLC ± -
 1 PLC ± -
 2 PLC ± 0.25[.010]
 3 PLC ± -
 4 PLC ± -
 ANGLES ± -
 FINISH -

DWN B.S.VISWESWARA
 CHK M S SARVER
 APVD -
 PRODUCT SPEC -
 APPLICATION SPEC -
 WEIGHT -

tyco Electronics
 Tyco Electronics Corporation
 Harrisburg, Pa 17105-3608

NAME
 SLIDE SWITCH,
 STSA220RA & STSA230RA SERIES

SIZE A2
 CAGE CODE 00779
 DRAWING NO C=1825166
 RESTRICTED TO -

CUSTOMER DRAWING
 SCALE 4:1
 SHEET 1 OF 1
 REV A1

1825166

A