

THIS DRAWING IS UNPUBLISHED.

RELEASED FOR PUBLICATION

2011

© COPYRIGHT 2011 BY -

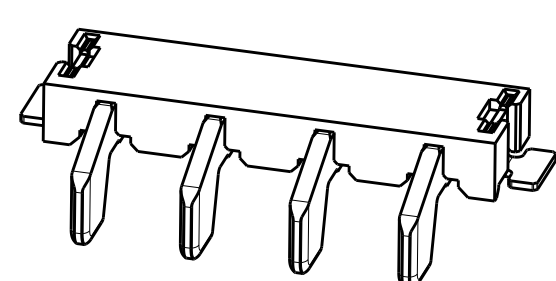
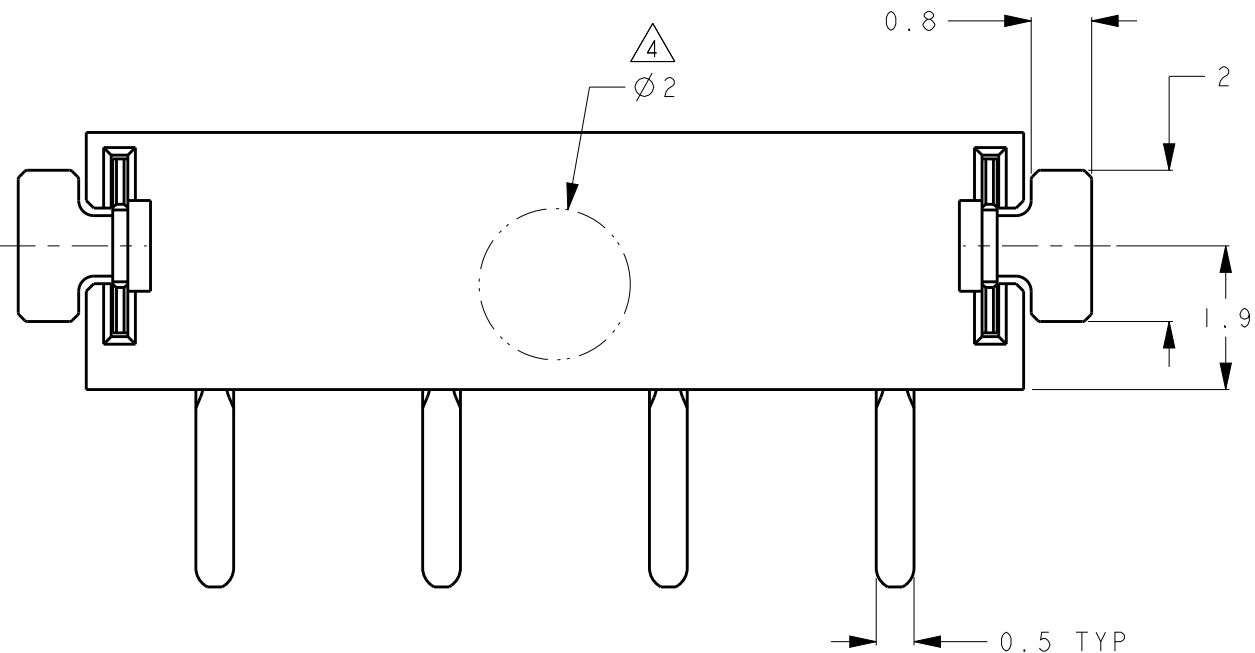
ALL RIGHTS RESERVED.

LOC  
ES

DIST  
-

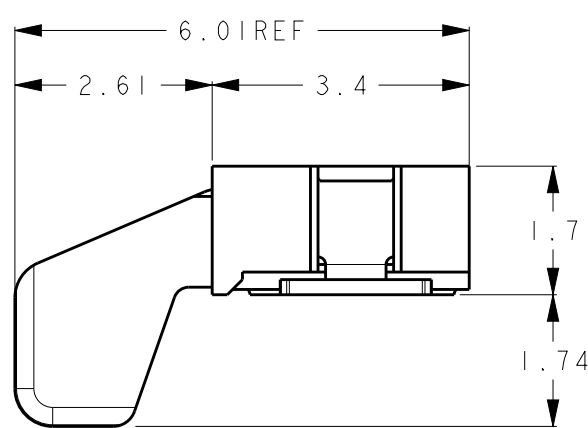
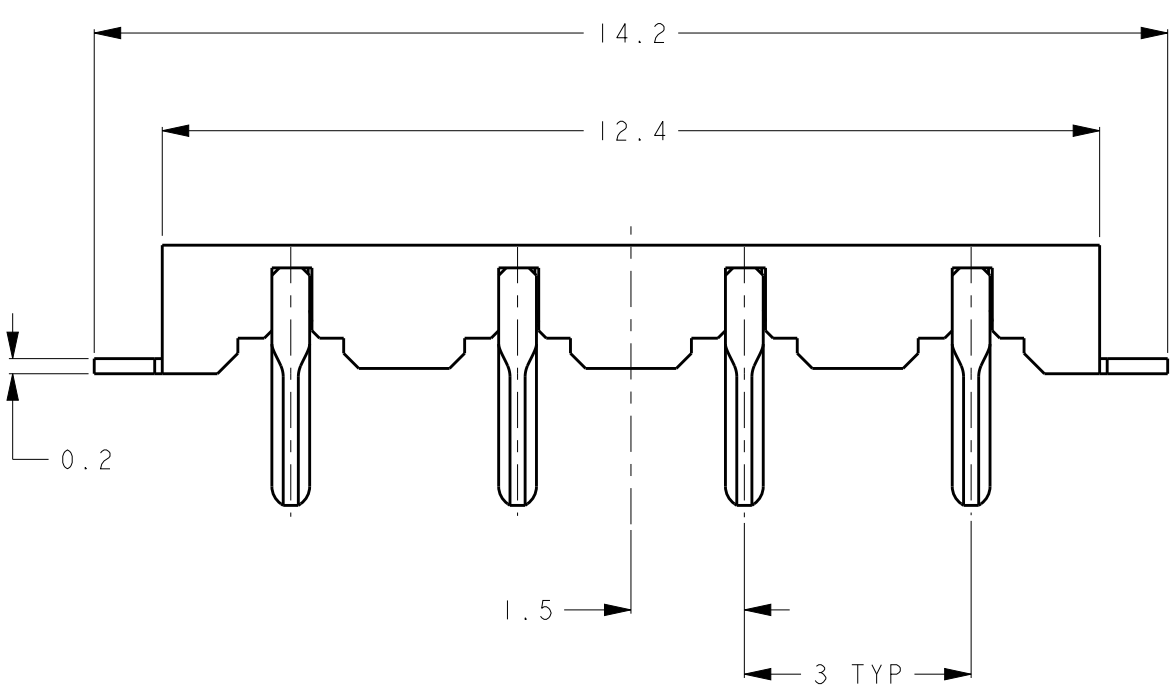
REVISIONS

P	LTR	DESCRIPTION	DATE	DWN	APVD
	A	RELEASED	04FAB2013	R.W	S.Y



SCALE 5:1

- 1 MATERIAL  
CONTACT: COPPER ALLOY  
HOUSING: THERMOPLASTIC, BLACK  
SOLDER PEG: COPPER ALLOY
- 2 FINISH  
CONTACT: NICKEL ALL OVER UNDER PLATING, 3um MIN.  
GOLD PLATING AT CONTACT AREA, 0.76um MIN.  
GOLD FLASH PLATING AT LEAD AREA, 0.05~0.2um  
SOLDER PEG: NICKEL ALL OVER UNDER PLATING, 1.27um MIN  
TIN PLATING ALL OVER, 2-5um
- 3 COPLANARITY 0.08MAX.
- 4 PICKING AREA



2134758-1: AS SHOWN

THIS DRAWING IS A CONTROLLED DOCUMENT.		DWN R. WANG	04FAB2013	<b>TE Connectivity</b>	
DIMENSIONS: mm		CHK W. HE	04FAB2013		
TOLERANCES UNLESS OTHERWISE SPECIFIED: ± 0.15		APVD S. YAO	04FAB2013	NAME FLOATING BATTERY INTERCONNECTION SYSTEM PLUG ASSEMBLY 4P OFFSET TYPE	
0 PLC ± 1 PLC ± 2 PLC ± 3 PLC ± 4 PLC ± ANGLES ±3°		PRODUCT SPEC 108-78834-1		SIZE A300779	
MATERIAL 1		FINISH 2		DRAWING NO C-2134758	
		WEIGHT 0.24 g		RESTRICTED TO -	
		Customer Drawing		SCALE 4:1	
				SHEET 1 OF 3	
				REV A	

THIS DRAWING IS UNPUBLISHED.

RELEASED FOR PUBLICATION

2011

© COPYRIGHT 2011 BY -

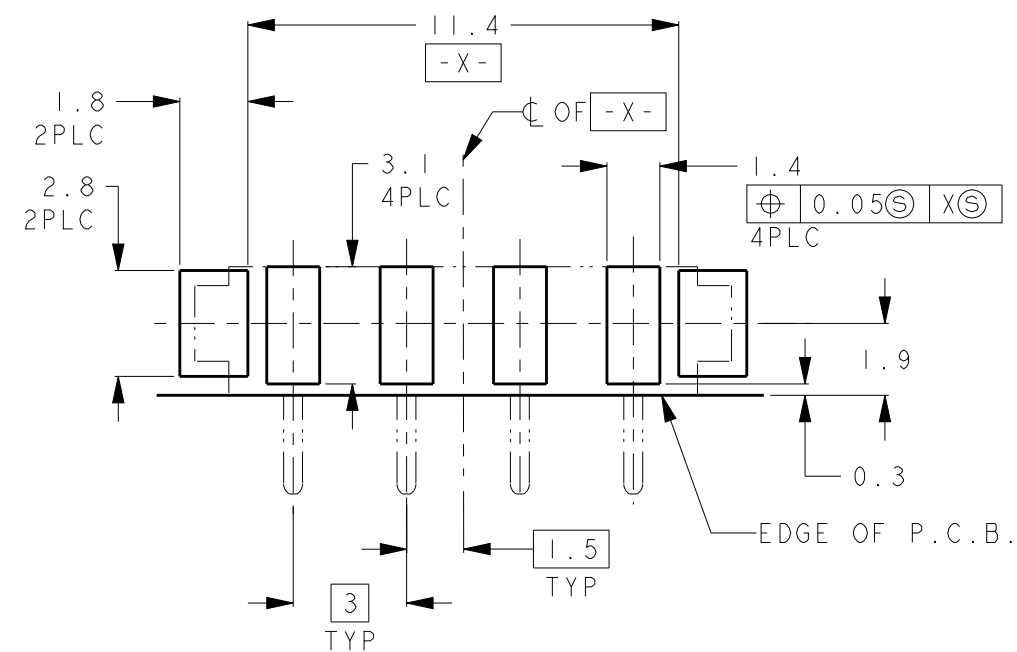
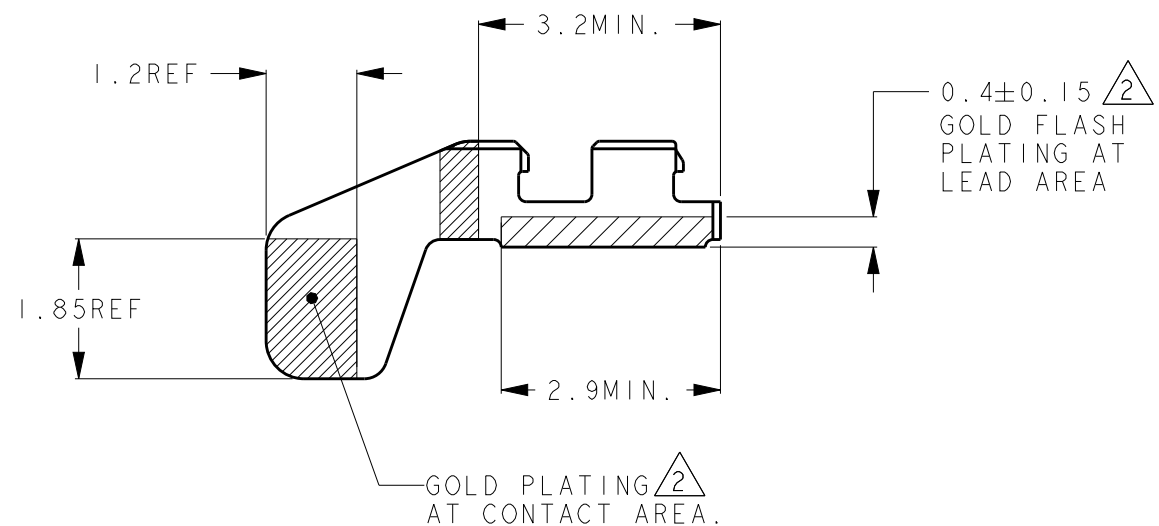
ALL RIGHTS RESERVED.

LOC  
ES

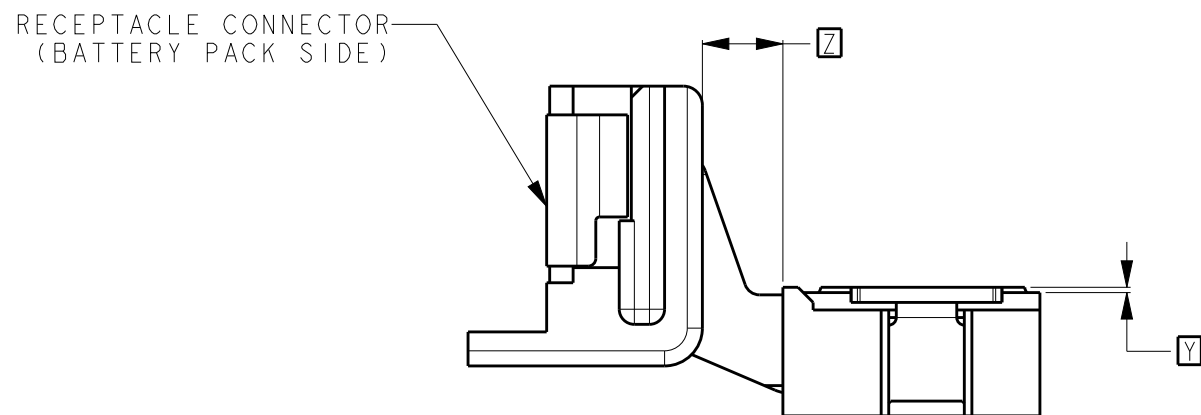
DIST  
-

REVISIONS

P	LTR	DESCRIPTION	DATE	DWN	APVD
	-	SEE SHEET 1	-	-	-



REFERENCE P.C BOARD LAYOUT  
(GENERAL TOLERANCE: ±0.05, SCALE 5:1)



SCALE 10:1

CONNECTOR POSITION  
CONTACT TE FOR GUIDELINES

THIS DRAWING IS A CONTROLLED DOCUMENT.

DIMENSIONS: mm		TOLERANCES UNLESS OTHERWISE SPECIFIED: ± 0.15	
$\emptyset$ PLC	±		
1 PLC	±		
2 PLC	±		
3 PLC	±		
4 PLC	±		
ANGLES	± 3°		
MATERIAL		FINISH	

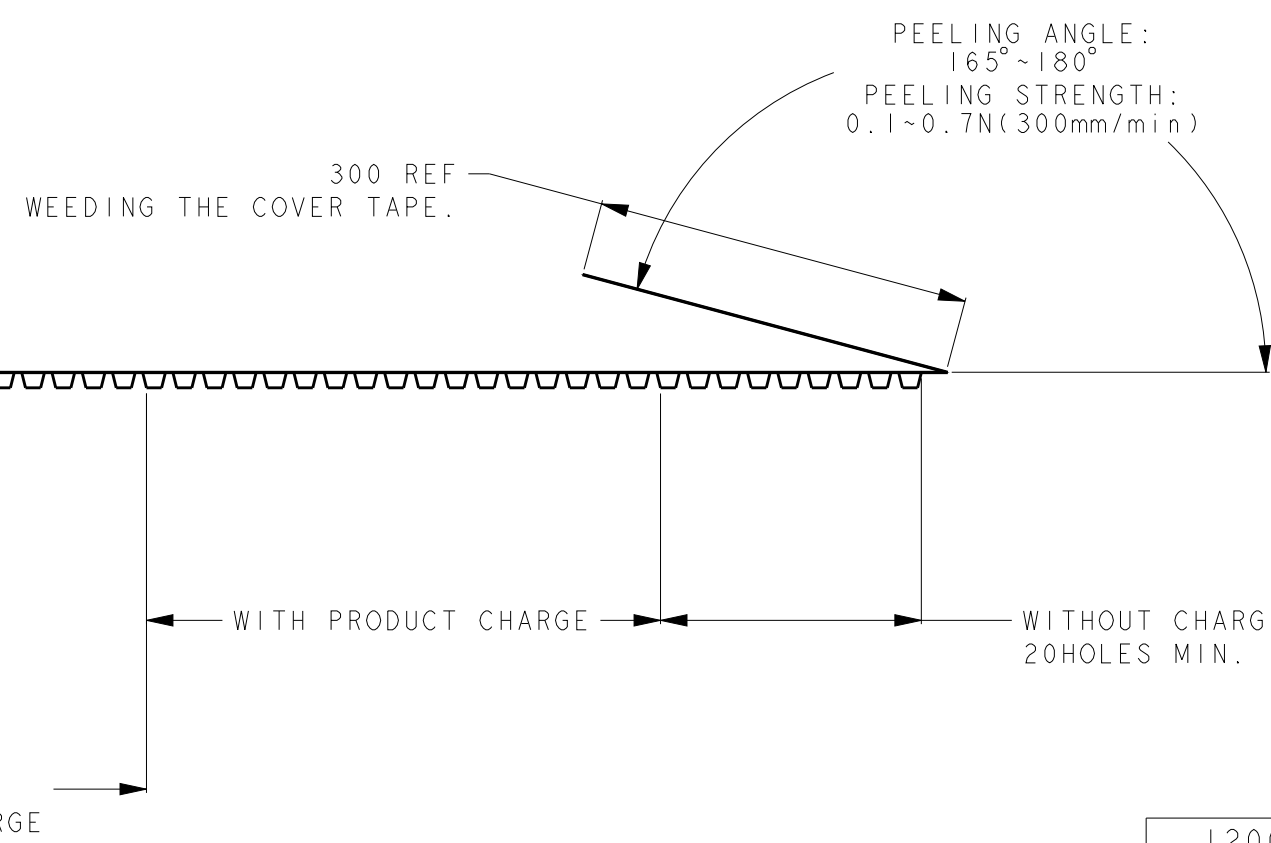
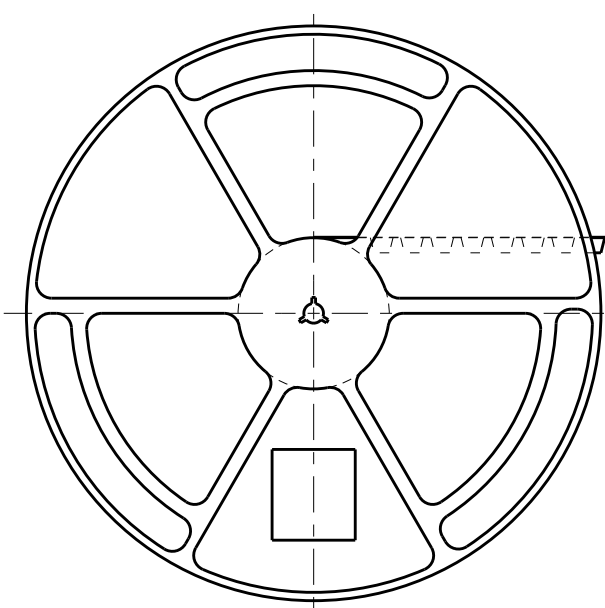
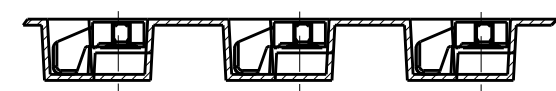
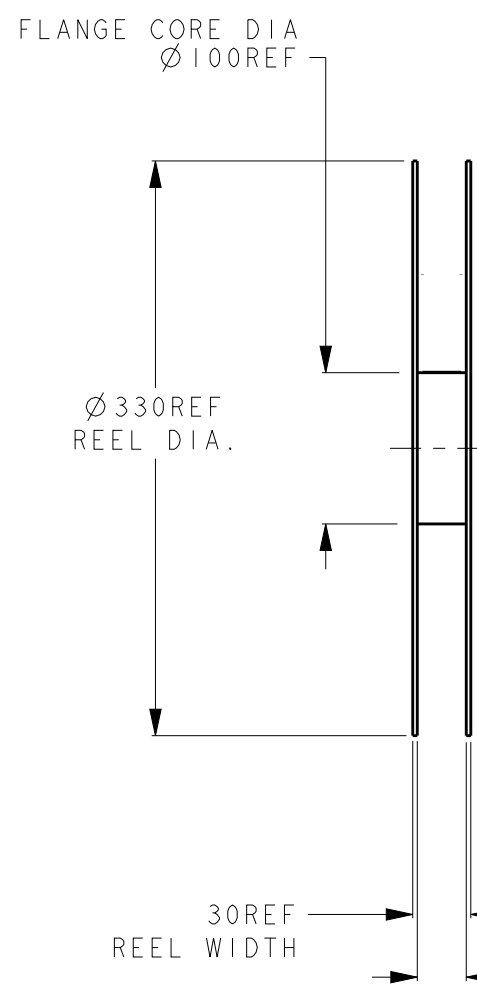
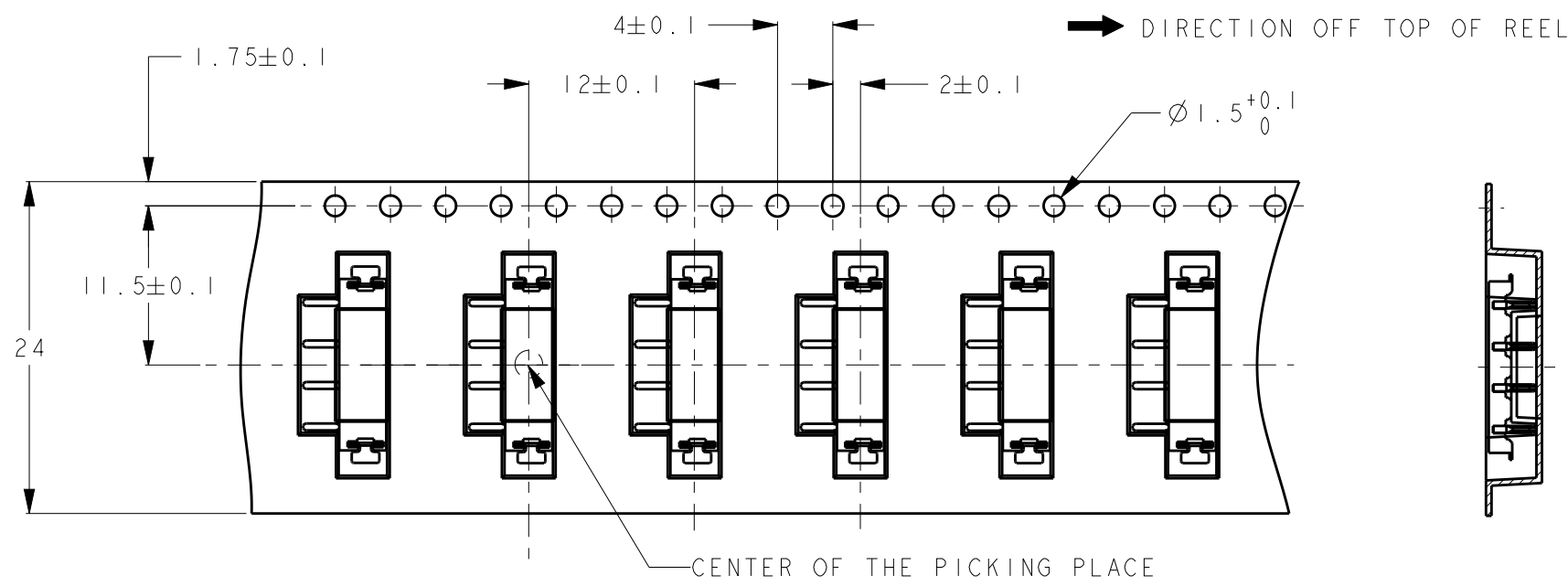
DWN
CHK
APVD
PRODUCT SPEC
APPLICATION SPEC
WEIGHT
Customer Drawing

TE Connectivity		NAME	
		FLOATING BATTERY INTERCONNECTION SYSTEM PLUG ASSEMBLY 4P OFFSET TYPE	
SIZE	CAGE CODE	DRAWING NO	RESTRICTED TO
A300779	C	2134758	-
SCALE 4:1		SHEET 2 OF 3	REV A

THIS DRAWING IS UNPUBLISHED. RELEASED FOR PUBLICATION 2011  
 © COPYRIGHT 2011 BY - ALL RIGHTS RESERVED.

LOC ES  
 DIST -

REVISIONS					
P	LTR	DESCRIPTION	DATE	DWN	APVD
-	-	SEE SHEET 1	-	-	-



1200	2134758-1
QTY/REEL	P/N

THIS DRAWING IS A CONTROLLED DOCUMENT.	
DIMENSIONS: mm	TOLERANCES UNLESS OTHERWISE SPECIFIED: ± 0.3
	0 PLC ±
	1 PLC ±
	2 PLC ±
	3 PLC ±
	4 PLC ±
	ANGLES ±3°
MATERIAL	FINISH

DWN
CHK
APVD
PRODUCT SPEC
APPLICATION SPEC
WEIGHT
Customer Drawing

<b>STE</b> TE Connectivity			
NAME FLOATING BATTERY INTERCONNECTION SYSTEM PLUG ASSEMBLY 4P OFFSET TYPE			
SIZE A300779	CAGE CODE C-2134758	DRAWING NO	RESTRICTED TO
SCALE NTS		SHEET 3 OF 3	REV A