

**MICRO SWITCH**

A DIVISION OF MINNEAPOLIS-HONEYWELL REGULATOR COMPANY  
 PRISBORO, MASSACHUSETTS

FED. MFR. CODE 91929

**ACTUATOR-SWITCH**

(M) SKETCH 29120  
 ISSUE 1

JM-5

M

DRAWING NUMBER

7

ISSUE

REPLACES

RELEASE NO. SR 9307

28 SEP 60

CHECK

28 SEP 60

CHECK

17 OCT 63

CHECK

25 NOV 92

CHECK

6 MAR 95

CHECK

7 NOV 60

CHECK

27 SEP 60

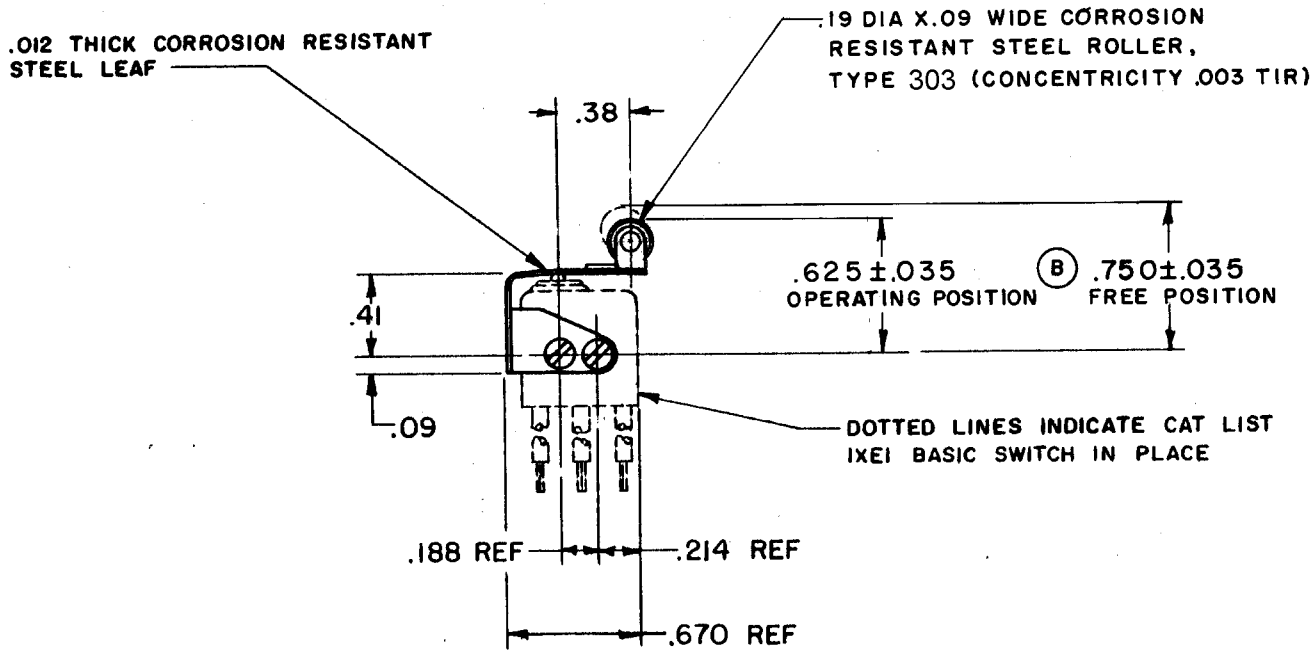
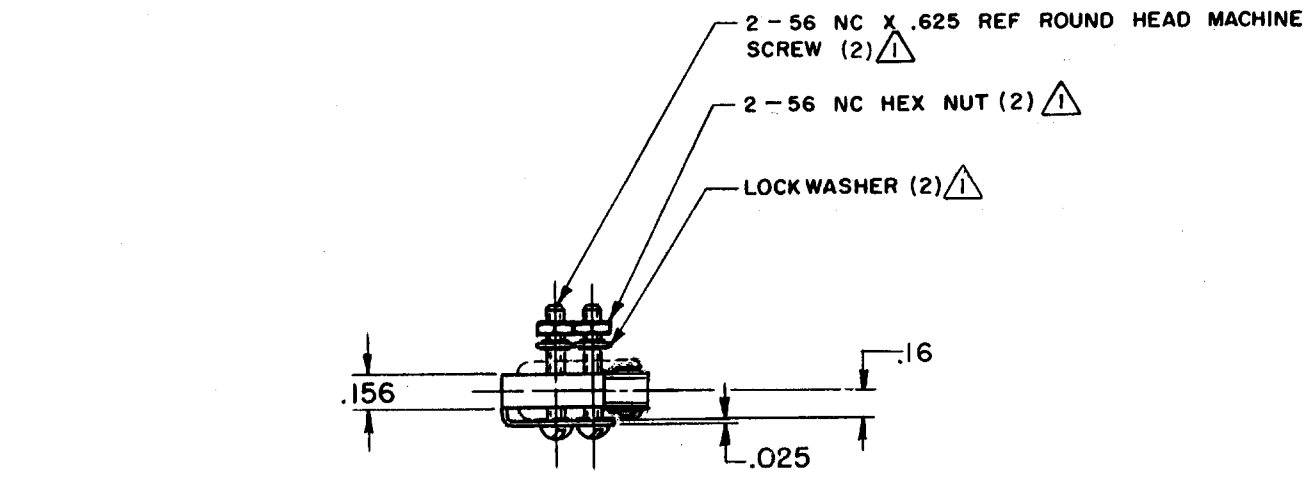
CHECK

7 NOV 60

CHECK

REVISIONS

|   |         |     |           |
|---|---------|-----|-----------|
| A | 0017844 | OHW | 26 FEB 63 |
| B | 0018559 | VDF | 17 OCT 63 |
| C | 0047771 | CJH | 17 MAY 80 |
| D | 0074078 | DLT | 6 MAR 95  |
| E | 0079303 | SPK | 14 SEP 05 |
| F | 0015428 |     |           |



NOTE -  $\triangle$  - FURNISHED UNASSEMBLED

CHECK RJ 14SEP05

THIS DRAWING COVERS A PROPRIETARY ITEM AND IS THE PROPERTY OF MICRO SWITCH, A DIVISION OF MINNEAPOLIS-HONEYWELL REGULATOR CO. THIS DRAWING IS NOT TO BE COPIED OR USED WITHOUT THE APPROVAL OF MICRO SWITCH.

**CHARACTERISTICS WITH IXE1 BASIC SWITCH INSTALLED**

OPERATING FORCE ----- 21 OZ MAX  
 RELEASE FORCE ----- (A) 3 OZ MIN  
 DIFFERENTIAL TRAVEL ----- .012 MAX  
 OVERTRAVEL ----- .009 MIN

**ELECTRICAL DATA**

CONTACT ARRANGEMENT

BREAK DISTANCE

SCALE FULL

DO NOT SCALE PRINT

UNLESS OTHERWISE SPECIFIED  
 DIMENSIONS ARE IN INCHES  
**TOLERANCES ARE:**

|             |        |            |
|-------------|--------|------------|
| ONE PLACE   | (.0)   | $\pm$ .030 |
| TWO PLACE   | (.00)  | $\pm$ .015 |
| THREE PLACE | (.000) | $\pm$ .008 |
| ANGLES      |        | $\pm$      |

WEIGHT