

4

3

2

1

THIS DRAWING IS UNPUBLISHED.

RELEASED FOR PUBLICATION

2009

© COPYRIGHT 2009

ALL RIGHTS RESERVED.

LOC  
FMDIST  
1

REVISIONS

P	LTR	DESCRIPTION	DATE	DWN	APVD
	B	EH-1312-95	02NOV1995	DK	JJ
	C	EH-0589-96	22MAY1996	JZ	JJ
	C1	ECR-11-019959	02NOV2011	GN	GB


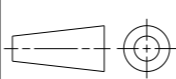

NOTES:

1 TRADEMARK PER SPEC. 115-19030-3

2 TE-IDENTIFICATION NUMBER ACC. DIN 1451  
MITTLESCHRIFT, HEIGHT 1.2

3 TE-MOLD IDENTIFICATION NUMBER.

4 MATERIAL: PBT  
COLOR : BLACK

THIS DRAWING IS A CONTROLLED DOCUMENT.		DWN J.V.LIEMPT 10FEB1992	 <b>TE Connectivity</b>		
DIMENSIONS: mm		CHK R.O.T.BERG 25FEB1992			
TOLERANCES UNLESS OTHERWISE SPECIFIED:		APVD L.V.SOEST 25FEB1992			
		PRODUCT SPEC -	NAME ADAPTER 180 DEG M24/M27 INSERT		
MATERIAL PBT		FINISH -	APPLICATION SPEC -		
		WEIGHT -	SIZE A3	CAGE CODE 00779	DRAWING NO C=100292
CUSTOMER DRAWING		SCALE 2:1	SHEET 1	OF 1	REV C1

1470-19 (3/11)

Pro/ENGINEER DRAWING