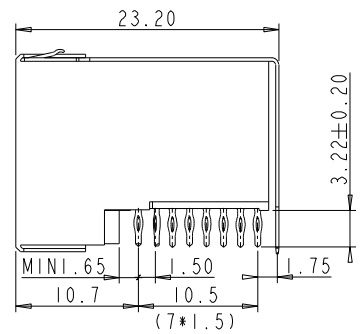
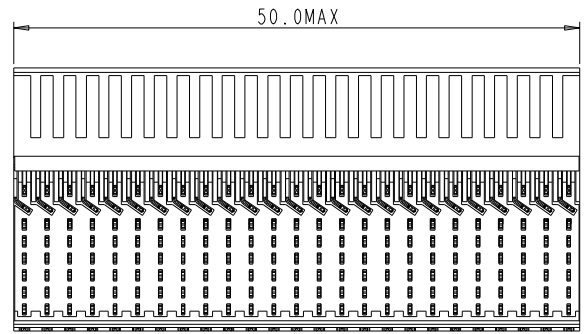
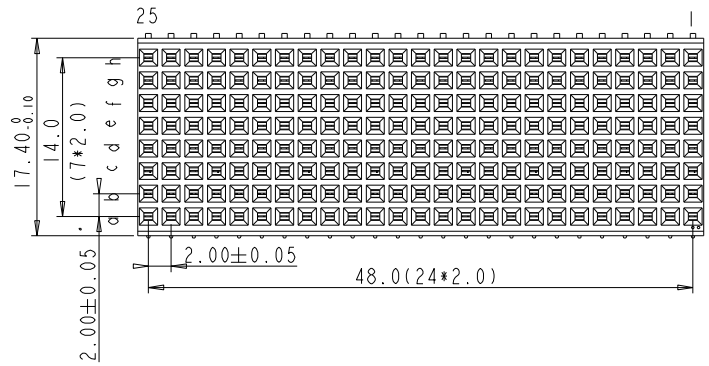


Tous droits strictement réservés. Reproduction ou communication à des tiers interdite sous quelque forme que ce soit sans autorisation écrite du propriétaire. Propriété de c FCI. Droits de reproduction FCI.

FCI

All rights strictly reserved. Reproduction or issue to third parties in any form whatever is not permitted without written authority from the proprietor. Property of FCI. Copyright FCI.



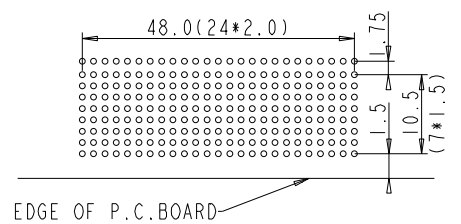
PERFORMANCE CHARACTERISTICS

- CURRENT RATING 1.5A AT 20°C (FULLY LOADED)
- 1 A AT 70°C (FULLY LOADED)
- RATED VOLTAGE : 500 V AC (CONT /CONT)
- OPERATING TEMPERATURE : -55°C TO 125°C
- CONTACT RESISTANCE 20 mΩ MAX
- INSERTION FORCE : 0.75N MAX/CONT
- EXTRACTION FORCE : 0.15N MIN/CONT
- INSULATION RESISTANCE : 10⁴ MΩ MIN

NOTES

1. " " LEAD FREE INDICATOR :LF=LEAD FREE
 " " PERFORMANCE LEVEL INDICATOR (REF DWG NO.BSC .201844.003)
2. THIS PRODUCT IS CSA APPROVED.
 THIS PRODUCT IS UL RECOGNIZED.
3. FOR RECOMMENDED PTH DIMENSIONS REFER DRAWING :BS.A.201572.001
4. THIS PRODUCT (LF) MEETS EUROPEAN UNION DIRECTIVES AND OTHER COUNTRY REGULATIONS AS DESCRIBED IN GS-22-008

LAY-OUT
P.C.B.-HOLE



rev	ecn no	dr	date
A	DG05-0322	Kason	05-09-05
B	DG06-0019	Kason	13-01-06
-	-	-	-
-	-	-	-
-	-	-	-
-	-	-	-

Material			Spec ref		
Mat code			✓	tolerance	projection
Heatreat				1DEC ±0.2 1DEC 2DEC ±0.1 2DEC ANGLES ±1° HOEKEN	MM
Plating/Finish			size A4		Scale 1.500
Dr	Kason Luo	05-09-05	Product family MILLIPACS		ECN
Eng	Colins Lu	05-09-05	Model Name		REL Level
Chr	Victor Lin	05-09-05	Model Revision		
Appr	Joseph Hsia	05-09-05	title		Rev. B
			MPACS 8+2R RA RCP CONN TYPE E/ UPPER SHIELDED		dwg no BSC201420005
Pro/E file	catalog	HM208PE8LOF	CUSTOMER DRAWING		sheet 1 of 1