

Rigid panel mounting socket retained in place by a nut, which accepts 4mm diameter plugs. Is suitable for panels up to 13,5mm thick. Connection is via a solder tag, although a solder bucket version is available.

MATERIAL SINGLE : Polypropylene

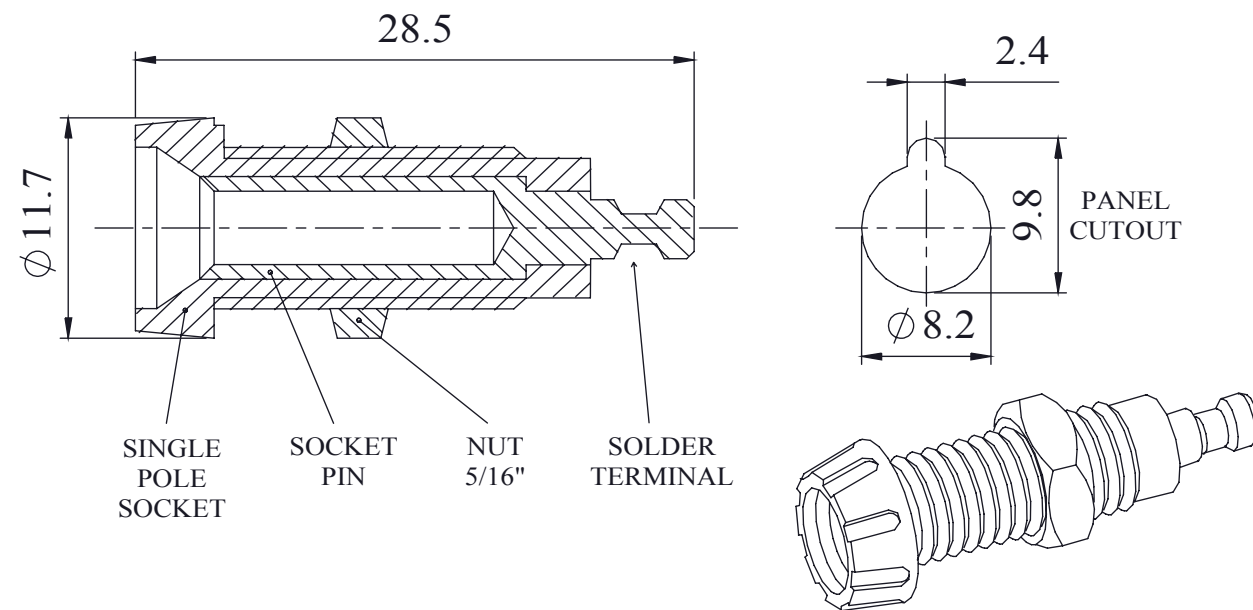
POLE SOCKET SOCKET PIN : Brass, BS2874 CZ121M silver plated

NUT : Brass, BS2874 nickel plated


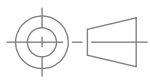
Rating -
 Rated Current : 10A.
 Rated Voltage : 50V.

Nominal Working Voltage : 250 Volts R.M.S.
 Absolute Max. Rating : 1500 Volts D.C.
 Contact Resistance : less than 10 milli-ohms
 Torque Max : 0.4Nm

Dimensions



COLOUR	ORDER CODE
BLACK	551-0100
BLUE	551-0200
BROWN	551-0300
GREEN	551-0400
RED	551-0500
WHITE	551-0600
YELLOW	551-0700

<p>PROPRIETARY AND CONFIDENTIAL THE INFORMATION CONTAINED IN THIS DRAWING IS THE SOLE PROPERTY OF DEM MANUFACTURING. ANY REPRODUCTION IN PART OR AS A WHOLE WITHOUT THE WRITTEN PERMISSION OF DEM MANUFACTURING IS PROHIBITED.</p> 	Drawn by SPB 21/05/09	UNLESS OTHERWISE SPECIFIED: DIMENSIONS ARE IN MILLIMETRES LINEAR TOLERANCES: NO DECIMAL PLACES $\pm 0.5\text{mm}$ 1 DECIMAL PLACE $\pm 0.1\text{mm}$ 2 DECIMAL PLACES $\pm 0.03\text{mm}$ ANGULAR TOLERANCES: $\pm 1^\circ$ MATERIAL:	A3 TITLE: GENERAL SPECIFICATION FOR 551 SERIES
	FINISH: . . . THIRD ANGLE PROJECTION  DEBUR AND BREAK SHARP EDGES IF IN DOUBT ASK DO NOT SCALE DRAWING		
TEL: +44 1724 273200 E-MAIL: SALES@DEM-UK.COM WEBSITE: WWW.DEM-UK.COM	WEIGHT:	SCALE: 1:1	SHEET 1 OF 1 05 ISSUE