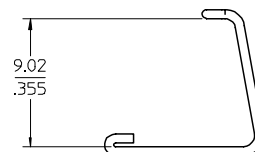
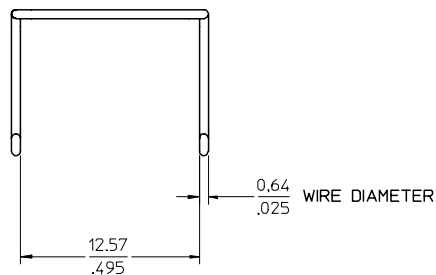
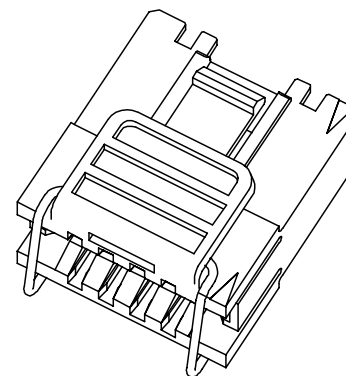
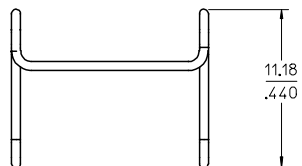


NOTES:

- 1) MATERIAL: .025 DIAMETER STAINLESS STEEL.
- 2) SPRING CLIP TO BE USED WITH 70013-**** INTERIM CLIP CIRCUIT SIZES 8-50.



EC NO: UCP2004-0539 DRWN: DMORGAN 2004/03/22 CHKD: BBARKER 2004/03/22 APPR: SMILLER 2004/04/01	DESCRIPTION REV	QUALITY SYMBOLS	GENERAL TOLERANCES (UNLESS SPECIFIED)		SCALE	DESIGN UNITS	THIRD ANGLE PROJECTION	REVISE ON CAD ONLY		
		▼ - 0 □ - 0		mm	INCH	4:1	INCH	DIMENSION STYLE MM/IN	TITLE	
			4 PLACES	± ---	± ---				SPRING CLIP FOR INTERIM CLIPS CIRCUIT SIZES 8-50.	
			3 PLACES	± ---	± .010				MOLEX INCORPORATED	
		2 PLACES	± 0.25	± .025	DRAWN BY	DATE	MATERIAL NO.	DOCUMENT NO.	SHEET NO.	
		1 PLACE	± .64	± ---	DMORGAN	03/09/17	71809-0001	SD-71809-001	1 OF 1	
DRAFT WHERE APPLICABLE			ANGULAR ±1/2°		CHECKED BY	DATE	THIS DRAWING CONTAINS INFORMATION THAT IS PROPRIETARY TO MOLEX INCORPORATED AND SHOULD NOT BE USED WITHOUT WRITTEN PERMISSION			
MUST REMAIN WITHIN DIMENSIONS					BBARKER	03/09/17				