

| LOC | DIST | REVISIONS |                       |           |     |      |
|-----|------|-----------|-----------------------|-----------|-----|------|
|     |      | REV       | DESCRIPTION           | DATE      | DWN | APVD |
|     |      | B         | REV PER ECO-08-032072 | 15JAN2009 | CR  | PD   |
|     |      | C         | REV PER ECO-10-019210 | 04NOV2010 | RG  | MS   |

1. PART NUMBER CHANGES AND OR DESIGN CHANGES AFFECTING ITEM INTERCHANGEABILITY REQUIRE PRIOR TYCO ELECTRONICS APPROVAL AND AUTHORIZATION BY REVISION TO THIS DRAWING.

2. MATERIALS:  
 INSULATORS: THERMOPLASTIC, GLASS REINFORCED  
 UL94V-0 FLAMMABILITY RATED.  
 CONTACTS: COPPER ALLOY

3. FINISHES:  
 CONTACT PLATING: SELECTIVE GOLD: 0.76µm MIN THK  
 OVER NICKEL: 1.27µm MIN THK  
 TERMINALS: TIN: 1.78µm THK  
 OVER NICKEL: 1.27µm MIN THK

4. CONNECTOR ACCEPTS 1.57±.13 THK PCB.

5. KEEP OUT AREA FOR COMPONENTS ONLY.

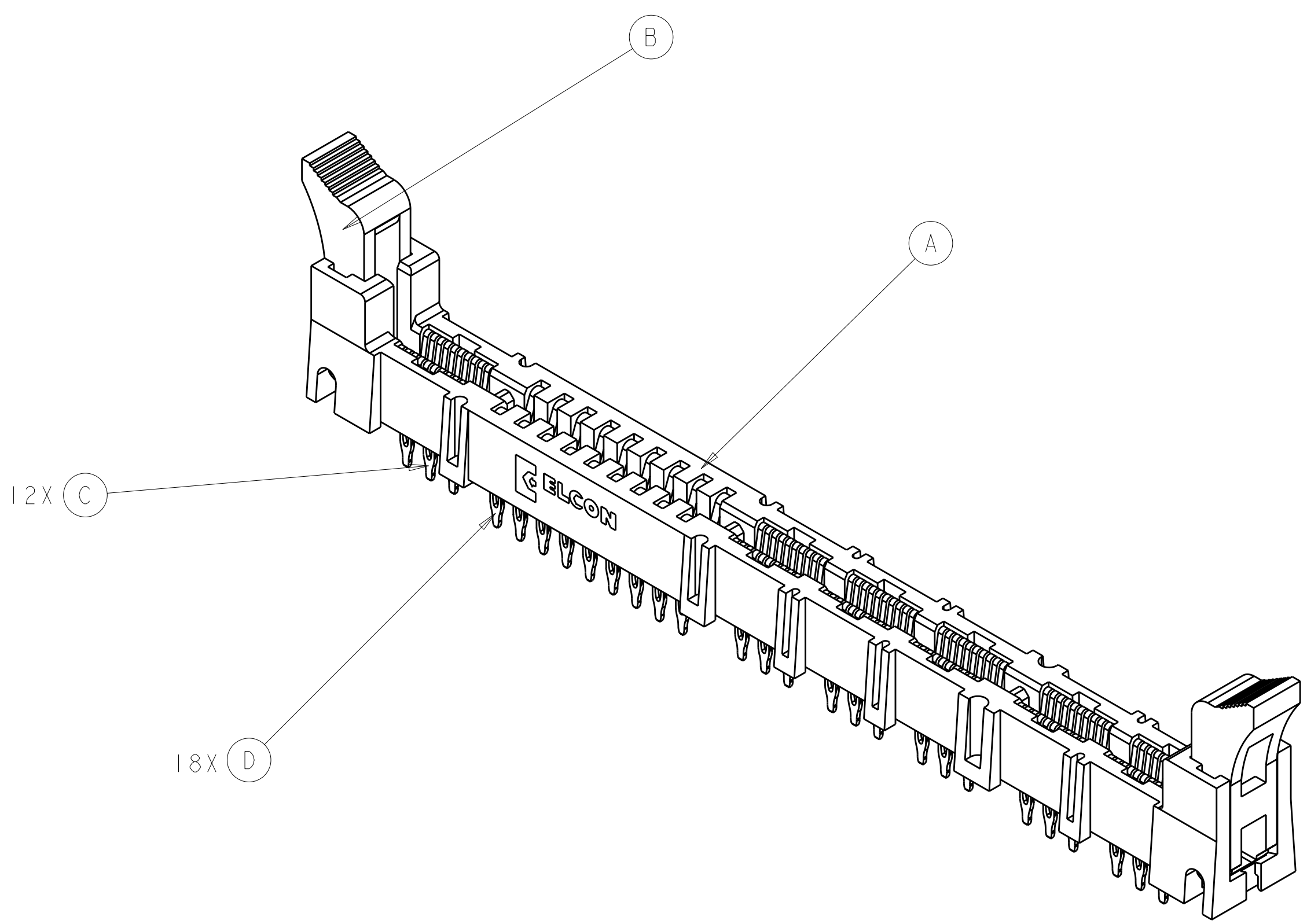
6. RECOMMENDED PRINTED CIRCUIT HOLE  
 FINISHED HOLE: Ø1.02±.08  
 DRILLED HOLE: Ø1.15±.013  
 COPPER PLATE: .025 MINIMUM (PER SURFACE)  
 TIN PLATE: .008 MINIMUM (PER SURFACE)

7. FEATURE REQUIRED FOR USE WITH LATCH.

8. CAUTION: LATCHES ARE INTENDED FOR RETENTION OF PC BOARD TO CONNECTOR. DO NOT ATTEMPT TO FULLY EJECT PC BOARD FROM CONNECTOR WHILE DISENGAGING LATCHES. DAMAGE TO LATCHES AND OR CONNECTOR MAY OCCUR.

9. RECOMMENDED GOLD FINGER LENGTH FOR RELIABLE CONTACT.

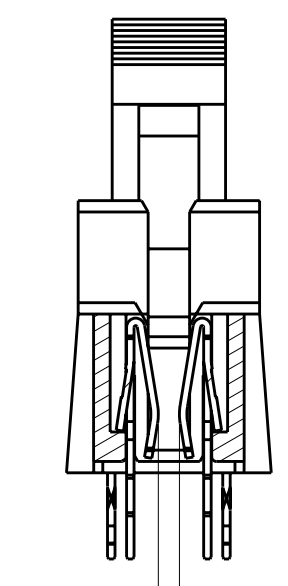
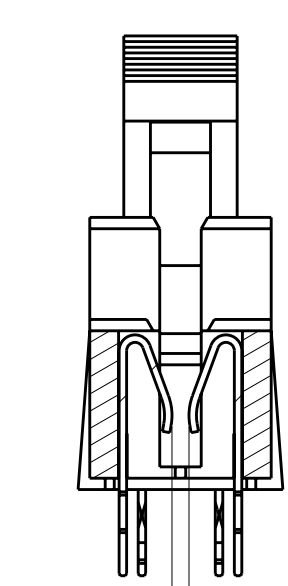
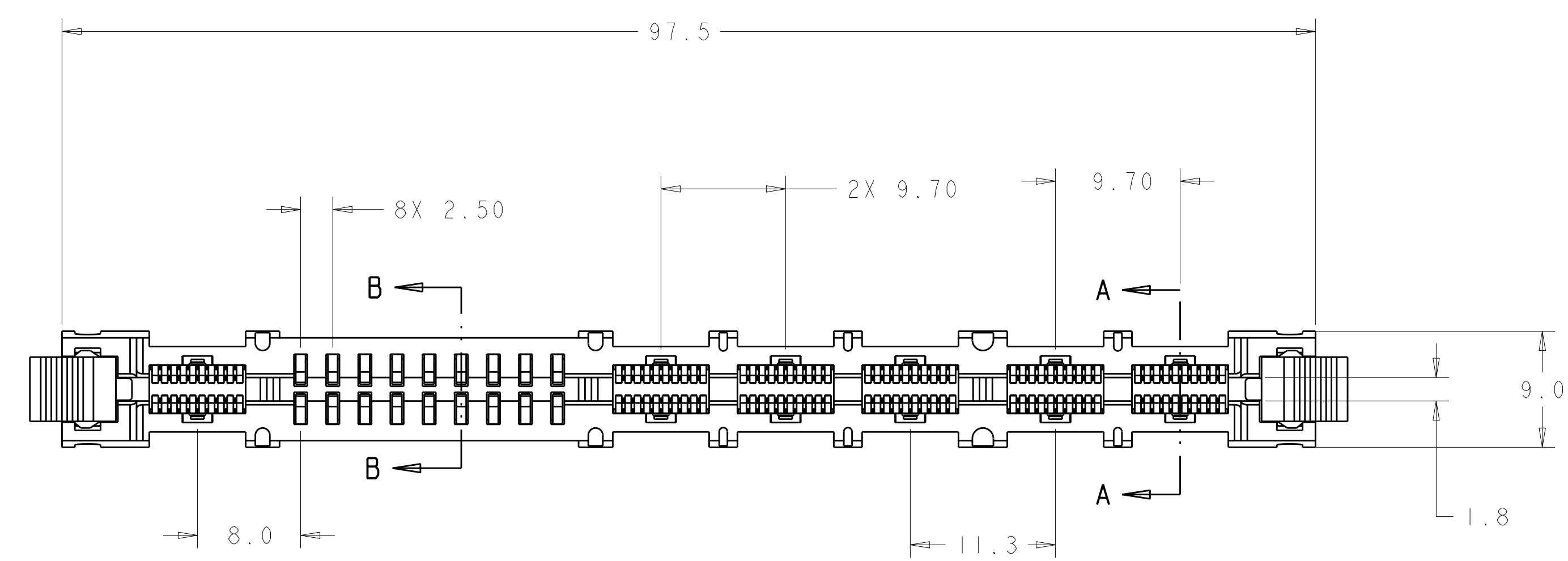
10. ITEMS PROVIDED TO THIS SPECIFICATION TO BE PERMANENTLY IDENTIFIED PER THE FOLLOWING IDENTIFIER:



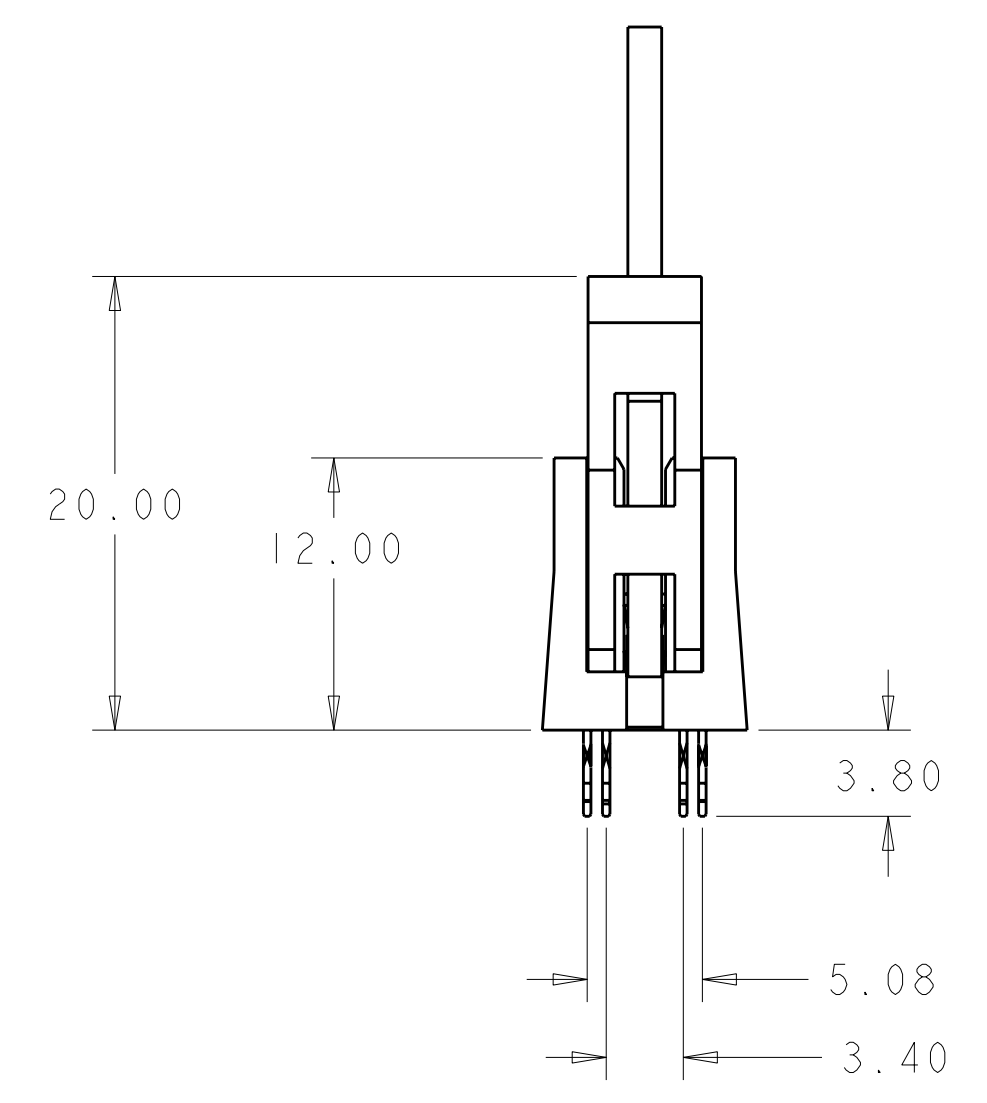
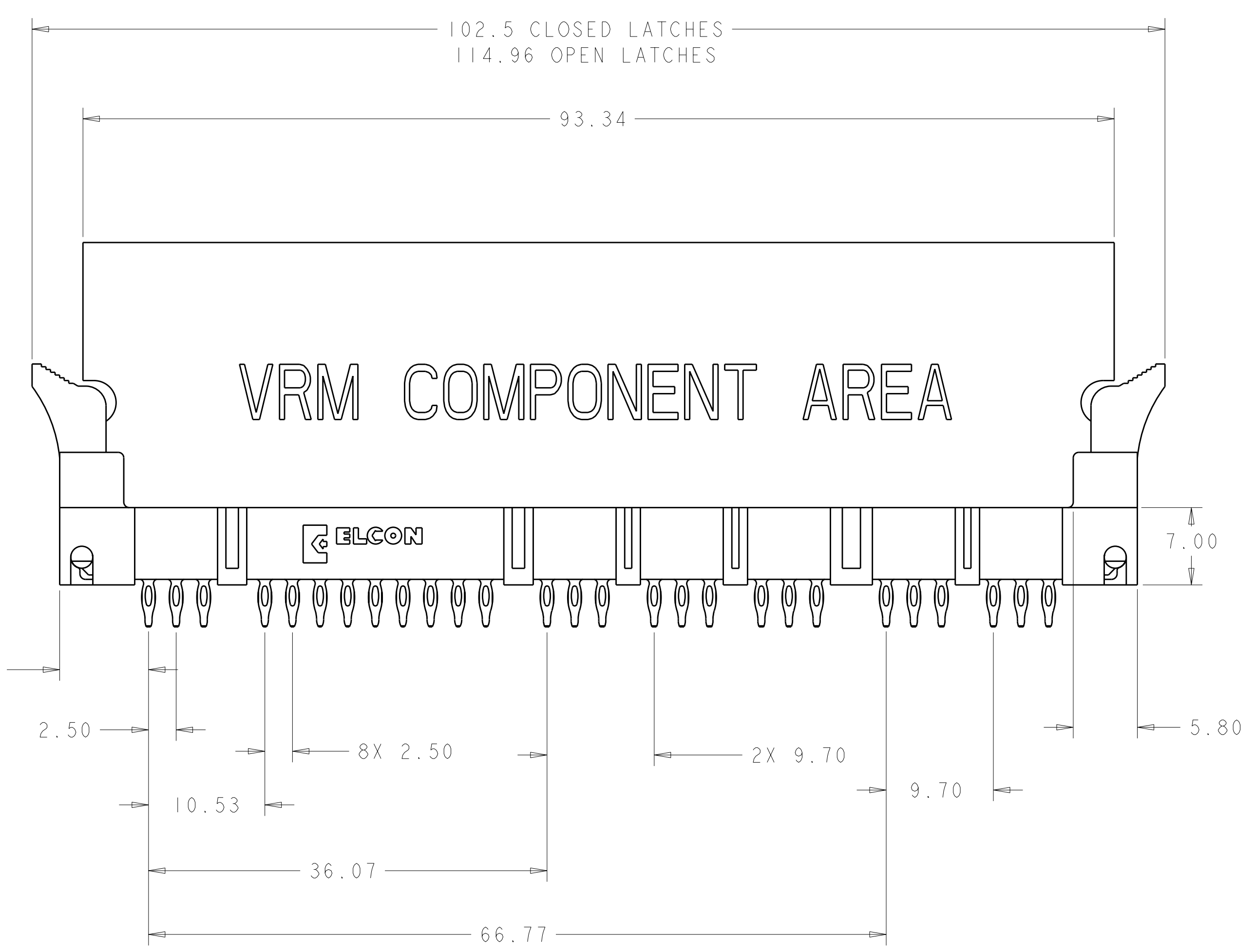
| ITEM | QTY | PART NO.  | DESCRIPTION                       | ITEM |
|------|-----|-----------|-----------------------------------|------|
| 18   |     | 1651808-2 | CONTACT, SIGNAL                   | D    |
| 12   |     | 1651807-2 | CONTACT, POWER                    | C    |
| 2    |     | 1651724-1 | MINI-CROWNEDGE LATCH              | B    |
| 1    |     | 1651723-1 | HSG, SKT, MC-P6S9, MINI-CROWNEDGE | A    |
| -1   |     |           | PART NO. DESCRIPTION              | ITEM |

|                    |  |  |  |   |  |  |  |
|--------------------|--|--|--|---|--|--|--|
| DIMENSIONS: mm<br> |  | TOLERANCES UNLESS OTHERWISE SPECIFIED:<br>9 PLC ±.5<br>1 PLC ±.5<br>5 PLC ±.25<br>4 PLC ±.<br>ANGLES ±.5<br>FINISH -/3 |  | DWN: C. ROHLER 15JAN2009<br>CHK: P. DAMATO 15JAN2009<br>APVD: M. PERCHERKE 15JAN2009                    |  | Tyco Electronics<br>Harrisburg, PA 17105-3608      |  |
| MATERIAL:          |  | WEIGHT: -  |  | NAME: TOP ASSEM MC-P6S9, SOCKET CONNECTOR<br>MINI CROWN EDGE, W/LATCHES, COMPLIANT<br>PN 283-0172-04003 |  | SIZE: A   CAGE CODE: 00779   DRAWING NO: C=1766436 |  |
| CUSTOMER DRAWING   |  |  |  | SCALE: 1:1  |  | SHEET 1 OF 4 REV C                                 |  |

| LOC |     | DIST        |      | REVISIONS |      |  |  |
|-----|-----|-------------|------|-----------|------|--|--|
| P   | LTB | DESCRIPTION | DATE | DWN       | APVD |  |  |
| -   | -   | SEE SHEET 1 | -    | -         | -    |  |  |



0.75 ± 0.10  
 0.93<sup>+0.08</sup><sub>-0.24</sub>



|   |  |   |   |
|---|--|---|---|
| <small>THIS DRAWING IS UNPUBLISHED. RELEASED FOR PUBLICATION. THIS IS SUBJECT TO CHANGE WITHOUT NOTICE AND WITHOUT LIABILITY. DIMENSIONS ARE IN MILLIMETERS UNLESS OTHERWISE SPECIFIED.</small> |  | DWN: C. ROHLER 15JAN2009<br>CHK: P. DAMATO 15JAN2009<br>APVD: M. PERCHERKE 15JAN2009  | Tyco Electronics<br>Harrisburg, PA 17105-3608 |
| DIMENSIONS:<br>mm<br>   | TOLERANCES UNLESS OTHERWISE SPECIFIED:<br>0 PLC ±.5<br>1 PLC ±.5<br>2 PLC ±.25<br>3 PLC ±.5<br>4 PLC ±.5<br>ANGLES ±.5<br>FINISH | NAME: TOP ASSEM MC-P6S9, SOCKET CONNECTOR<br>PRODUCT SPEC: MINI CROWN EDGE, W/LATCHES, COMPLIANT<br>APPLICATION SPEC: PN 283-0172-04003<br>SIZE: A100779<br>CAGE CODE: C=1766436<br>DRAWING NO: | RESTRICTED TO:                                |
| MATERIAL:   |  | WEIGHT:   |   |
| CUSTOMER DRAWING  |  | SCALE: 1:1  | SHEET 2 OF 4 REV C                            |



