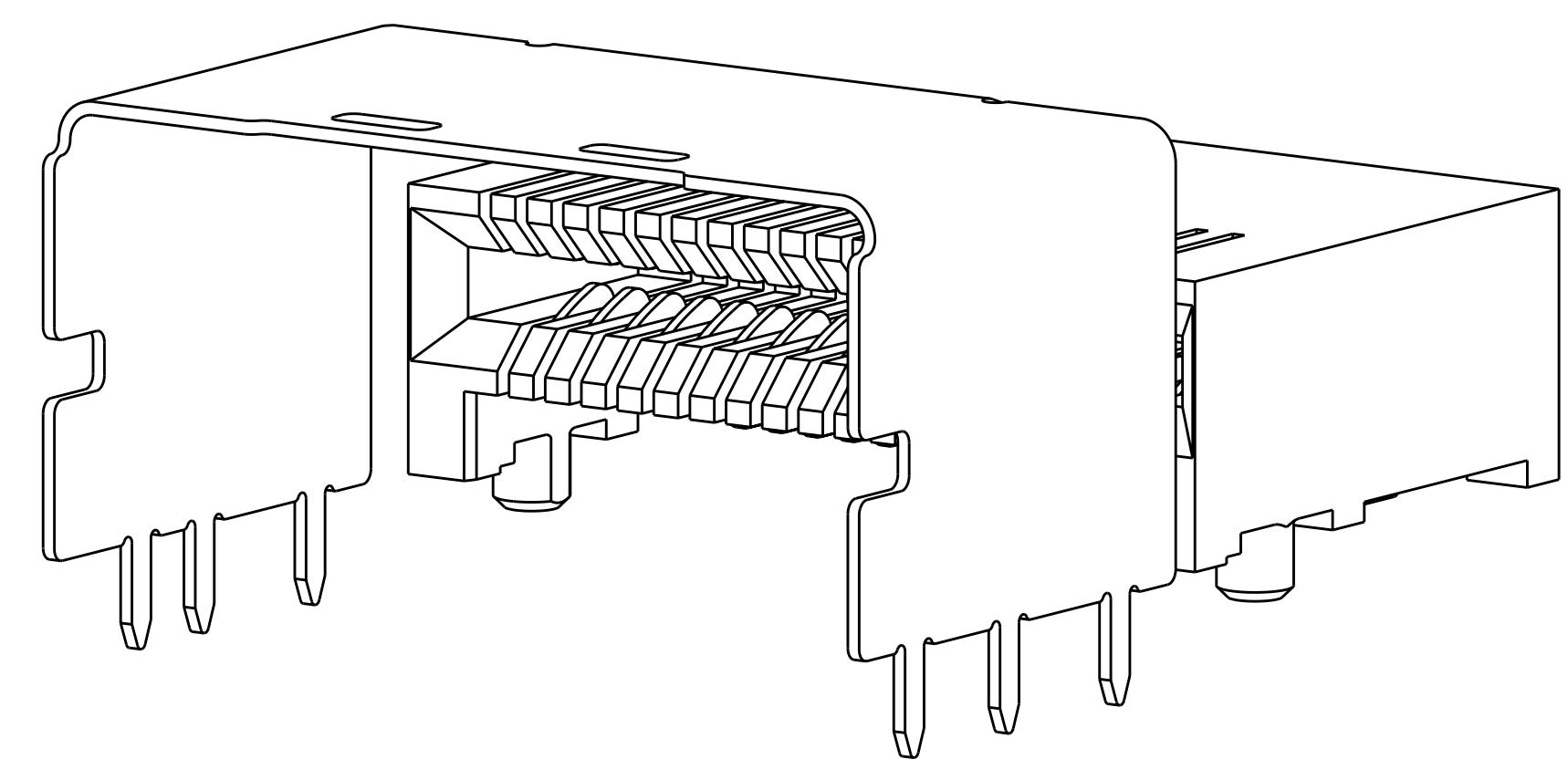
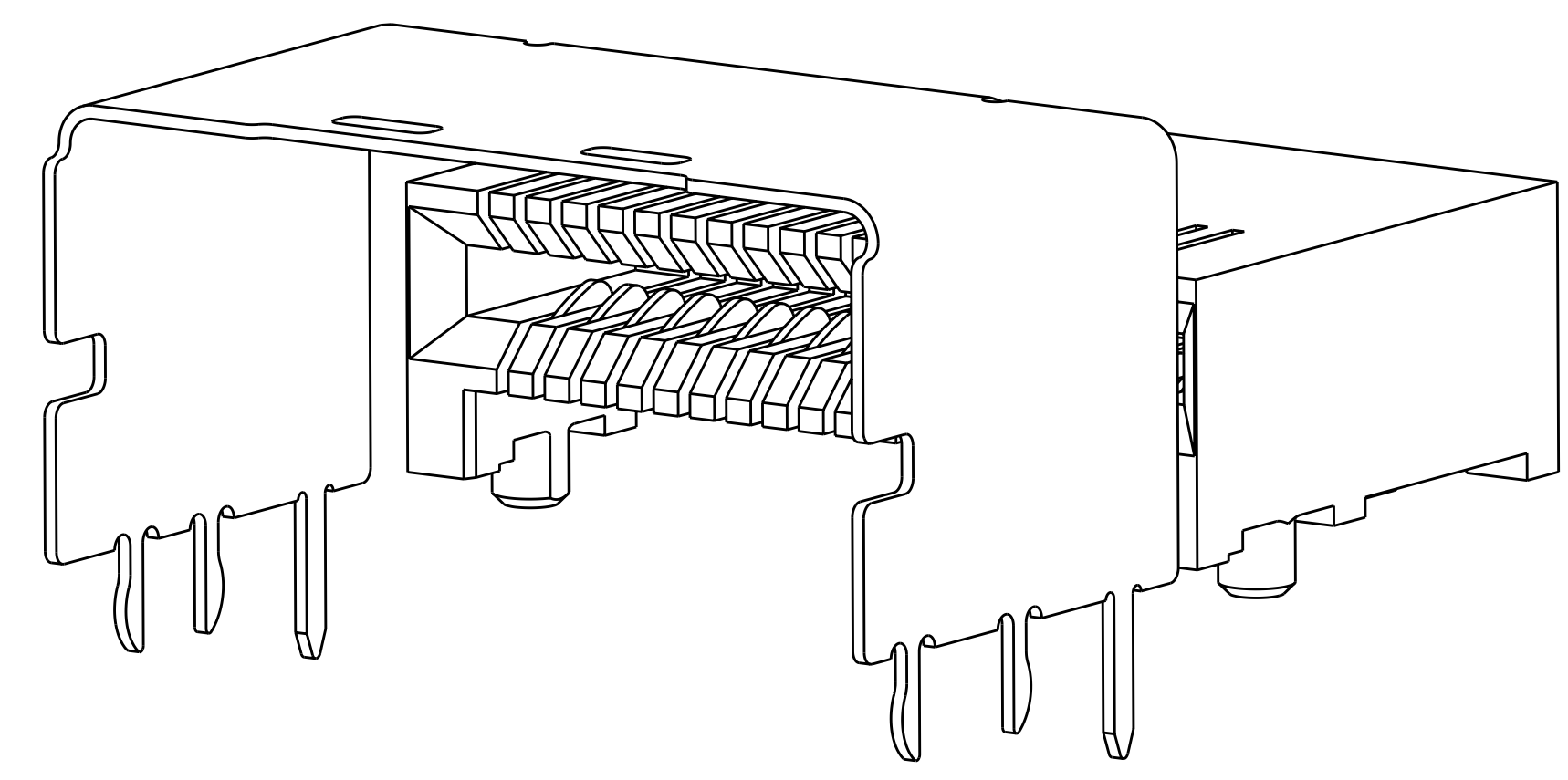


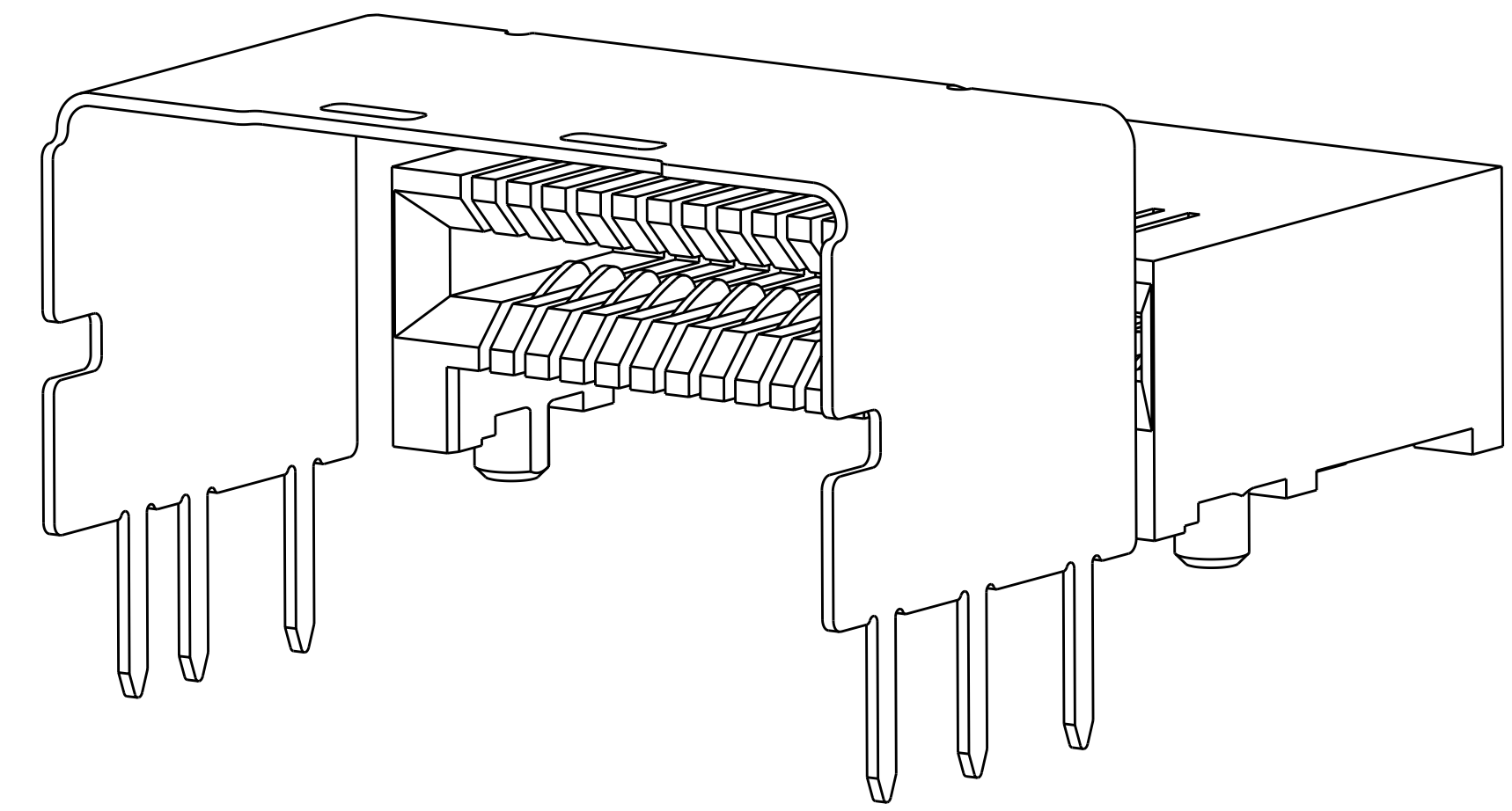
LOC	DIST	REVISIONS			
GP	00	REV	DATE	BY	APPD
		B1	08OCT2009	CR	DG
		B2	02AUG2010	JY	SY



1888861-2 AND 1888861-9
 SHOWN WITHOUT PICK AND PLACE DEVICE



1888861-4 AND 1-1888861-0
 SHOWN WITHOUT PICK AND PLACE DEVICE



1888861-8 AND 1-1888861-2
 SHOWN WITHOUT PICK AND PLACE DEVICE

△ MATERIAL: LCP, BLACK.

△ MATERIAL: PHOSPHOR BRONZE PER ASTM B 103.

△ FINISH: 0.76um MIN GOLD PLATE PER ASTM B 488, APPLIES TO INTERFACE AREA AND 2.03um MIN TIN PLATE SOLDER TAILS, ALL OVER 3.81um MIN NICKEL PLATE PER QQ-N-290.

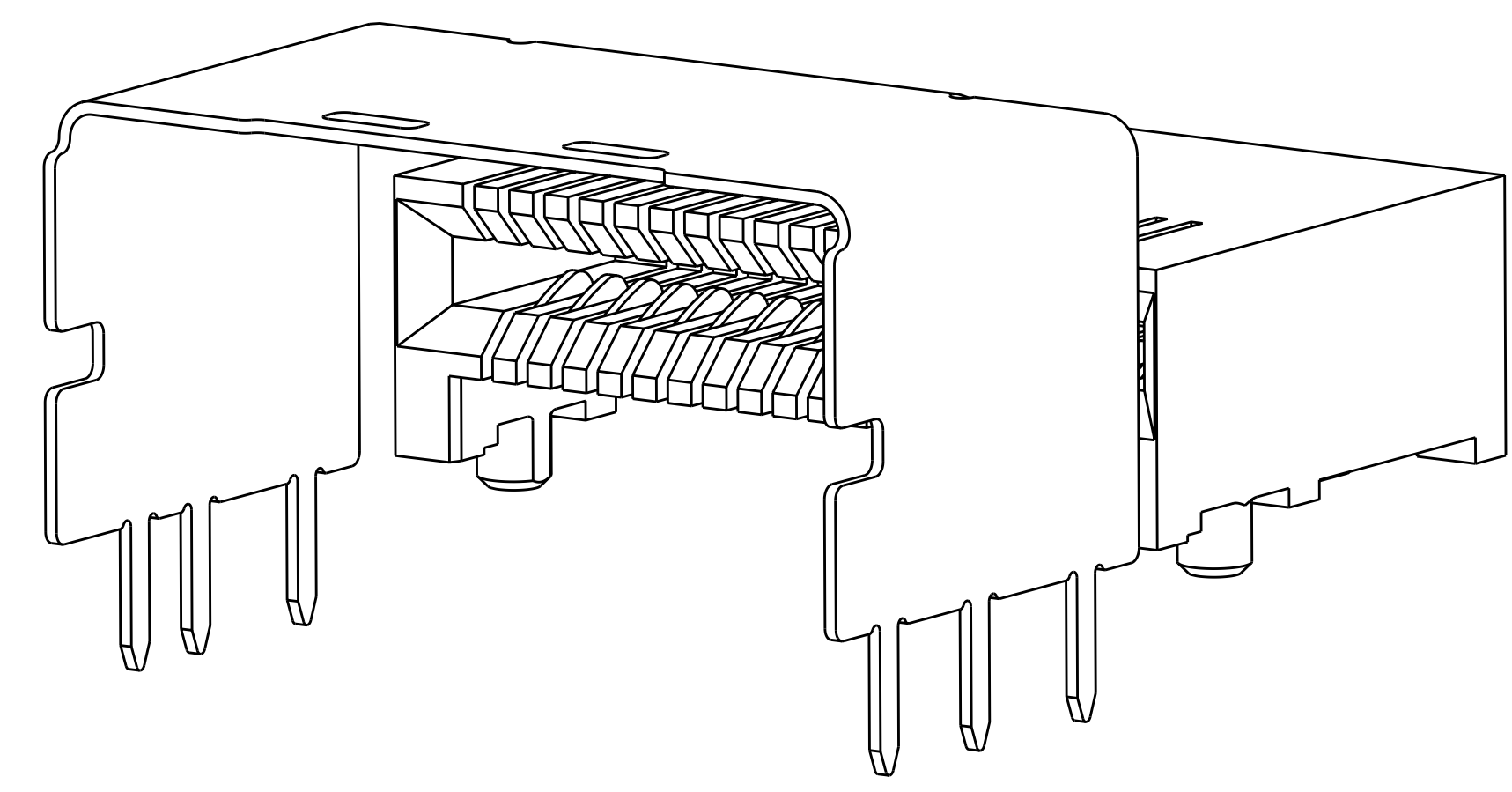
△ MATERIAL: NICKEL-SILVER PER ASTM B 122.

△ DATUM AND BASIC DIMENSION ESTABLISHED BY CUSTOMER.

6. REFER TO CUSTOMER DRAWING 1761987 FOR CONNECTOR DETAILS.

7. PACKAGED IN TAPE AND REEL PER EIA-481.

△ FINISH: 0.38um MIN GOLD PLATE PER ASTM B 488, APPLIES TO INTERFACE AREA AND 2.03um MIN TIN PLATE SOLDER TAILS, ALL OVER 3.81um MIN NICKEL PLATE PER QQ-N-290.

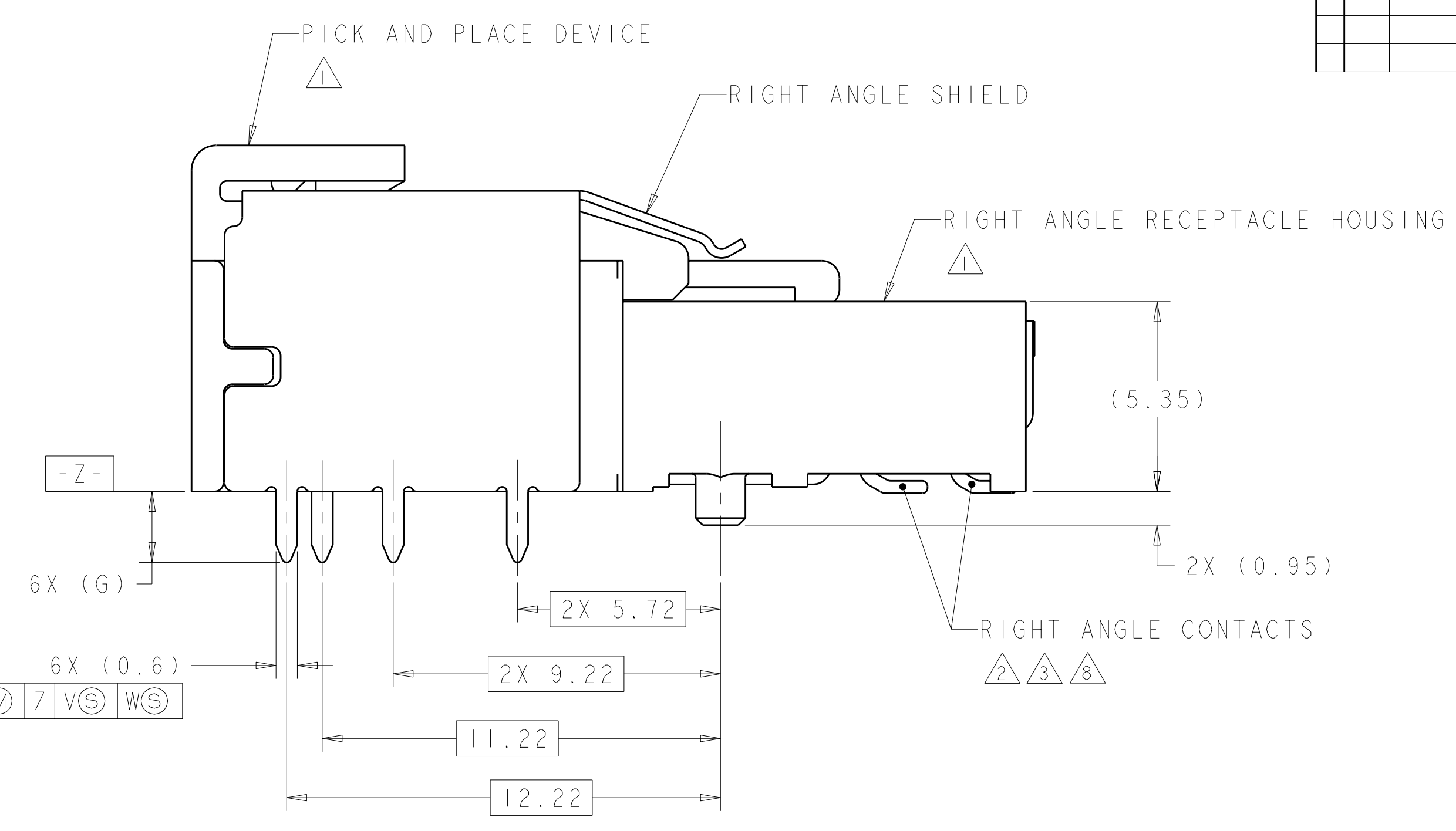
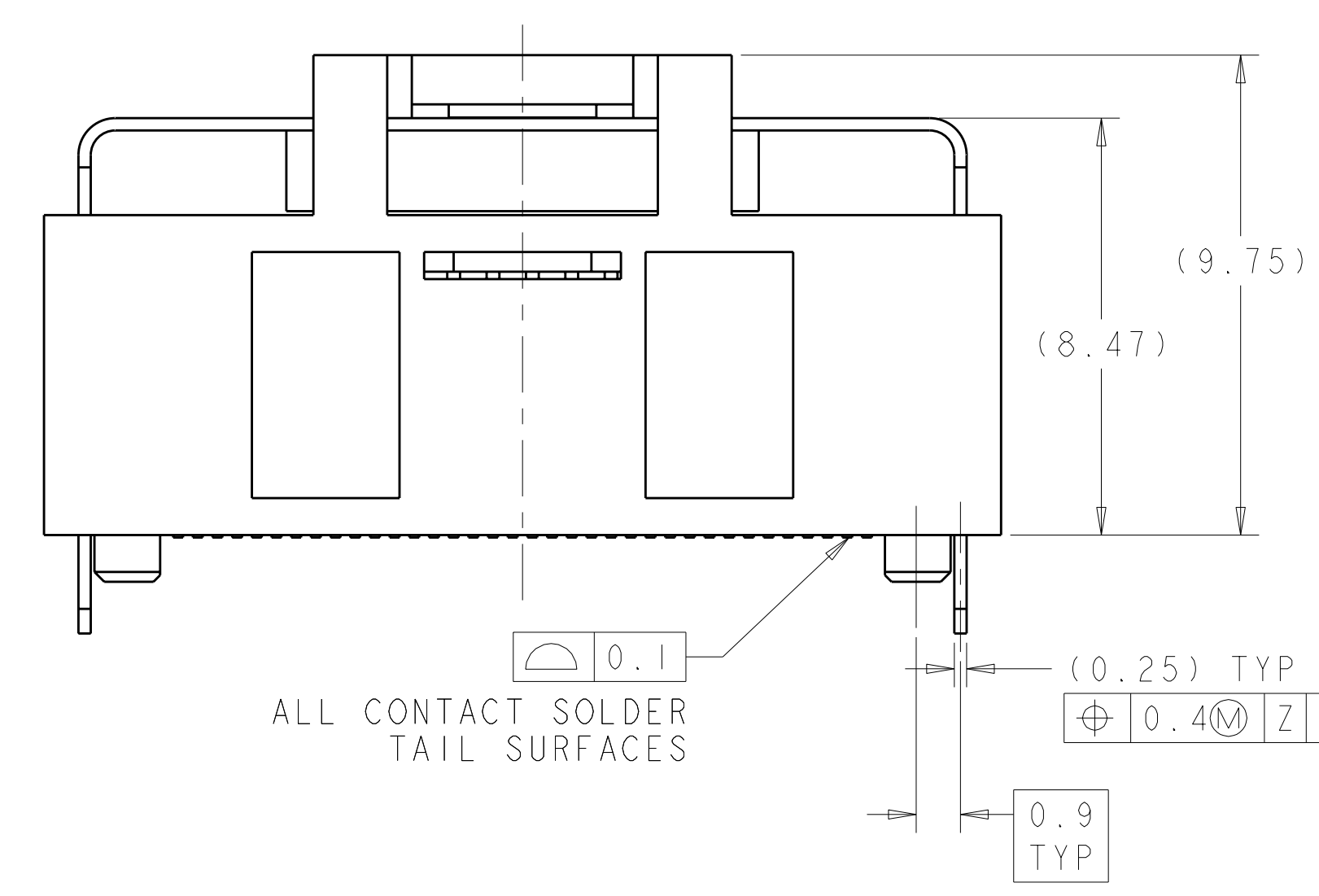


1888861-6 AND 1-1888861-1
 SHOWN WITHOUT PICK AND PLACE DEVICE

FINISH	REMARKS	G	E	D	C	B	A	POSN	PART NUMBER
△	THRU HOLE	3.5	17.8	16	16	36	18.05	36	1-1888861-2
	PRESS FIT	-	17.8	16	16	36	18.05	36	1-1888861-0
	THRU HOLE	2	17.8	16	16	36	18.05	36	1888861-9
△	THRU HOLE	3.5	17.8	16	16	36	18.05	36	1888861-8
	PRESS FIT	-	17.8	16	16	36	18.05	36	1888861-4
	THRU HOLE	2	17.8	16	16	36	18.05	36	1888861-2

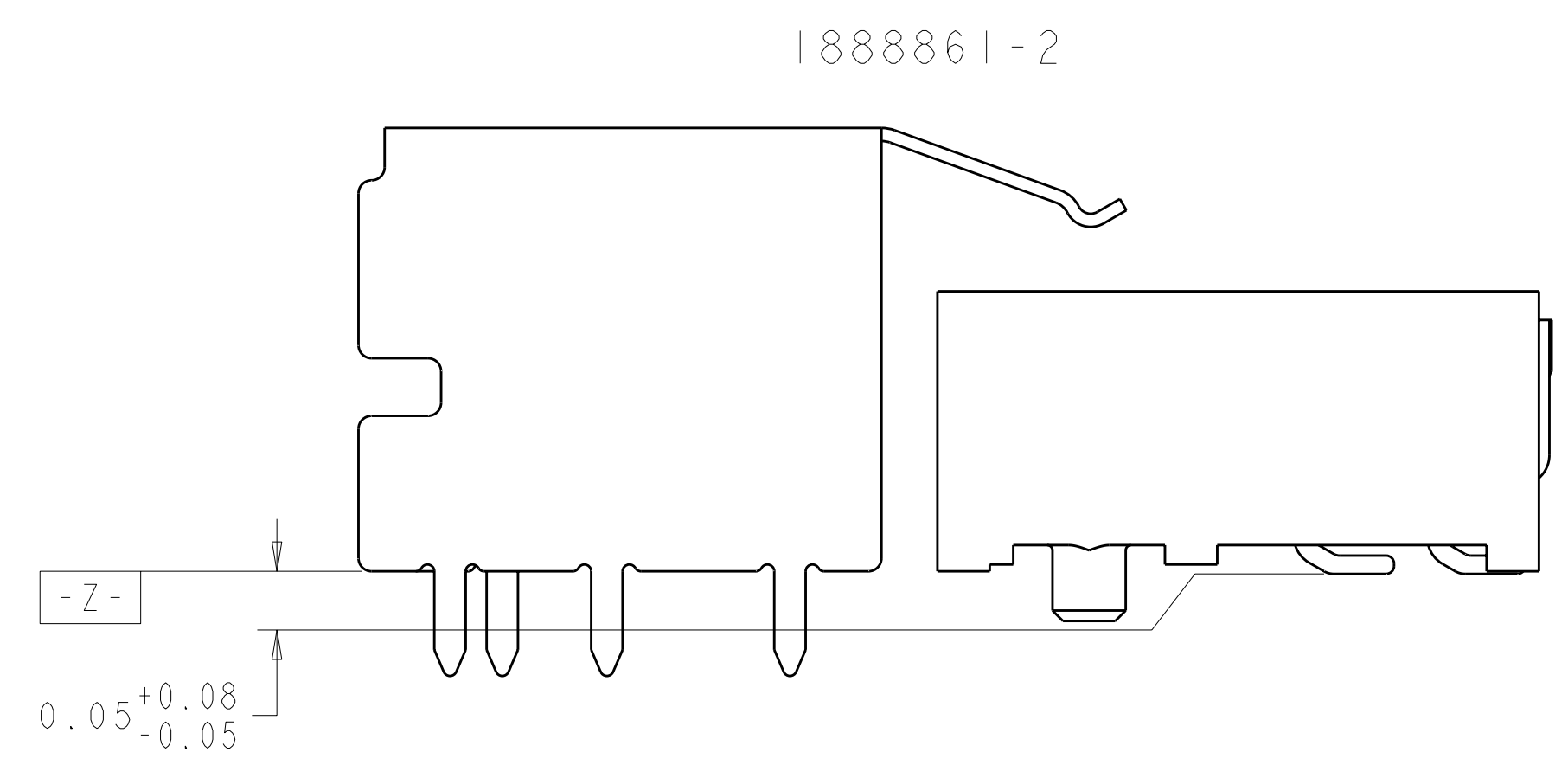
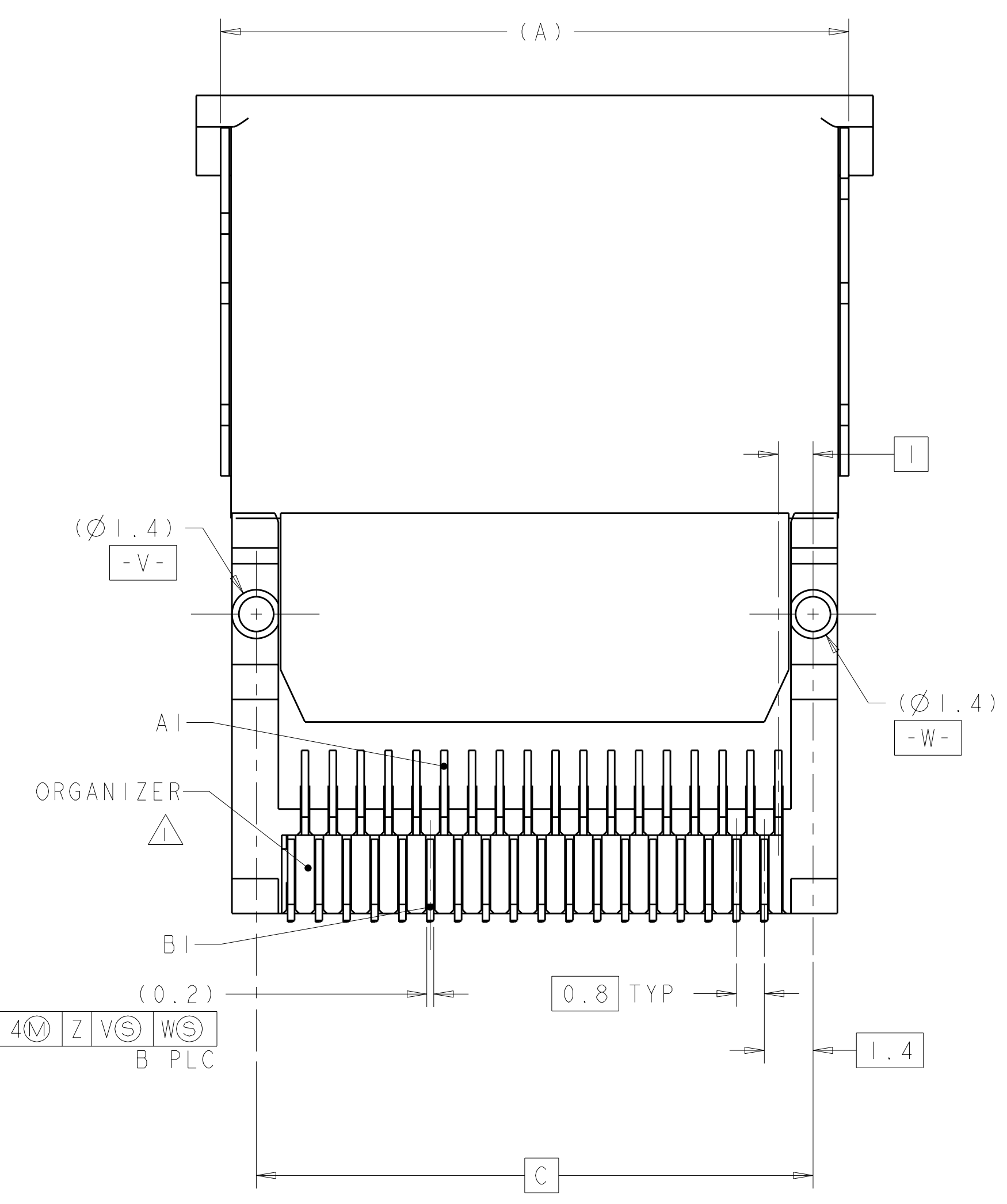
DIMENSIONS: mm 		TOLERANCES UNLESS OTHERWISE SPECIFIED: 9 PLC ± 1 PLC ± 5 PLC ± 4 PLC ± ANGLES ± FINISH ±		DWN B. MCMASTER 21FEB07 CHK D. GORENC 21FEB07 APVD D. GORENC 21FEB07		Tyco Electronics Harrisburg, PA 17105-3608	
MATERIAL: SEE NOTES		FINISH: SEE TABLE		NAME: EVERCLEAR Mini-SAS RIGHT ANGLE, INTERNAL RECEPTACLE ASSEMBLY, WITH UNKEYED SHELL		SIZE: CAGE CODE: DRAWING NO: A100779C=1888861	
CUSTOMER DRAWING				WEIGHT: -		SCALE: 8:1 SHEET 1 OF 3 REV: B2	

LOC	DIST	REVISIONS					
GP	00	P	LTG	DESCRIPTION	DATE	DWN	APVD
		-	-	SEE SHEET 1	-	-	-

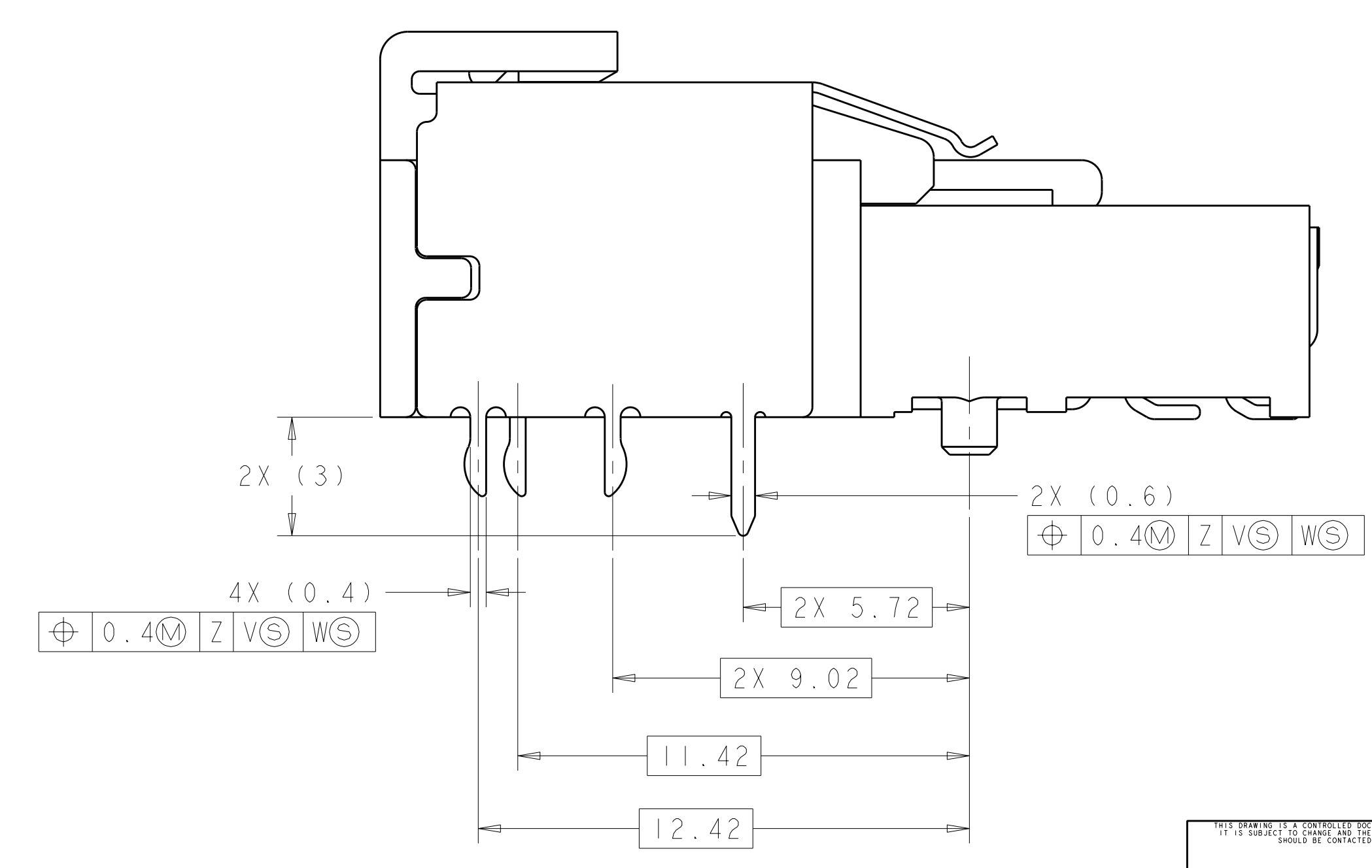


6X (0.6)

⊕ 0.4M Z V S W S



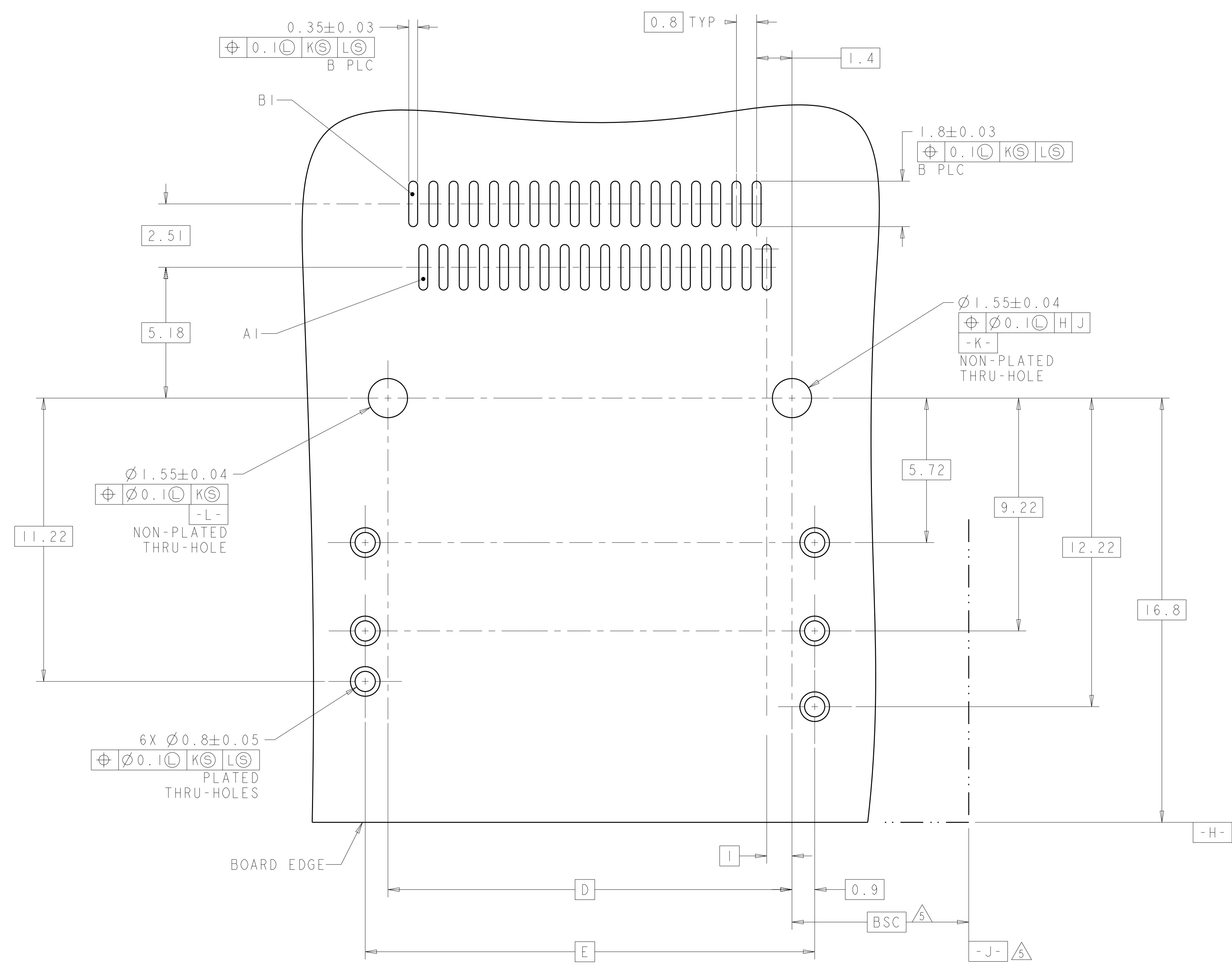
1888861-2
 PICK AND PLACE DEVICE OMITTED FOR CLARITY



1888861-4
 SAME AS 1888861-2 EXPECT AS SHOWN

DIMENSIONS: mm 		TOLERANCES UNLESS OTHERWISE SPECIFIED: 9 PLC ± 5 PLC ± 4 PLC ± ANGLES ±		DWN B. MCMASTER 21FEB07 CHK D. GORENC 21FEB07 APVD D. GORENC 21FEB07		Tyco Electronics Harrisburg, PA 17105-3608	
MATERIAL: SEE NOTES FINISH: SEE TABLE		PRODUCT SPEC: 108-2234 APPLICATION SPEC:		NAME: EVERCLEAR Mini-SAS RIGHT ANGLE, INTERNAL RECEPTACLE ASSEMBLY, WITH UNKEYED SHELL		SIZE: CAGE CODE DRAWING NO. RESTRICTED TO: A100779C=1888861	
CUSTOMER DRAWING		SCALE: 5:1		SHEET 2 OF 3		REV: B2	

LOC	DIST	REVISIONS					
GP	00	P	LTB	DESCRIPTION	DATE	DWN	APVD
		-	-	SEE SHEET 1	-	-	-



RECOMMENDED PCB LAYOUT
 SCALE 10:1

<small>THIS DRAWING IS UNPUBLISHED. IT IS SUBJECT TO CHANGE WITHOUT NOTICE AND WITHOUT LIABILITY. THE USER SHALL BE RESPONSIBLE FOR VERIFYING THE DIMENSIONS AND TOLERANCES OF THE PARTS AND ASSEMBLIES BEFORE USE.</small>		DWN: B. MCMASTER 21FEB07 CHK: D. GORENC 21FEB07 APVD: D. GORENC 21FEB07	Tyco Electronics Harrisburg, PA 17105-3608
DIMENSIONS: mm 	TOLERANCES UNLESS OTHERWISE SPECIFIED: 9 PLC ± 8 PLC ± 5 PLC ± 4 PLC ± ANGLES ±	NAME: EVERCLEAR Mini-SAS RIGHT ANGLE, INTERNAL RECEPTACLE ASSEMBLY, WITH UNKEYED SHELL PRODUCT SPEC: 108-2234 APPLICATION SPEC:	SIZE: A CAGE CODE: 100779 DRAWING NO: C-1888861 RESTRICTED TO:
MATERIAL: SEE NOTES	FINISH: SEE TABLE	WEIGHT: - CUSTOMER DRAWING	SCALE: 5:1 SHEET: 3 OF 3 REV: B2