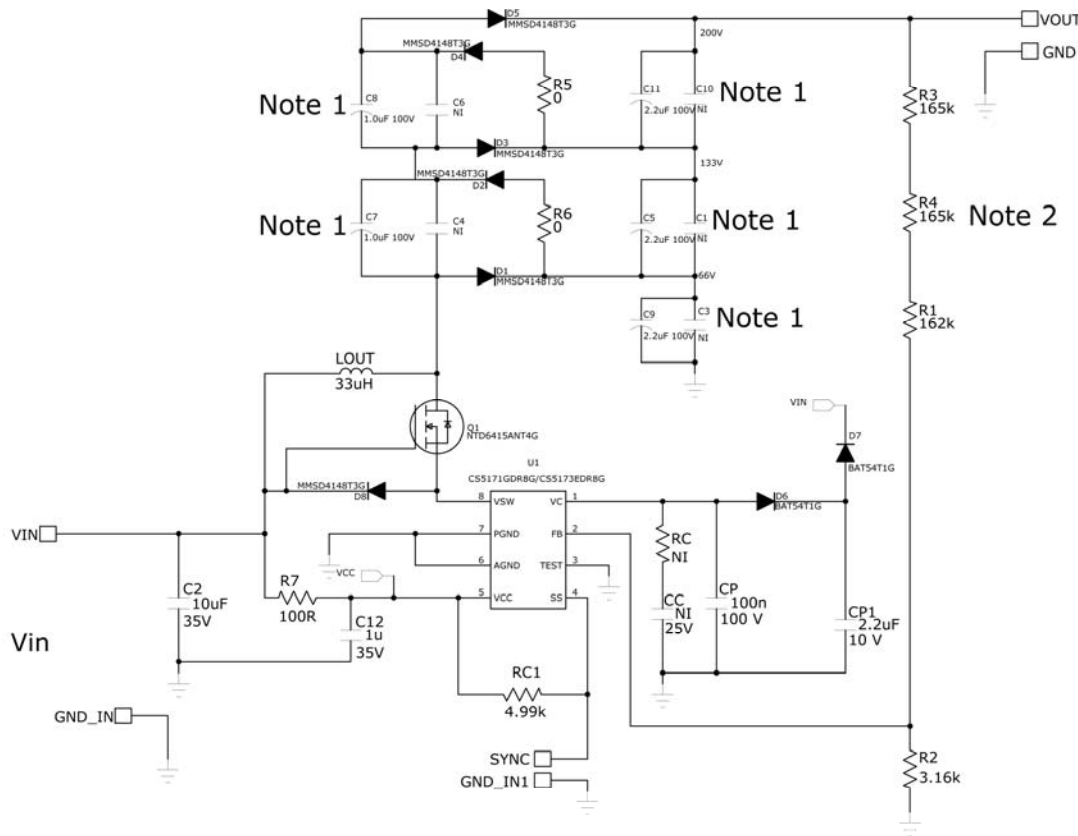


Schematic for the CS5171HVBSTGEVB Evaluation Board



Note 1: The designer should choose either an electrolytic capacitor or a ceramic capacitor both are not required

Note 2: The three resistors are used to set the proper output voltage $1.276 * (1 + ((165 + 165 + 162) / 3.16)) = 199.94V$